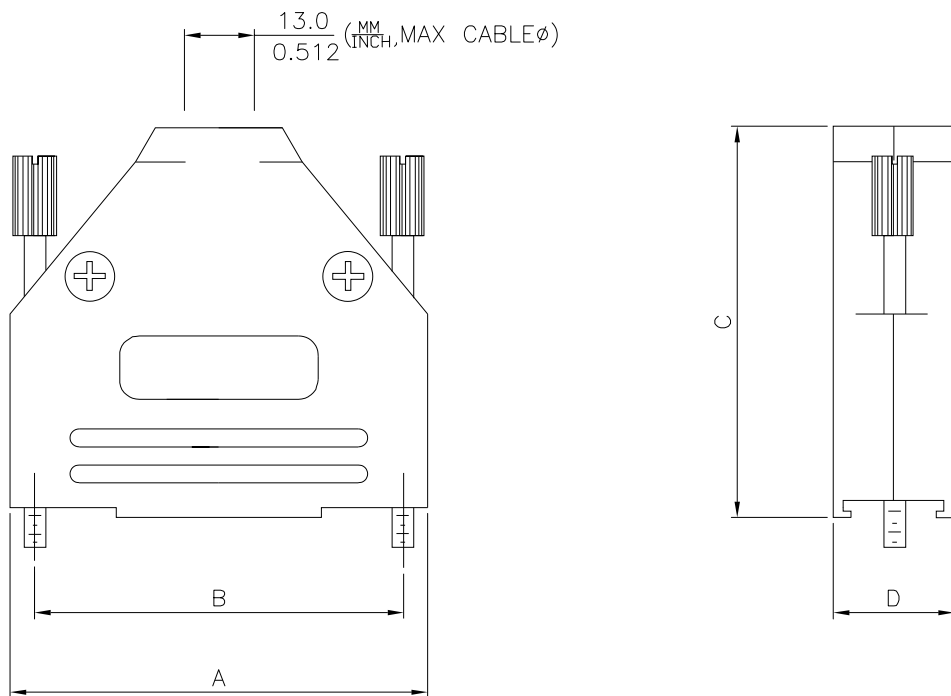




THE DATASHEET OF
970-009-020R121





PLASTIC: ABS UL 94-HB RATED
 PLATING: NICKEL PLATED
 JACKSCREWS: STEEL-ZINC PLATED
 M3 HOODSCREWS: STEEL-ZINC PLATED
 COMPRESSION INSERTS: ABS UL 94-HB RATED
 M3 NUTS: STEEL-ZINC PLATED
 OPERATING TEMP: -30°C TO +90°C

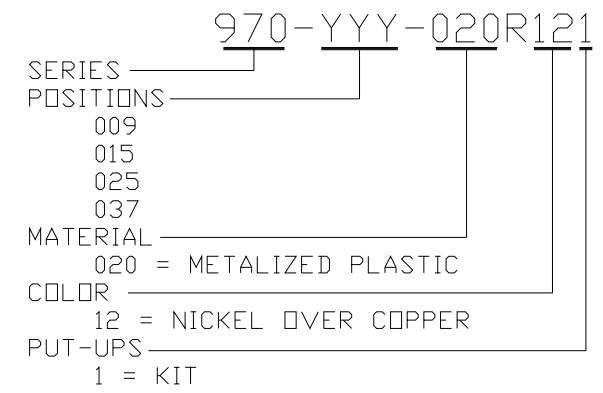
BACKSHELL KIT INCLUDES:
 (2)BACKSHELL HALVES
 (2)4-40 THUMBSCREWS
 (2)HOUSING SCREWS & (2)NUTS
 (1)SET OF COMPRESSION INSERTS-VARIOUS SIZES
 DIAMETERS:4mm(.157"),5mm(.197"),7mm(.276"),9mm(.351")

NOTE: 37 POSITION HAS (4) HOUSING SCREWS & (4)NUTS

**NOTE: 3 in-lbs IS RECOMMEND TORQUE FOR HOUSING SCREWS

* UNLESS OTHERWISE SPECIFIED TOLERANCES ON DECIMAL IS:

DIMENSIONS(mm/in)								
SIZE	A		B		C		D	
	MM	(±0.50)	MM	(±0.50)	MM	(±0.50)	MM	(±0.50)
	INCH	(±0.02)	INCH	(±0.02)	INCH	(±0.02)	INCH	(±0.02)
9	MM	31.50	MM	24.99	MM	40.50	MM	15.00
	INCH	1.240	INCH	0.984	INCH	1.594	INCH	0.591
15	MM	40.00	MM	33.32	MM	40.50	MM	15.00
	INCH	1.575	INCH	1.312	INCH	1.594	INCH	0.591
25	MM	54.00	MM	47.04	MM	49.50	MM	15.00
	INCH	2.126	INCH	1.852	INCH	1.949	INCH	0.591
37	MM	70.50	MM	63.50	MM	54.50	MM	16.00
	INCH	2.776	INCH	2.500	INCH	2.146	INCH	0.630



RoHS COMPLIANT

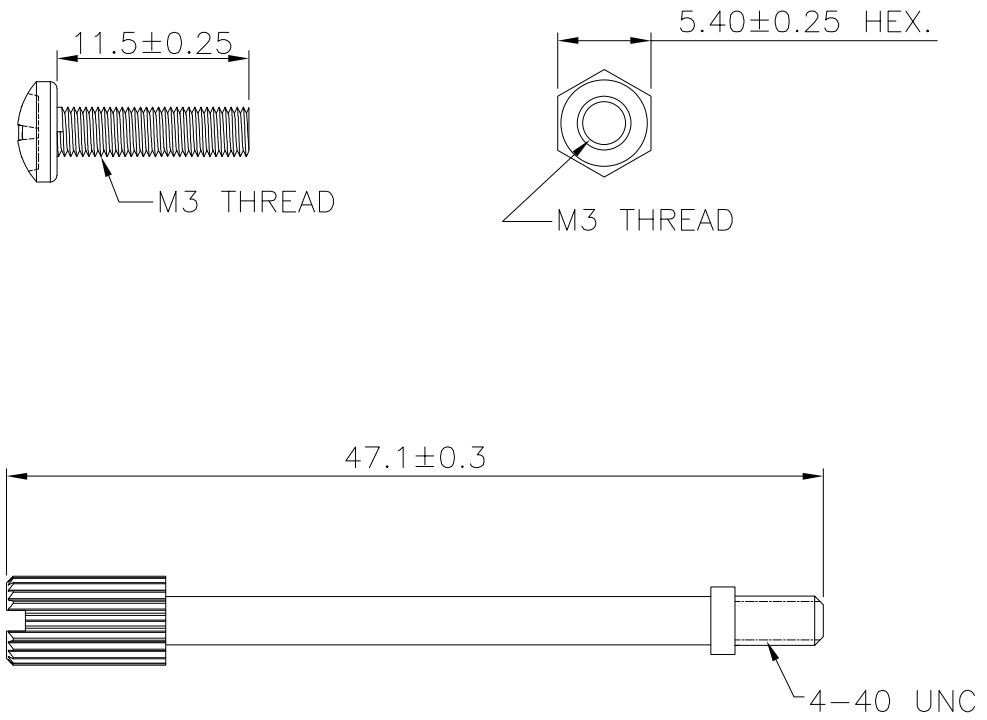
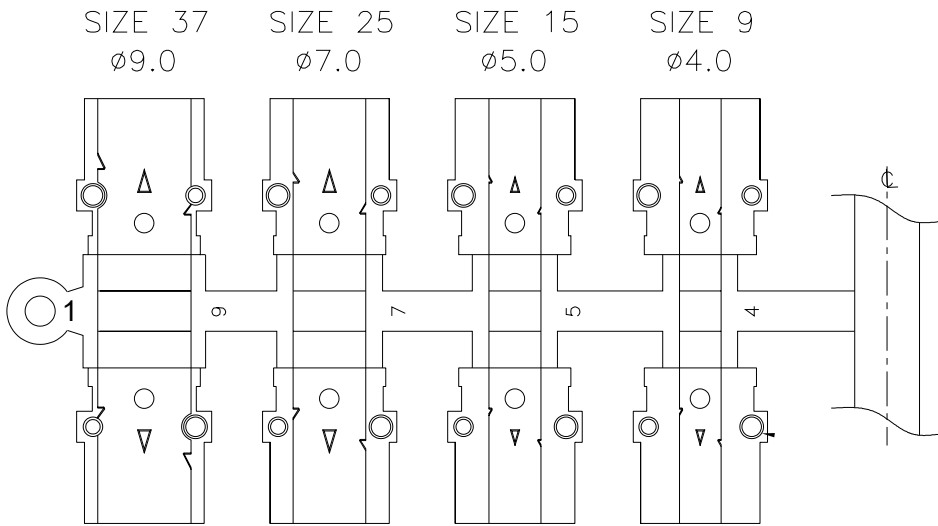
UNITS = "as specified" DO NOT SCALE FROM DRAWING

NC THESE DRAWINGS AND SPECIFICATIONS ARE THE PROPERTY OF NorComp AND SHALL NOT BE REPRODUCED, COPIED OR USED AS THE BASIS FOR THE MANUFACTURE OR SALE OF APPARATUS WITHOUT WRITTEN PERMISSION.

DRAWN: PAM JENKINS
 DATE: 06/09/2005

NorComp

SCALE: NTS SHEET 1 OF 2 REV 16
 DWG NO. 970-YYY-020R121



RoHS COMPLIANT



THESE DRAWINGS AND SPECIFICATIONS ARE THE PROPERTY OF NorComp AND SHALL NOT BE REPRODUCED, COPIED OR USED AS THE BASIS FOR THE MANUFACTURE OR SALE OF APPARATUS WITHOUT WRITTEN PERMISSION.

DRAWN:
PAM JENKINS

DATE:
06/09/2005

UNITS = mm

DO NOT SCALE FROM DRAWING

NorComp

SCALE: NTS	SHEET 2	OF 2	REV 16
DWG NO.		970-YYY-020R121	

Looking for pricing, stock, or lifecycle information?

Click below to explore more details on WIN SOURCE:

 [View 970-009-020R121 on WIN SOURCE](#)

 [NorComp Inc. Information](#)

Optimize Your Supply Chain with WIN SOURCE Solutions

-  Global Sourcing Solution
-  Obsolete Management
-  Cost Control Management
-  Shortage Management
-  Alternative Solution
-  Excess Inventory Management