



THE DATASHEET OF
1018C

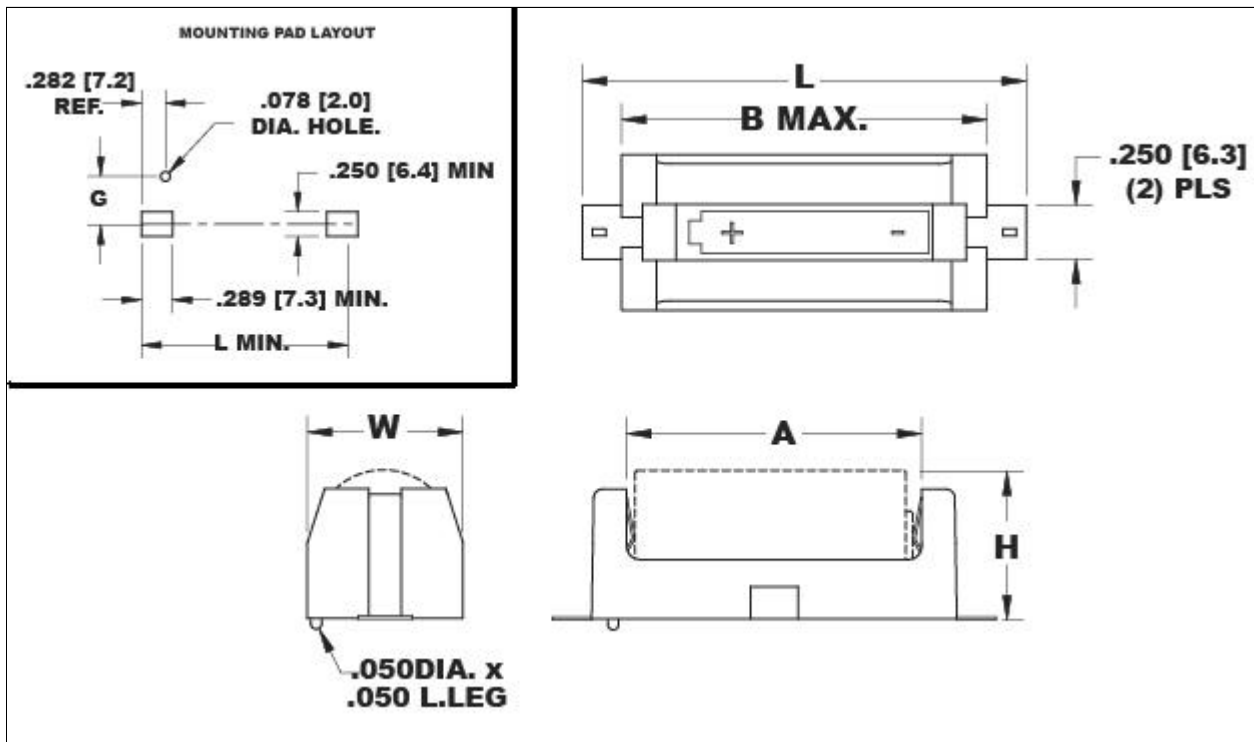




PCB Plastic Battery Holders and Retainer Covers

Accommodates "1/2 AA" ; "2/3 A" and "AA" Size Batteries

Surface Mountable, Low Profile

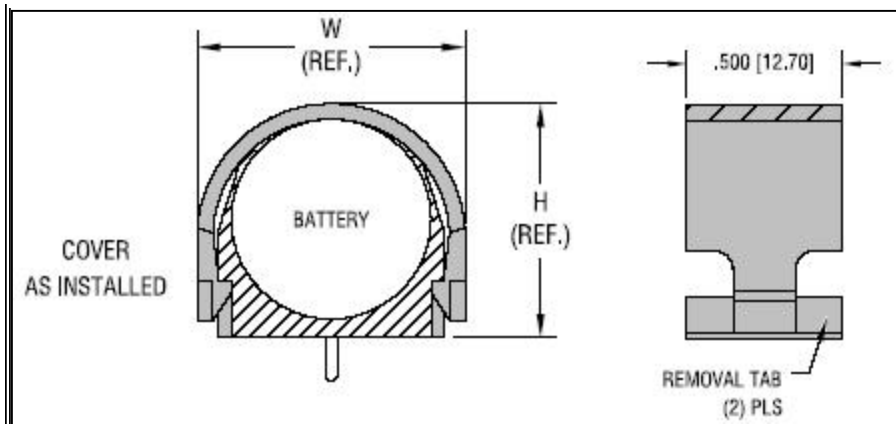


Cat. No. Holders	Size & Type	Dims.	A	B (max)	H (ref dim)	G	L	W	Tape & Reel	Pcs per Reel
1016	1/2 AA	inch (mm)	1.030 [26.2]	1.360 [34.5]	.603 [15.3]	.265 [6.7]	1.713 [43.5]	.612 [15.5]	1016TR	125
1018	2/3 A	inch (mm)	1.375 [34.9]	1.700 [43.2]	.682 [17.3]	.319 [8.1]	1.985 [50.4]	.720 [18.3]	1018TR	100
1024	AA	inch (mm)	2.040 [51.8]	2.359 [59.9]	.603 [15.3]	.265 [6.7]	2.711 [68.9]	.612 [15.5]	1024TR	125

Contacts: .012" [0.3mm] Phosphor Bronze, Gold Flash Plate

Base Material: Heat Resistant Nylon, UL rated 94V-0

Temp. Range: -60°F to +293°F (-50°C to +145°C)



Retainer Cover Material: PBT, UL rated 94V-0

Temp. Range: -60°F to +293°F (-50°C to +145°C)

Cover only Cat. No.	For Holder	H	W
1018C	1018	.750 [19.1]	.860 [21.8]
1024C	1016 & 1024	.744 [18.9]	.681 [17.3]

Battery Cross Reference		
Cat. No. 1016 (1/2AA Size)	Cat. No. 1024 (AA Size)	Cat. No. 1018 (2/3A Size)
Eveready 544, Duracell PX28L, Kodak K28A & KS28, Panasonic CR14250, Saft LCP3, Electrochem 3B955, Maxell 4LR44, Sanyo CR14250SE	Eveready E9, EV15, E91, E177, 505, 1015, Duracell ZM9, NC 15, M15F, TR177, M505, MN1500, PC1500, Panasonic UM-3 & P-45AA, Sanyo N-600AA & N-700AA, Rayovac 5AA, 7AA, 615, 815	Duracell DL2/3A, Electrochem 3B793 & 3B950, Kodak K123L, Panasonic CR123A, Saft 450SC & VR0450, Sanyo CR17335SE
Battery Reference Dimensions		
1/2 AA	AA	2/3A
.57 [14.5mm] Diameter x .97 [24.6mm] Length	.57 [14.5mm] Diameter x 1.98 [50.3mm] Length	.67 [17.0] Diameter x 1.31 [33.3] Length



[Technical Bulletin for Solderability - Gold Plate](#)

[Click to Request Samples](#)

[VIEW PRODUCT OVERVIEW](#)

Looking for pricing, stock, or lifecycle information?

Click below to explore more details on WIN SOURCE:

-  [View 1018C on WIN SOURCE](#)
-  [Keystone Electronics Information](#)

Optimize Your Supply Chain with WIN SOURCE Solutions

-  Global Sourcing Solution
-  Obsolete Management
-  Cost Control Management
-  Shortage Management
-  Alternative Solution
-  Excess Inventory Management