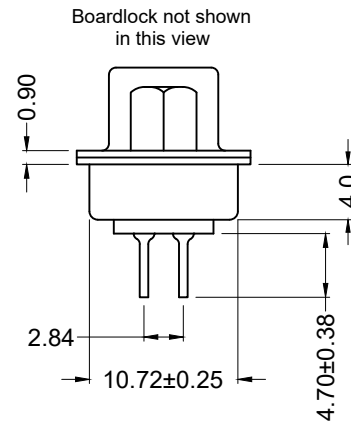
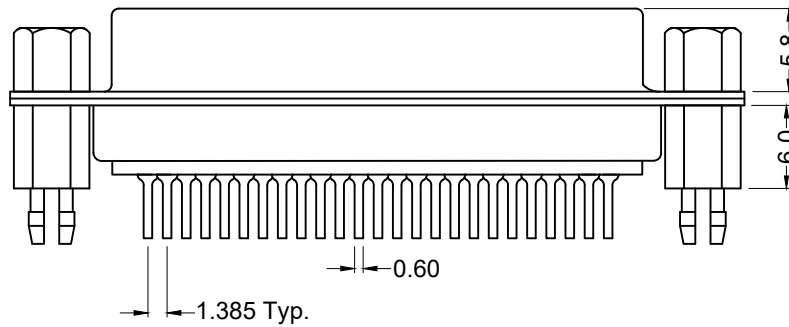
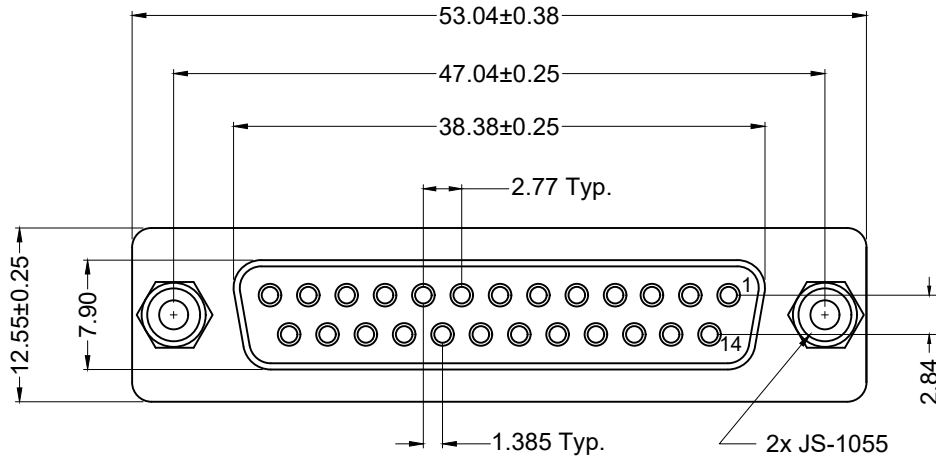


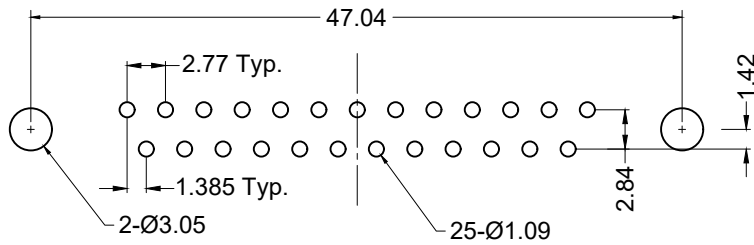


**THE DATASHEET OF
K85X-BD-25S-BRJ**





Recommended PCB Layout



Part Number	Contact Area Plating Finish
K85X-BD-25S-BRJ	Gold Flash (standard)
K85X-BD-25S-BRJ15	15u" Gold (15 option)
K85X-BD-25S-BRJ30	30u" Gold (30 option)

Material and Finish

Shell: steel, nickel plated
 Insulator: PBT with glass-fiber reinforcement, UL 94V-0 rated, color-black

Contact Material:
 Socket: Brass

Contact Plating:

Standard:
 Gold flash on mating end, tin on termination end, with entire contact nickel underplated

-15 Option:
 15u" gold on mating end, tin on termination end, with entire contact nickel underplated

-30 Option:
 30u" gold on mating end, tin on termination end, with entire contact nickel underplated

Electrical Specifications

Rated Current: 2A
 Rated Voltage: 30V RMS
 Withstanding Voltage:
 500V (rms) AC for 1 minute
 Insulation Resistance:
 more than 1000 Megohm at 500V DC
 Contact Resistance:
 13 milliohm max.
 Dielectric Strength:
 1000V for 1 minute
 Operating Temperature:
 -55°C to +105°C

Tolerances

X.X ± 0.25
 X.XX ± 0.15
 Unless Stated Otherwise



REV.	DATE	DESCRIPTION	REV. BY	CHK. BY	DRAWN BY	DATE
A0	3/14/05	New Drawing	H. MA	C. Furumasu	H. MA	3/14/05
A1	4/14/05	Release Drawing	H. MA	N/A		
A2	1/8/08	ECO #07-052	WILL H.	H. MA		
A3	12/31/17	ECO #17-030	J. Elbanna	C. Furumasu		
A4	09/23/25	ECO #25-061	K.Wang	C.Kelleher		

K85X-BD-25S-BRJ

Vertical PCB Mount D-Sub, 25 Pin Female,
 Boardlocks w J/S, RoHS Compliant



Looking for pricing, stock, or lifecycle information?

Click below to explore more details on WIN SOURCE:

 [View K85X-BD-25S-BRJ on WIN SOURCE](#)

 [Kycon, Inc. Information](#)

Optimize Your Supply Chain with WIN SOURCE Solutions

-  Global Sourcing Solution
-  Obsolete Management
-  Cost Control Management
-  Shortage Management
-  Alternative Solution
-  Excess Inventory Management