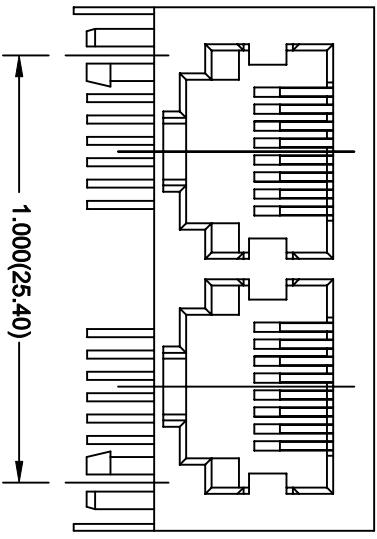




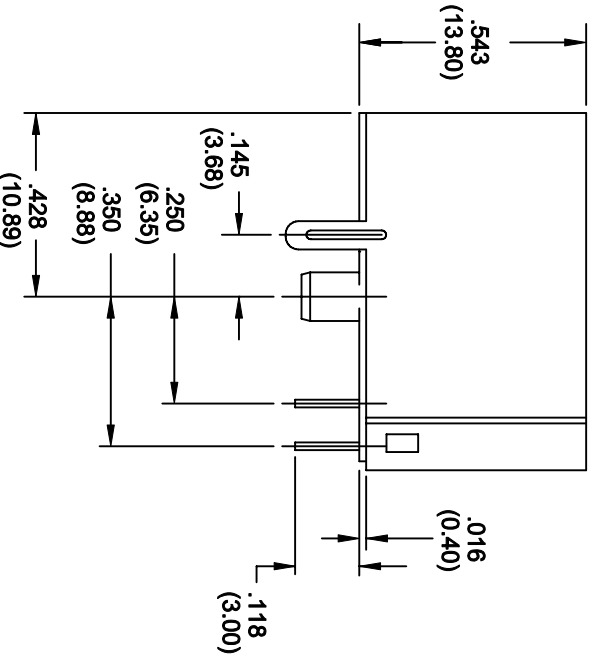
**THE DATASHEET OF
A00-216-262-450**



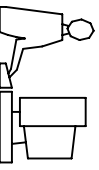
1.225(31.12)



.837
(21.27)



THIS IS A C.A.D. GENERATED DRAWING
DO NOT MAKE MANUAL REVISIONS TO MASTER.



ISSUE NUMBER
ORIGINAL ①
.067 DIA HOLE WAS .032 F.BRIONES JUL. 27/06 ③
CONTACT IDENTIFICATION ADDED F.BRIONES FEB. 19/07 ④

NOTES

MATERIAL AND FINISH:

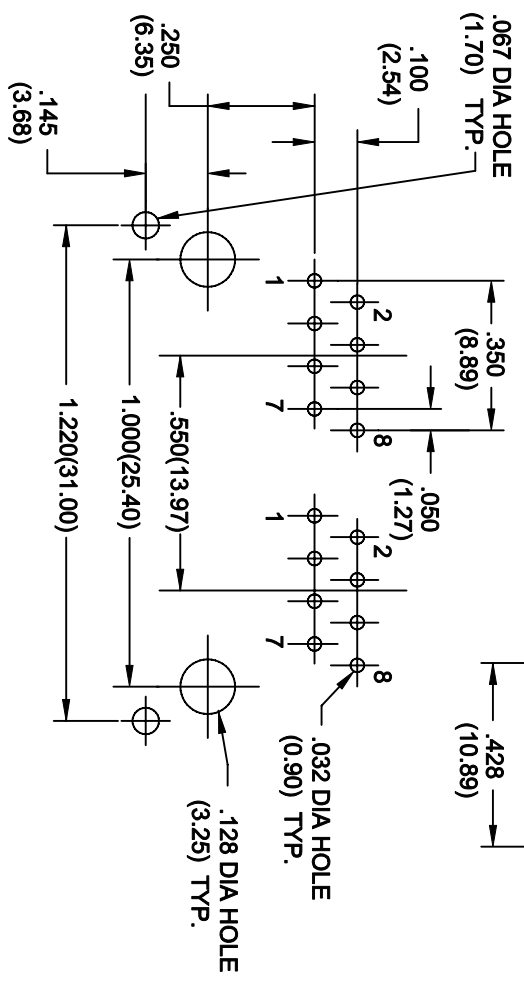
BODY: HOUSING: PBT POLYESTER
UL94V-0 RATED, MIXED GLASS FIBER.
STANDARD COLOR: BLACK

CONTACTS: PHOSPHOR BRONZE(0.45mm DIA.)
PLATED AS PER PART NO. TABLE

SHIELD: 0.23mm THICK COPPER ALLOY
PLATED NICKEL

CAVITY CONFORMS TO FCC RULES AND
REGULATIONS PART 68, SUBPART F

- AOO-216-262-450 GOLD FLASH
- AOO-216-362-450 15 MICRONS OF GOLD
- AOO-216-662-450 30 MICRONS OF GOLD
- AOO-216-962-450 50 MICRONS OF GOLD



PC BOARD LAYOUT

DUAL 8P FULL SHIELDED JACK (GROUND AT FRONT)

EDAC INC TORONTO, ONTARIO CANADA		THESE DRAWINGS AND SPECIFICATIONS ARE THE PROPERTY OF EDAC INC. AND SHALL NOT BE REPRODUCED, OR COPIED OR USED AS THE BASIS FOR THE MANUFACTURE OR SALE OF APPARATUS WITHOUT WRITTEN PERMISSION.	
YOUR CONNECTION TO QUALITY & SERVICE		ACAD REF. DRAWING:	A00-216-262-450
DRAWN: F.BRIONES		DATE:	SEP. 17/01
CHECKED:	SCALE: 1:1	SHEET 1 OF 1	ISSUE 4
DRAWING NUMBER		A00-216-262-450	



THIS SERIES FULLY CONFORMS TO THE
EUROPEAN UNION DIRECTIVES 2002/95/EC
AND 2002/96/EC FOR ROHS COMPLIANCY.

Looking for pricing, stock, or lifecycle information?

Click below to explore more details on WIN SOURCE:

 [View A00-216-262-450 on WIN SOURCE](#)

 [EDAC Inc. Information](#)

Optimize Your Supply Chain with WIN SOURCE Solutions

-  Global Sourcing Solution
-  Obsolete Management
-  Cost Control Management
-  Shortage Management
-  Alternative Solution
-  Excess Inventory Management