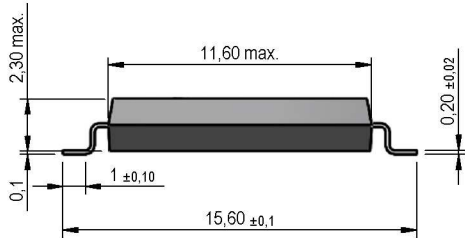


Dimensions mm[inch]

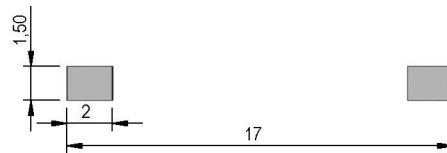
tolerances according to DIN ISO 2768-m
Toleranzen gem. DIN ISO 2768-m

Isometric

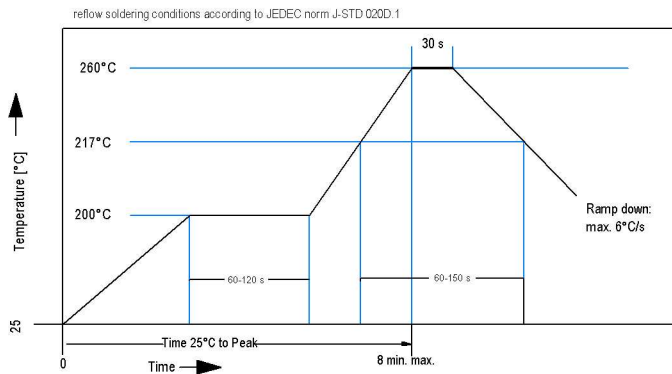
Scale 2:1
Maßstab 2:1



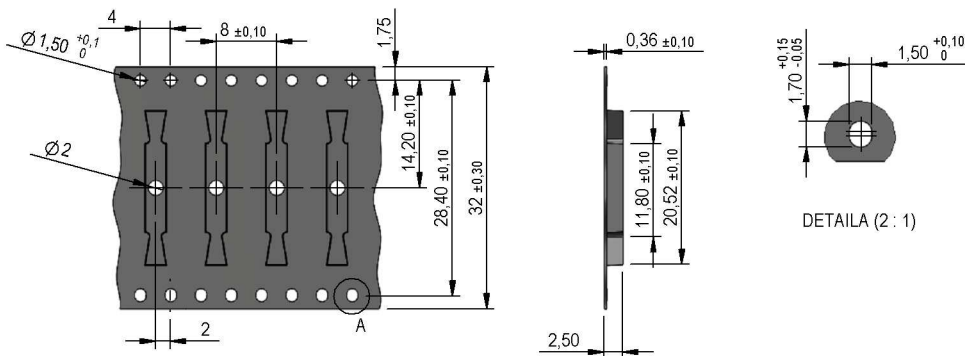
Recommended Pad Layout



Solder Reflow Profile



Packaging





Europe: +49 / 7731 8399 0

| Email: info@standexmeder.com

Item No.:

USA: +1 / 508 295 0771

| Email: salesusa@standexmeder.com

9221350022

Asia: +852 / 2955 1682

| Email: salesasia@standexmeder.com

Item:

MK22-B-2

Magnetic properties	Conditions	Min	Typ	Max	Unit
Pull-In	at 20°C	18		63	AT
Test equipment		KMS-11+AP038			

Contact data 35	Conditions	Min	Typ	Max	Unit
Contact - No.		35			
Contact - form		A - NO			
Contact rating	Any DC combination of V & A not to exceed their individual max.'s			20	W
Switching voltage	DC or Peak AC			200	VDC
Switching current	DC or Peak AC			1	A
Carry current	DC or Peak AC			1,25	A
Contact resistance static	Measured with 40% overdrive Start Value			150	mOhm
Breakdown voltage (>=10AT)	according to IEC 255-5	320			VDC

Special Product Data	Conditions	Min	Typ	Max	Unit
Housing material		mineral-filled epoxy			
Case color		black			

Environmental data	Conditions	Min	Typ	Max	Unit
Shock	1/2 sine wave duration 11ms			50	g
Vibration	from 10 - 2000 Hz			20	g
Operating temperature		-40		130	°C
Storage temperature		-55		130	°C
Washability		fully sealed			

General data	Conditions	Min	Typ	Max	Unit
total length - SMD			15,6		mm

Modifications in the sense of technical progress are reserved

Designed at: 11.09.08 Designed by: WKOVACS

Approval at: 28.07.09 Approval by: TFRITSCHI



Last Change at: 07.12.16 Last Change by: WKOVACS

Approval at: 08.12.16 Approval by: MREIZNER

Rev. No.: 11

Looking for pricing, stock, or lifecycle information?

Click below to explore more details on WIN SOURCE:

-  [View MK22-B-2 on WIN SOURCE](#)
-  [Standex-Meder Electronics](#) Information

Optimize Your Supply Chain with WIN SOURCE Solutions

-  Global Sourcing Solution
-  Obsolete Management
-  Cost Control Management
-  Shortage Management
-  Alternative Solution
-  Excess Inventory Management