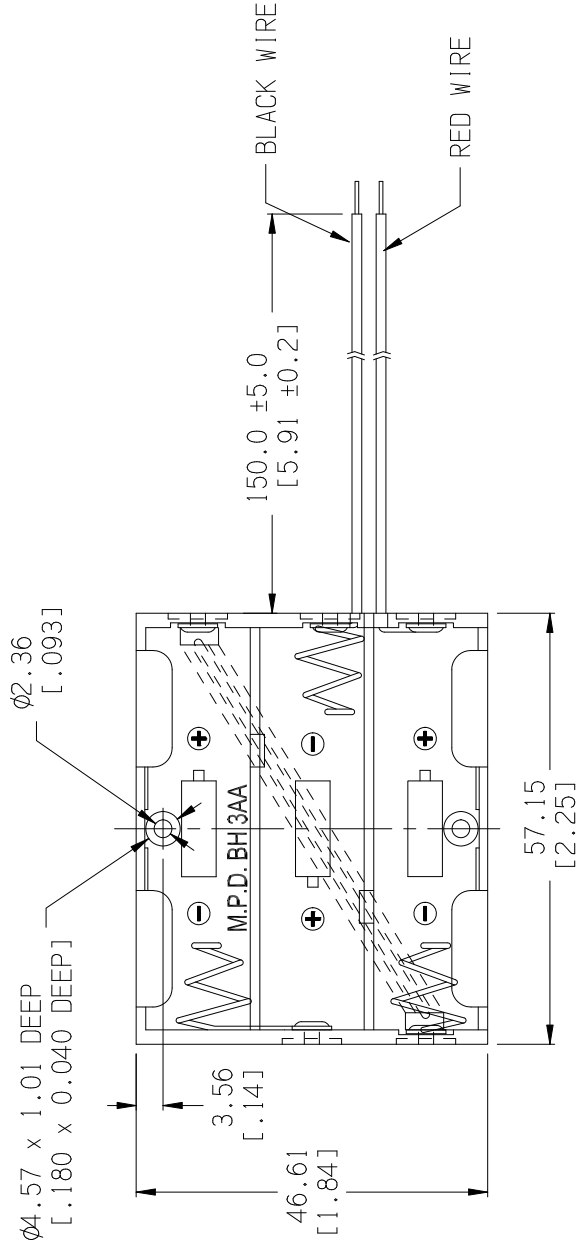


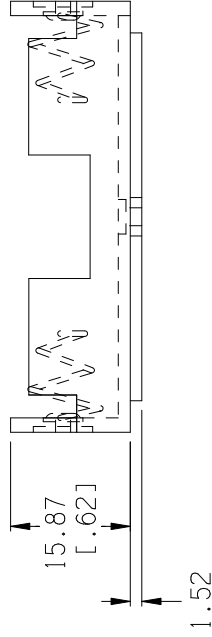
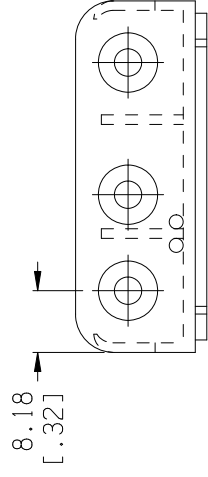


Date	SYM
12/26/03	A
03/29/13	B

Ø4.57 x 1.01 DEEP  
[.180 x 0.040 DEEP]



MOUNTING IN  
USE 2-55  
EYELETS  
STIMPSO  
ALSO AD  
TAPES



NOTES:

MATERIAL:  
HOUSING: IMPACT RESISTANCE NYLON #6, BLACK, UL 94V-0,  
MATERIAL FILE #UL E 48285  
SPRING: SPRING STEEL, NICKLE PLATED  
CONTACTS: SPRING STEEL, NICKLE PLATED  
EYELETS: BRASS, NICKLE PLTD.  
JUMPER: #24 AWG, 2.5" LONG  
WIRES: A.W.N. 80°C V W-1 PACIFIC CSA TR-64 90°C 24AWG,  
300V, 1007 E41396 UL, 24 AWG PVC3  
ROHS 2 COMPLIANT

Tolerance (Inches)	Memory Prote 200 Broad Hollow Ro
Decimal	
Fractional	Title
Angular	Date
± .5 ( .020 )	03/29/13
± .8 ( .030 )	Drawing Nu
± 3°	BH

## Looking for pricing, stock, or lifecycle information?

Click below to explore more details on WIN SOURCE:

- ⊖ [View BH3AAW](#) on WIN SOURCE
- ⊖ [MPD \(Memory Protection Devices\)](#) Information

## Optimize Your Supply Chain with WIN SOURCE Solutions

- ✓ Global Sourcing Solution
- ✓ Obsolete Management
- ✓ Cost Control Management
- ✓ Shortage Management
- ✓ Alternative Solution
- ✓ Excess Inventory Management