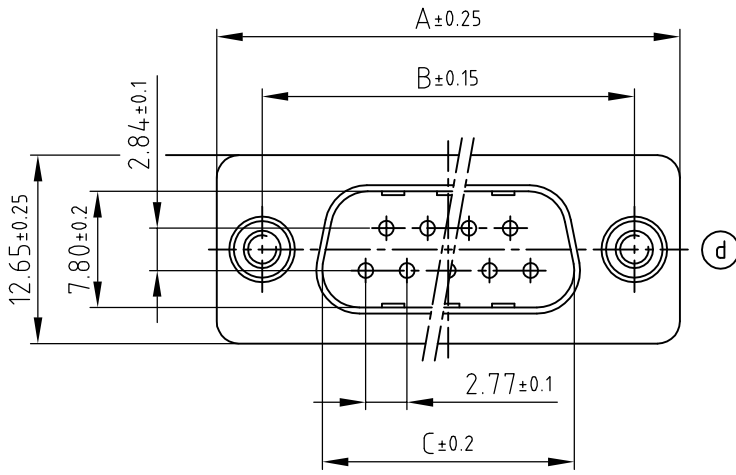


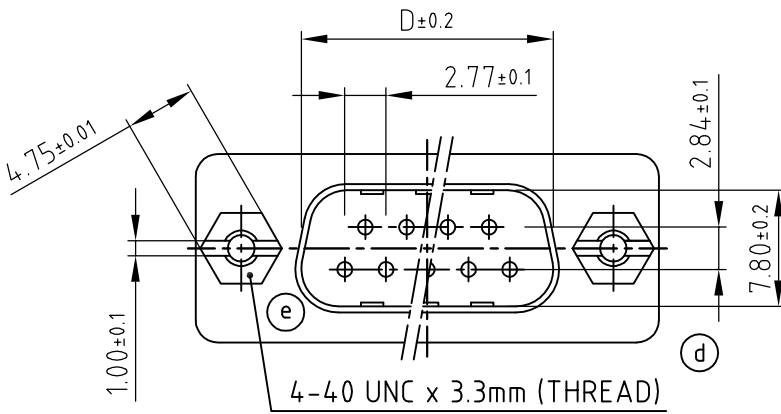
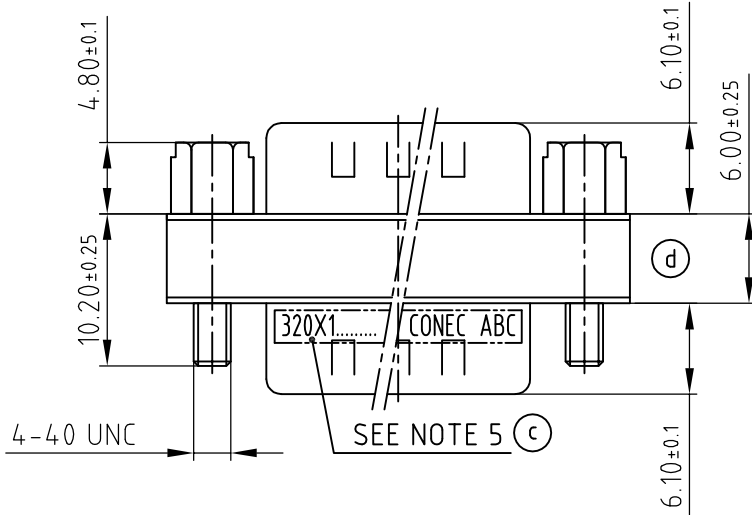


THE DATASHEET OF
320X12509X





POS.	A ± 0.25	B ± 0.15	C ± 0.2	D ± 0.2	Part NO.
9	31.11	25.00	16.92	16.92	320X12509X
15	39.51	33.28	25.25	25.25	320X12529X
25	53.35	47.04	39.06	39.06	320X10549X
37	69.65	63.50	55.42	55.42	320X12549X



(d) (c)
SPECIFICATION:

1. SHELL: TIN PLATED SHELL
2. INSULATOR: PBT GLASS FIBRE REINFORCED UL 94 V0 (b) (d)
3. CONTACTS: BRASS
4. CONTACT PLATING: GOLD PLATED over NICKEL
5. CONNECTOR IS PART MARKED: PART-NO. CONEC ABC

Directive 2002/95/EC RoHS compliant

THIS DRAWING MAY NOT BE COPIED OR REPRODUCED IN ANY WAY, AND MAY NOT BE PASSED ON TO A THIRD PARTY WITHOUT WRITTEN PERMISSION. OWNERSHIP AND COPYRIGHT OF CONEC GmbH DO NOT ALTER CAD DRAWING BY HAND

rev.	description	date	name
1 x e	Ä4765	28.05.2013	K.H.
6 x d	Ä4520	30.10.2012	Lehm.
2 x c	Ä4459	13.09.2012	Lehm.
1 x b	Ä2202	07.04.2005	HS
a	Original		

General tolerance		
.X	±0.2	
.XX	±0.15	
.XXX	±0.05	

2002	date	name
drawn	30.04.	Parei
appd.	30.04.	E.Mickenbecker

scale:	2:1	
material:	SEE SPECIFICATION	
title:	GENDER CHANGER 2 x PLUG CONNECTOR 9-37pos.	
dwg no:	16K1A557	DIN-A 3 sh:1/1
part no:	SEE TABLE	

Looking for pricing, stock, or lifecycle information?

Click below to explore more details on WIN SOURCE:

 [View 320X12509X on WIN SOURCE](#)

 [Manufacturer Information](#)

Optimize Your Supply Chain with WIN SOURCE Solutions

-  Global Sourcing Solution
-  Obsolete Management
-  Cost Control Management
-  Shortage Management
-  Alternative Solution
-  Excess Inventory Management