



**THE DATASHEET OF
IMC1210SY560K**



Wirewound, Surface Mount Molded Inductors



STANDARD ELECTRICAL SPECIFICATIONS						
IND. (μH)	TOL.	TEST FREQ. (MHz)	Q MIN.	SRF MIN. (MHz)	DCR MAX. (Ω)	RATED DC CURRENT (mA) ⁽¹⁾
		L & Q				
0.010	20 %	50	30	1000	0.13	734
0.012	20 %	50	30	1000	0.14	707
0.015	20 %	50	30	1000	0.16	661
0.018	20 %	50	30	1000	0.18	624
0.022	20 %	50	30	1000	0.20	592
0.027	20 %	50	30	1000	0.22	564
0.033	20 %	50	30	1000	0.24	540
0.039	20 %	50	30	1000	0.27	530
0.047	20 %	50	30	1000	0.30	483
0.056	20 %	50	30	1000	0.33	470
0.068	20 %	50	30	1000	0.36	450
0.082	20 %	50	30	900	0.40	450
0.10	20 %	50	30	700	0.44	450
0.12	20 %	25.2	30	500	0.22	584
0.15	20 %	25.2	30	450	0.25	548
0.18	20 %	25.2	30	400	0.28	518
0.22	20 %	25.2	30	350	0.32	484
0.27	20 %	25.2	30	320	0.36	456
0.33	20 %	25.2	30	300	0.40	453
0.39	20 %	25.2	30	250	0.45	450
0.47	20 %	25.2	30	220	0.50	450
0.56	20 %	25.2	30	180	0.55	450
0.68	20 %	25.2	30	160	0.60	450
0.82	20 %	25.2	30	140	0.67	450
1.0	10 %	7.96	30	120	0.70	400
1.2	10 %	7.96	30	100	0.75	390
1.5	10 %	7.96	30	85	0.85	370
1.8	10 %	7.96	30	80	0.90	350
2.2	10 %	7.96	30	75	1.0	320
2.7	10 %	7.96	30	70	1.1	290
3.3	10 %	7.96	30	60	1.2	260
3.9	10 %	7.96	30	55	1.3	250
4.7	10 %	7.96	30	50	1.5	224
5.6	10 %	7.96	30	45	1.6	217
6.8	10 %	7.96	30	40	1.8	204
8.2	10 %	7.96	30	38	2.0	194
10	10 %	2.52	30	33	2.1	189
12	10 %	2.52	30	30	2.5	173
15	10 %	2.52	30	21	2.8	164
18	10 %	2.52	30	20	3.3	151
22	10 %	2.52	30	19	3.7	145
27	10 %	2.52	30	18	5.0	122
33	10 %	2.52	30	16	6.0	112
39	10 %	2.52	30	15	7.0	104
47	10 %	2.52	30	14	9.0	91
56	10 %	2.52	30	12	10.0	87
68	10 %	2.52	30	11	11.0	83
82	10 %	2.52	30	10	12.0	79
100	10 %	0.796	20	9	14.0	73
120	10 %	0.796	15	8	11.0	70
150	10 %	0.796	15	6.5	15.0	65
180	10 %	0.796	15	6	17.0	60
220	10 %	0.796	15	6	21.0	50

Note

(1) Rated DC current based on the maximum temperature rise, not to exceed 40 °C at +85 °C ambient

FEATURES

- Printed marking
- Molded construction provides superior strength and moisture resistance
- Compatible with vapor phase and infrared reflow soldering
- Tape and reel packaging for automatic handling, 2000/reel, EIA-481
- Material categorization: for definitions of compliance please see www.vishay.com/doc?99912



RoHS
COMPLIANT

ELECTRICAL SPECIFICATIONS

Inductance range: 0.01 μH to 220 μH

Special tolerances available upon request

Operating temperature: -55 °C to +125 °C

Coilform material: Non-magnetic from 0.01 μH to 0.10 μH

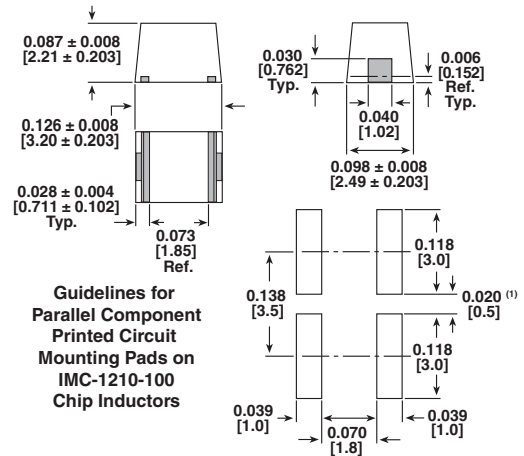
Powdered iron from 0.12 μH to 100 μH

Ferrite from 120 μH to 220 μH

TEST EQUIPMENT

- HP4342A Q meter with Vishay Dale test fixture or equivalent
- HP4191A RF impedance analyzer (for SRF measurements)
- Wheatstone bridge

DIMENSIONS in inches [millimeters]



Note
(1) Recommended spacing between components

PART MARKING

- Vishay Dale
- Inductance value
- Date code

DESCRIPTION				
IMC-1210	10 μH	± 10 %	ER	e3
MODEL	INDUCTANCE VALUE	INDUCTANCE TOLERANCE	PACKAGE CODE	JEDEC® LEAD (Pb)-FREE STANDARD

GLOBAL PART NUMBER				
I	M	C	1 2 1 0	E R 1 0 0 K
PRODUCT FAMILY			SIZE	PACKAGE CODE
			INDUCTANCE VALUE	TOL.



Disclaimer

ALL PRODUCT, PRODUCT SPECIFICATIONS AND DATA ARE SUBJECT TO CHANGE WITHOUT NOTICE TO IMPROVE RELIABILITY, FUNCTION OR DESIGN OR OTHERWISE.

Vishay Intertechnology, Inc., its affiliates, agents, and employees, and all persons acting on its or their behalf (collectively, "Vishay"), disclaim any and all liability for any errors, inaccuracies or incompleteness contained in any datasheet or in any other disclosure relating to any product.

Vishay makes no warranty, representation or guarantee regarding the suitability of the products for any particular purpose or the continuing production of any product. To the maximum extent permitted by applicable law, Vishay disclaims (i) any and all liability arising out of the application or use of any product, (ii) any and all liability, including without limitation special, consequential or incidental damages, and (iii) any and all implied warranties, including warranties of fitness for particular purpose, non-infringement and merchantability.

Statements regarding the suitability of products for certain types of applications are based on Vishay's knowledge of typical requirements that are often placed on Vishay products in generic applications. Such statements are not binding statements about the suitability of products for a particular application. It is the customer's responsibility to validate that a particular product with the properties described in the product specification is suitable for use in a particular application. Parameters provided in datasheets and / or specifications may vary in different applications and performance may vary over time. All operating parameters, including typical parameters, must be validated for each customer application by the customer's technical experts. Product specifications do not expand or otherwise modify Vishay's terms and conditions of purchase, including but not limited to the warranty expressed therein.

Except as expressly indicated in writing, Vishay products are not designed for use in medical, life-saving, or life-sustaining applications or for any other application in which the failure of the Vishay product could result in personal injury or death. Customers using or selling Vishay products not expressly indicated for use in such applications do so at their own risk. Please contact authorized Vishay personnel to obtain written terms and conditions regarding products designed for such applications.

No license, express or implied, by estoppel or otherwise, to any intellectual property rights is granted by this document or by any conduct of Vishay. Product names and markings noted herein may be trademarks of their respective owners.

Looking for pricing, stock, or lifecycle information?

Click below to explore more details on WIN SOURCE:

 [View IMC1210SY560K on WIN SOURCE](#)

 [Vishay Information](#)

Optimize Your Supply Chain with WIN SOURCE Solutions

-  Global Sourcing Solution
-  Obsolete Management
-  Cost Control Management
-  Shortage Management
-  Alternative Solution
-  Excess Inventory Management