



**THE DATASHEET OF  
9HT12-32.768KBZF-T**



## Features

- Frequency range : 32.768 kHz
- SMD : Ceramic package
- External dimensions (mm)  
L : 1.6 x W : 1.0 x H : 0.5
- RoHS compliant & Pb free

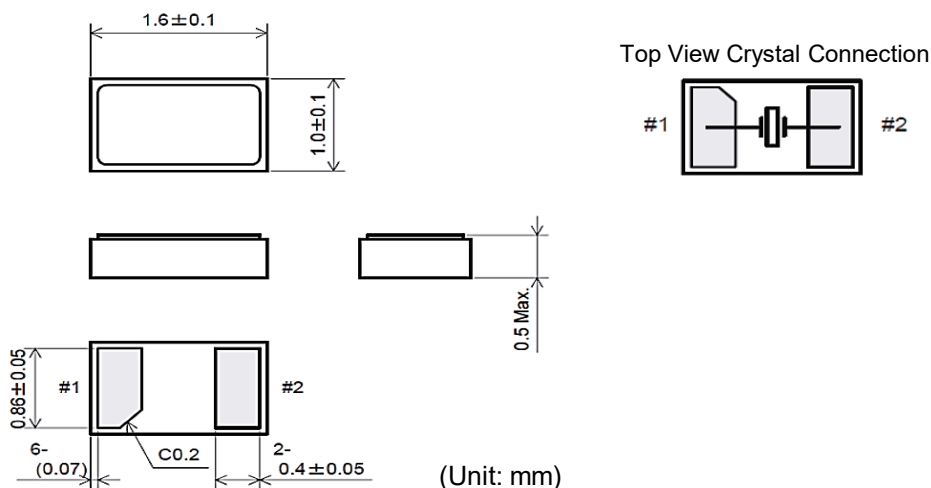
## Applications

- Smart phone
- Compact portable consumer devices
- Communication devices
- Consumer products

## Electrical Characteristics

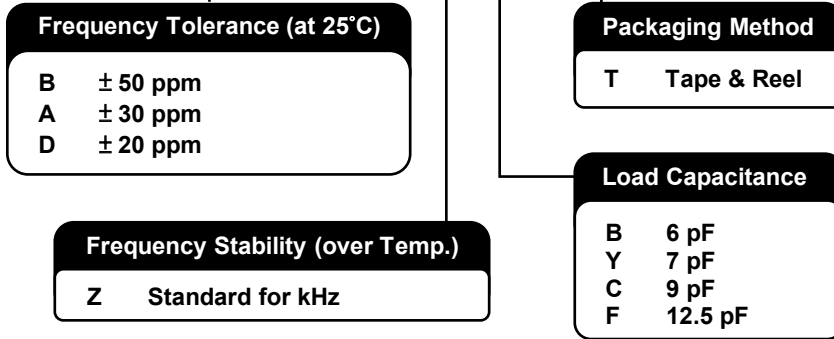
Item	Symbol	9HT12	Conditions
Nominal Frequency	$f_0$	32.768 kHz	
Frequency Tolerance	$\Delta f/f_0$	$\pm 20\text{ppm}$ , $\pm 30\text{ppm}$ , $\pm 50\text{ppm}$	at 25°C
Load Capacitance	$C_L$	6pF, 7pF, 9pF, 12.5pF	
Operating Temperature Range	$T_{OTR}$	-40°C ~ +85°C	
Storage Temperature Range	$T_{STR}$	-55°C ~ +125°C	
Turnover Temperature	$T_M$	25°C $\pm$ 5°C	
Temperature Coefficient	$\beta$	-0.04 ppm/°C <sup>2</sup> Max.	
Motional Capacitance	$C_1$	6.4 fF Typ.	
Motional Resistance (ESR)	$R_1$	90 kΩ Max.	at 25°C
Drive Level	$D_L$	0.1μW Typ. / 0.5μW Max.	
Aging	$\Delta f/f_0$	$\pm 3$ ppm Max.	at 25°C $\pm$ 3°C, first year
Shunt Capacitance	$C_0$	1.3 pF Typ.	

## Dimensions

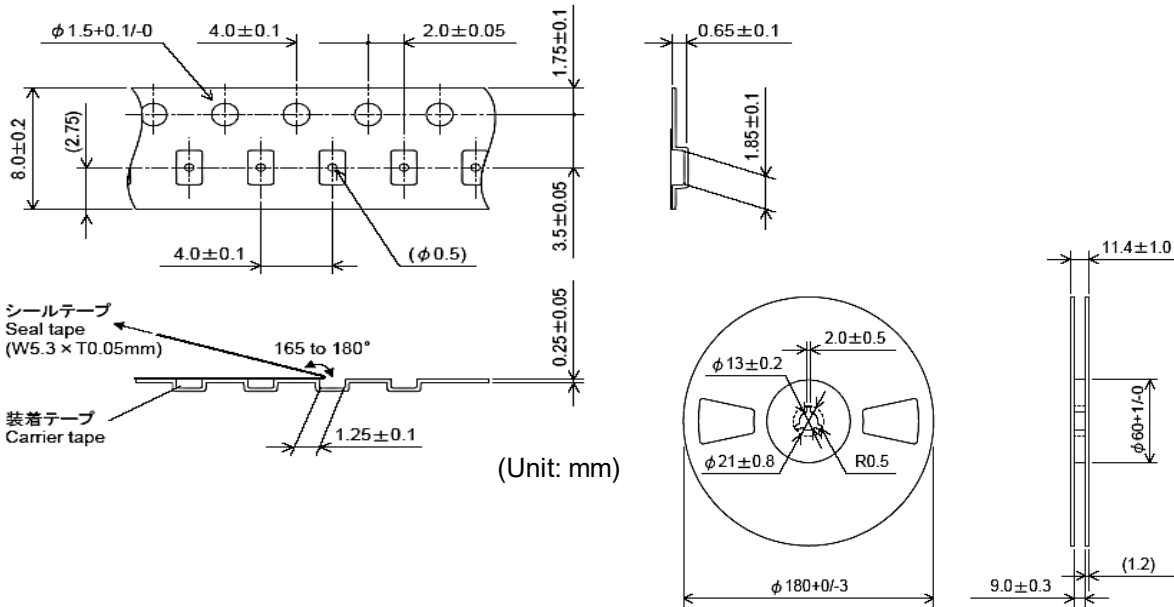


## Ordering Information

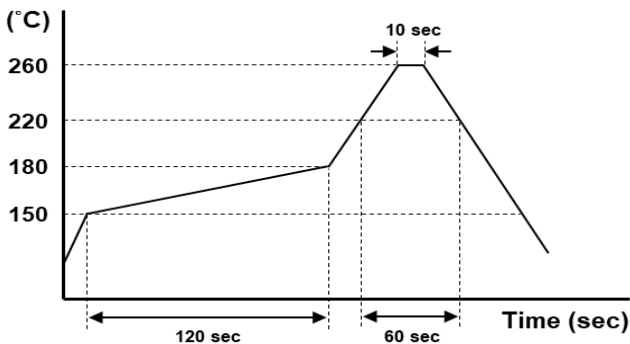
**9HT12 - 32.768K D Z F - T**



## Packing



## Reflow Profile



Total time : Max. 200 sec.  
Solder melting point : 220°C

## Looking for pricing, stock, or lifecycle information?

Click below to explore more details on WIN SOURCE:

 [View 9HT12-32.768KBZF-T on WIN SOURCE](#)

 [TXC CORPORATION](#) Information

## Optimize Your Supply Chain with WIN SOURCE Solutions

-  Global Sourcing Solution
-  Obsolete Management
-  Cost Control Management
-  Shortage Management
-  Alternative Solution
-  Excess Inventory Management