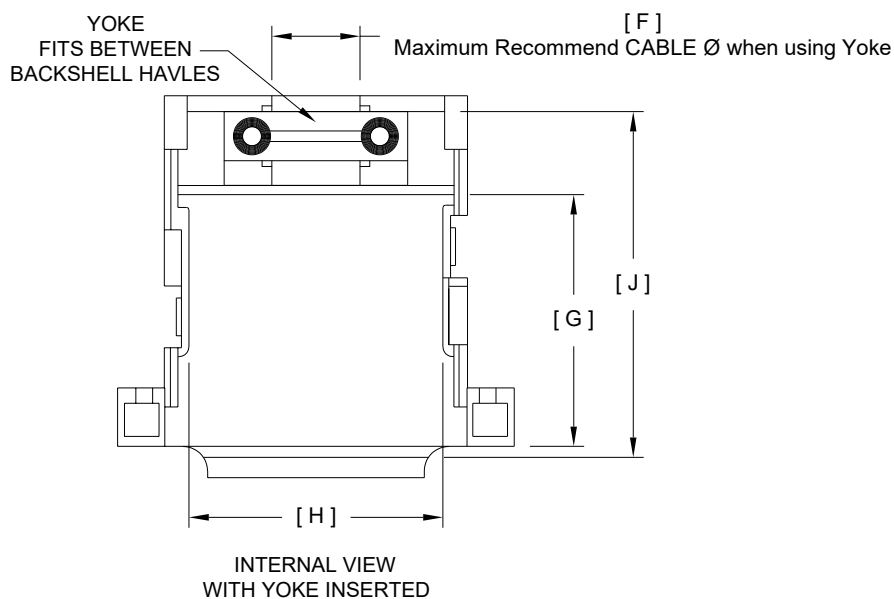
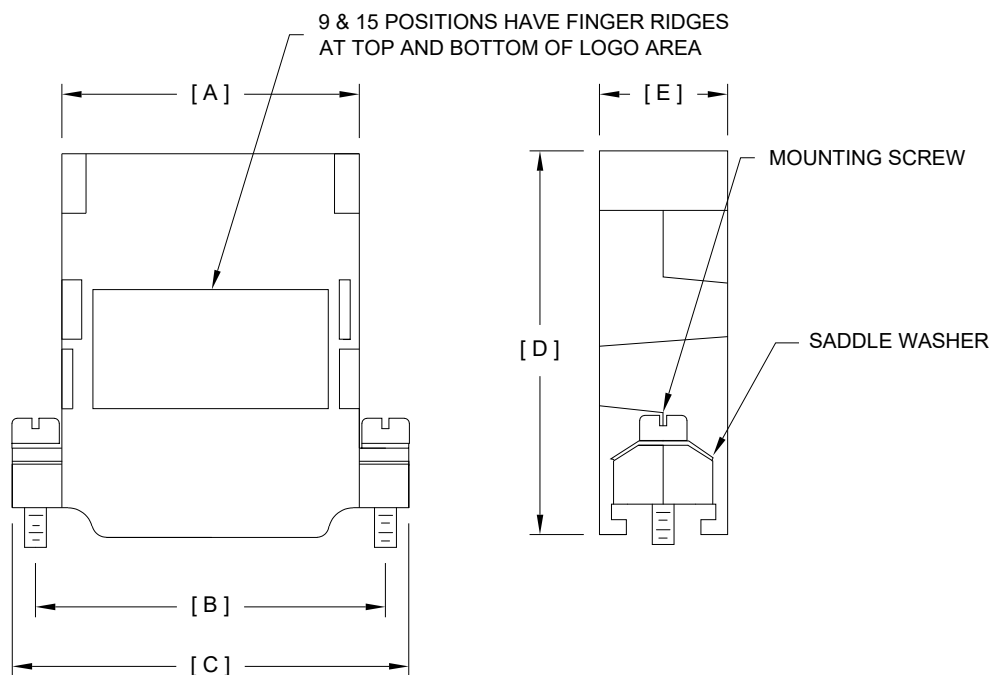




**THE DATASHEET OF**  
**983-015-010R031**



DESCRIPTION: 983 SERIES D-SUB BACKSHELL



DIMENSIONS

SIZE		A	B	C	D	E	F	G	H	J
9	in.	0.783	0.984	1.252	1.929	0.654	0.268	1.285	0.546	1.737
	mm	19.88	24.99	31.80	49.00	16.60	6.80	32.64	13.87	44.13
15	in.	1.089	1.312	1.567	1.929	0.654	0.287	1.285	0.837	1.731
	mm	27.66	33.32	39.80	49.00	16.60	7.30	32.65	21.26	43.97
25	in.	1.652	1.852	2.122	1.925	0.654	0.303	1.270	1.378	1.739
	mm	41.95	47.04	53.90	48.90	16.60	7.70	32.25	35.00	44.16
37	in.	2.278	2.500	2.756	1.940	0.654	0.303	1.300	2.030	1.726
	mm	57.86	63.50	70.00	49.28	16.60	7.70	33.02	51.55	43.84
50	in.	2.200	2.406	2.670	1.950	0.781	0.394	1.293	1.932	1.746
	mm	55.88	61.11	67.82	49.53	19.84	10.0	32.85	49.07	44.35

ALL TOLERANCES = ±0.016 [±0.40]  
UNLESS OTHERWISE INDICATED

**BACKSHELL KIT INCLUDES:**

- (2) BACKSHELL HALVES
- (1) YOKE
- (2) STRAIN RELIEF CLAMPS
- (2) STRAIN RELIEF SCREWS (SELF TAPPING SCREWS)
- (2) SADDLE WASHERS
- (2) #4-40 MOUNTING SCREWS (ROUND HEAD)
- (#4-40 MOUNTING SCREW RECOMMEND TORQUE 60in-oz)

MATERIAL SPECIFICATIONS

MATERIAL:	THERMOPLASTIC (ABS), UL94 V-0, BLACK OR GRAY
OPERATION TEMPERATURE:	0°C to 80°C

**983-YYY-0Y0RYY1**

- SERIES \_\_\_\_\_
- POSITIONS \_\_\_\_\_
- 009
- 015
- 025
- 037
- 050
- MATERIAL \_\_\_\_\_
- 010 = PLASTIC
- 020 = METALIZED PLASTIC
- COLOR \_\_\_\_\_
- 01 = BLACK (ONLY AVAILABLE IN 010 OPTION)
- 03 = GRAY (ONLY AVAILABLE IN 010 OPTION)
- 12 = NICKEL OVER COPPER (ONLY AVAILABLE IN 020 OPTION)
- PUT-UPS \_\_\_\_\_
- 1 = KIT
- 2 = BULK

UNITS = "as indicated" DO NOT SCALE FROM DRAWING

**NorComp**

SCALE:	SHEET	OF	REV
NTS	1	1	10

DWG NO. **983-YYY-0Y0RYY1**

RoHS COMPLIANT



THESE DRAWINGS AND SPECIFICATIONS ARE THE PROPERTY OF NorComp AND SHALL NOT BE REPRODUCED, COPIED OR USED AS THE BASIS FOR THE MANUFACTURE OR SALE OF APPARATUS WITHOUT WRITTEN PERMISSION.

DRAWN:  
**P. JENKINS**

DATE:  
**07/28/2005**

## Looking for pricing, stock, or lifecycle information?

Click below to explore more details on WIN SOURCE:

 [View 983-015-010R031 on WIN SOURCE](#)

 [NorComp Inc. Information](#)

## Optimize Your Supply Chain with WIN SOURCE Solutions

-  Global Sourcing Solution
-  Obsolete Management
-  Cost Control Management
-  Shortage Management
-  Alternative Solution
-  Excess Inventory Management