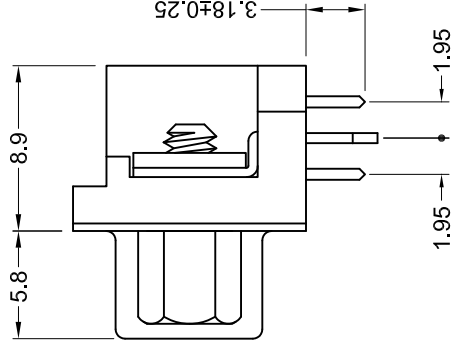
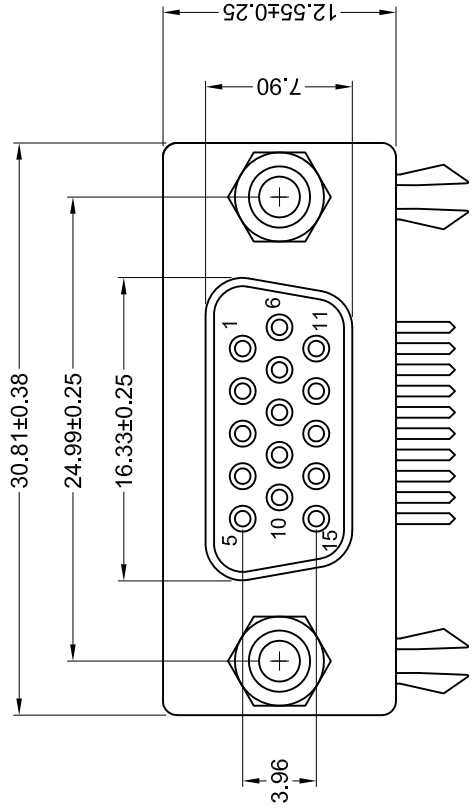


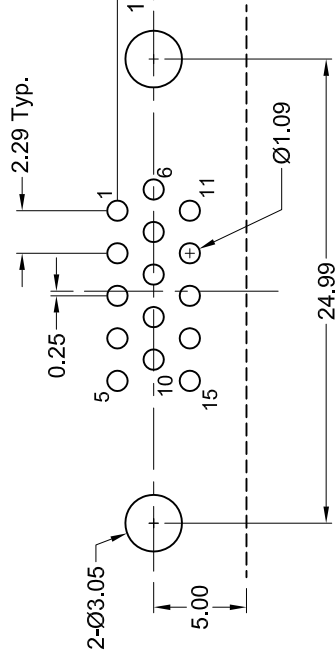
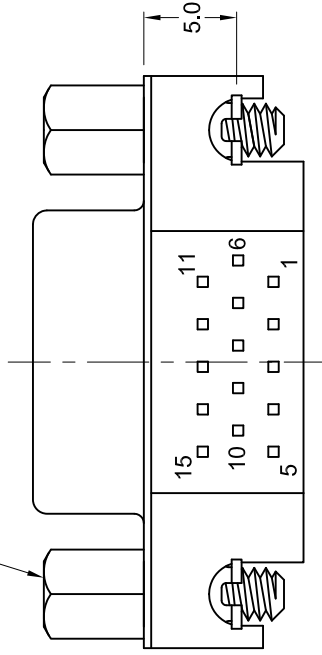


**THE DATASHEET OF
K61X-E15S-NJ**





Jackscrews Installed



Recommended PCB Layout
(Top View)

Part Number	Contact Area Plating Finish
K61X-E15S-NJ	Gold Flash (standard)
K61X-E15S-NJ15	15u" Gold (15 option)
K61X-E15S-NJ30	30u" Gold (30 option)

REV.	DATE	DESCRIPTION	REV. BY	CHK. BY	DRAWN BY	DATE
A1	08/24/05	New Drawing	R. Aguirre	N.Chang	R. Aguirre	08/24/05
A2	03/21/08	ECO #07-051	S. Vien	H. MA	R. Aguirre	08/24/05
A3	10/12/10	Release Drawing	H. MA	N/A		
A4	10/02/14	ECO #14-044	D. Gih	H. MA		
A5	12/31/17	ECO #17-043	G. Serrato	C. Furumasa		

UNITS
mm

K61X-E15S-NJ

15 pin High Density fem
Compact Footprint, RoHS



Looking for pricing, stock, or lifecycle information?

Click below to explore more details on WIN SOURCE:

 [View K61X-E15S-NJ on WIN SOURCE](#)

 [Kycon, Inc. Information](#)

Optimize Your Supply Chain with WIN SOURCE Solutions

-  Global Sourcing Solution
-  Obsolete Management
-  Cost Control Management
-  Shortage Management
-  Alternative Solution
-  Excess Inventory Management