

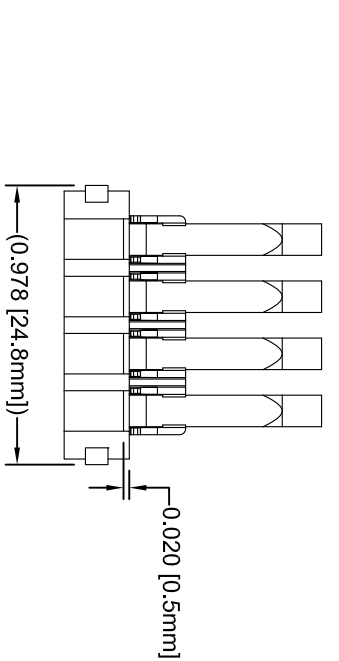
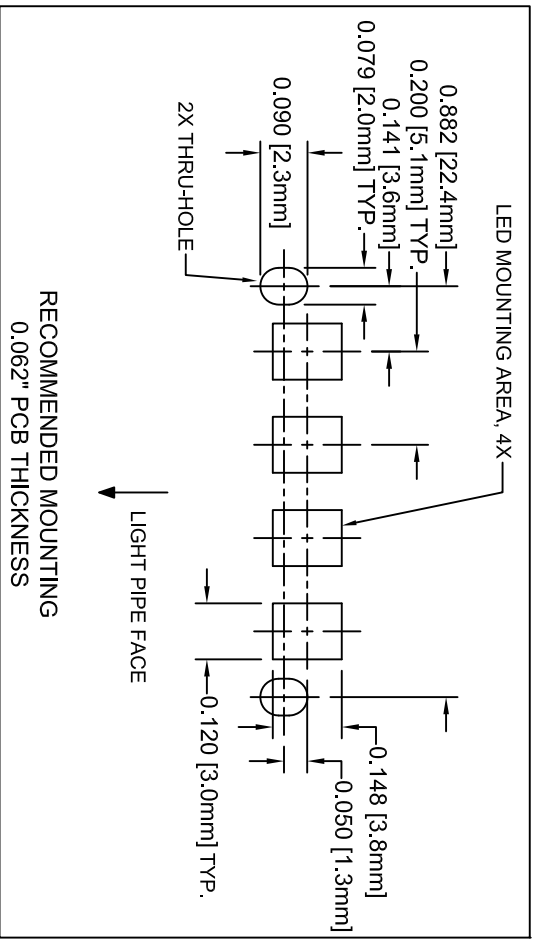
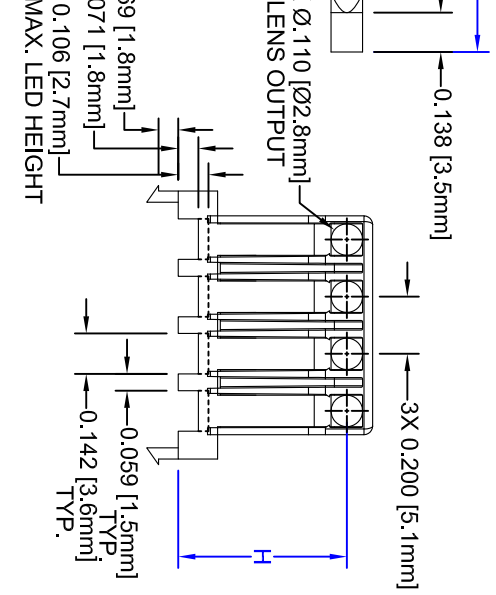
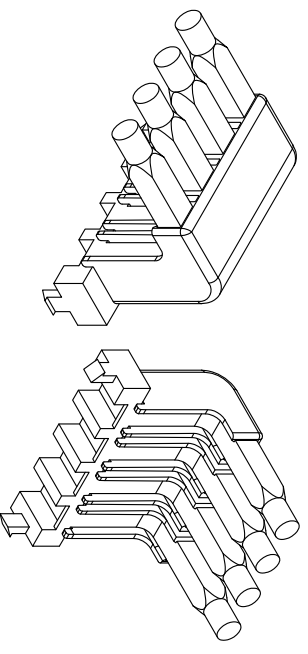
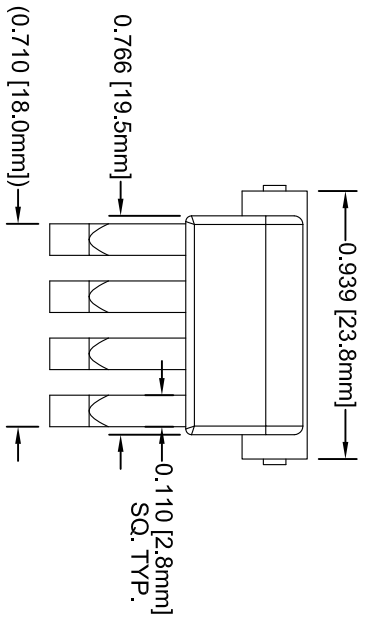


**THE DATASHEET OF  
RLP4-400-800**



| PART DESCRIPTION  |  |
|---|--|
| Surface Mount Right Angle Light Pipe, 2.8mm, 4 Station. |  |
| See Table on 2nd Page                                   |  |
| LPR Housing, 4 Station, White. See Table on 2nd Page    |  |

| REV.     | DESCRIPTION                                | DATE     | APPROVED |
|----------|--|----------|----------|
| <b>A</b> | Engineering Release                        | 11/06/09 | T. Y.    |
| <b>B</b> | Added Overall Height "K" Dim               | 03/04/11 | T. Y.    |
| <b>C</b> | Added Overall Snap Height Dimension        | 08/15/12 | T. Y.    |
| <b>D</b> | Added Color Options. Sheet #3              | 02/02/16 | J. C.    |
| <b>E</b> | ECO-1066; Updated Mounting Hole Dimensions | 08/11/20 | A. V.    |



| STANDARD TOLERANCE<br>(UNLESS OTHERWISE SPECIFIED) |                | TITLE: RIGHT ANGLE LIGHT PIPE,<br>2.8MM, 4 STATION                     |                  |
|--|----------------|--|------------------|
| DECIMALS   | ANGULAR        | 4 THOMAS, IRVINE, CA, 92618<br>TEL: (949) 951-8808 FAX: (949) 951-3974 |                  |
| .X ± 0.1   | X° ± 1°        | PART NO: RLP4-XXX-XXX  | REVISION: E      |
| .XX ± 0.01   |                | SHEET SIZE: A  | CAGE CODE: 32559 |
| .XXX ± 0.010                                       |                | SCALE: 1:1   | SHEET # 1 OF 3   |
| DESIGNED: R. Paje                                  | DATE: 11/06/09 | CAD GENERATED DOCUMENT. DO NOT MEASURE DRAWING                         |                  |
| REVISION: K. Baron                                 | DATE: 08/11/20 |  |                  |
| CHECKED: A. Valdez                                 | DATE: 08/11/20 |  |                  |

| REV.         | DESCRIPTION | DATE | APPROVED |
|--------------|-------------|------|----------|
| SEE SHEET #1 |             |      |          |

**RLP4-XXX-XXX**

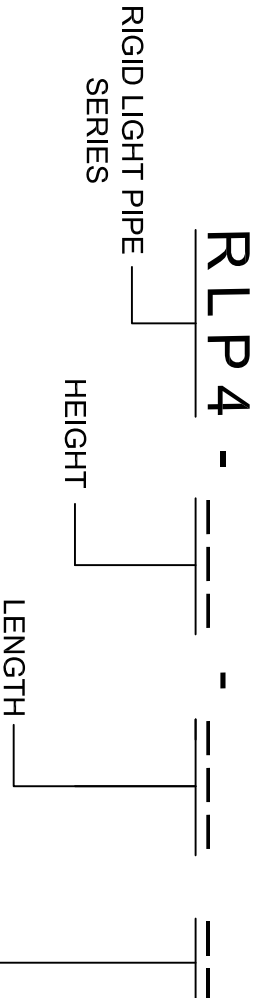
| N   | H              | L              | K              |              |           | FIGURE |
|-----|----------------|----------------|----------------|--------------|-----------|--------|
| 650 | 0.197 [5.0mm]  | 0.551 [14.0mm] | 0.287 [7.3mm]  | LPR4-XXX-XXX | RLPH4-XXX |        |
|     |                | 0.669 [17.0mm] |                | LPR4-200-500 | RLPH4-200 |        |
| 800 |                | 0.787 [20.0mm] |                | LPR4-200-800 | RLPH4-200 |        |
|     |                | 0.551 [14.0mm] |                | LPR4-400-500 | RLPH4-400 |        |
| 650 | 0.394 [10.0mm] | 0.669 [17.0mm] | 0.484 [12.3mm] | LPR4-400-650 | RLPH4-400 |        |
|     |                | 0.787 [20.0mm] |                | LPR4-400-800 | RPH4-400  |        |
| 500 |                | 0.551 [14.0mm] |                | LPR4-600-500 | RLPH4-600 |        |
| 650 | 0.591 [15.0mm] | 0.669 [17.0mm] | 0.681 [17.3mm] | LPR4-600-650 | RLPH4-600 |        |
|     |                | 0.787 [20.0mm] |                | LPR4-600-800 | RLPH4-600 |        |
| 800 |                |                |                |              |           |        |

|   |       |           |              |           |        |
|---|-------|-----------|--------------|-----------|--------|
| CAGE CODE:                                      | 32559 | PART NO.: | RLP4-XXX-XXX | REVISION: | E      |
| SHEET SIZE:                                     | A     | SCALE:    | 1:1          | SHEET #   | 2 OF 3 |
| CAD GENERATED DOCUMENT. DO NOT MEASURE DRAWING. |       |           |              |           |        |



RRS  
 INFORMATION

| REV. | DESCRIPTION  | DATE | APPROVED |
|------|--------------|------|----------|
|      | SEE SHEET #1 |      |          |



| COLOR  | Order Code |
|--------|------------|
| BLUE   | BE         |
| BLACK  | BK         |
| GREEN  | GN         |
| GRAY   | GY         |
| RED    | RD         |
| YELLOW | YW         |

NOTE: LEAVE ORDER CODE BLANK  
 IF NO COLOR IS DESIRED.



EMBLIES WILL BE DYED.  
 OR UPON REQUEST.

|             |       |
|-------------|-------|
| CAGE CODE:  | 32559 |
| SHEET SIZE: | A     |

|   |  |           |              |           |        |
|---|--|-----------|--------------|-----------|--------|
|   |  | PART NO.: | RLP4-XXX-XXX | REVISION: | E      |
|   |  | SCALE:    | 1:1          | SHEET #   | 3 OF 3 |
| CAD GENERATED DOCUMENT. DO NOT MEASURE DRAWING. |  |           |              |           |        |

## Looking for pricing, stock, or lifecycle information?

Click below to explore more details on WIN SOURCE:

-  [View RLP4-400-800 on WIN SOURCE](#)
-  [Bivar Inc. Information](#)

## Optimize Your Supply Chain with WIN SOURCE Solutions

-  Global Sourcing Solution
-  Obsolete Management
-  Cost Control Management
-  Shortage Management
-  Alternative Solution
-  Excess Inventory Management