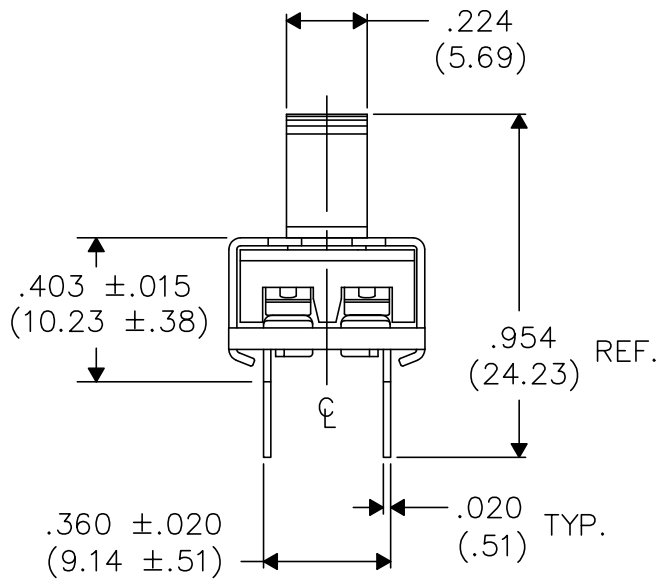
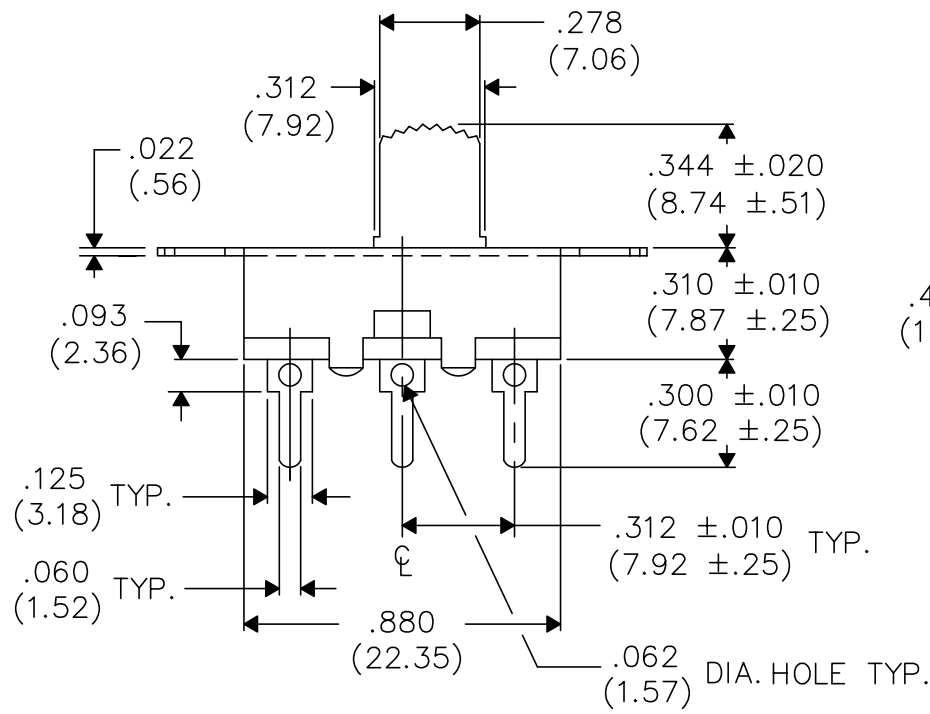
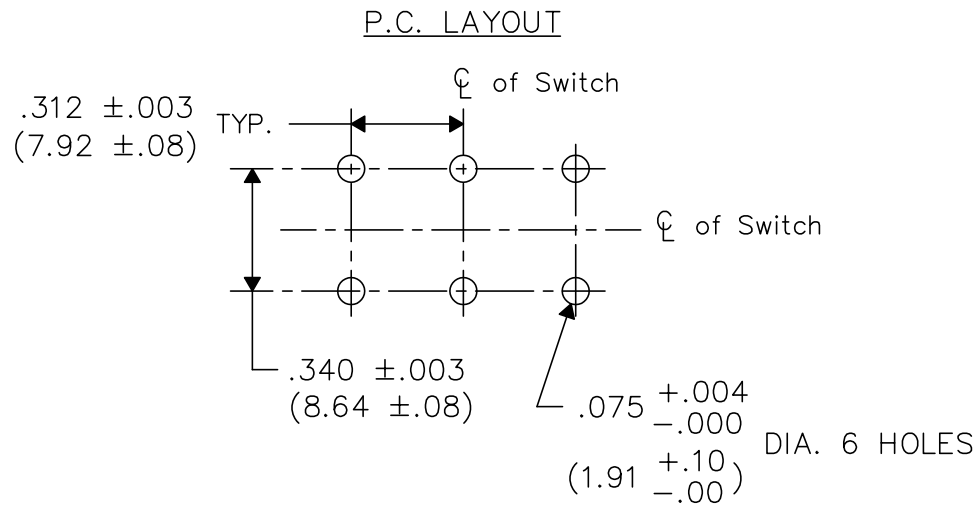
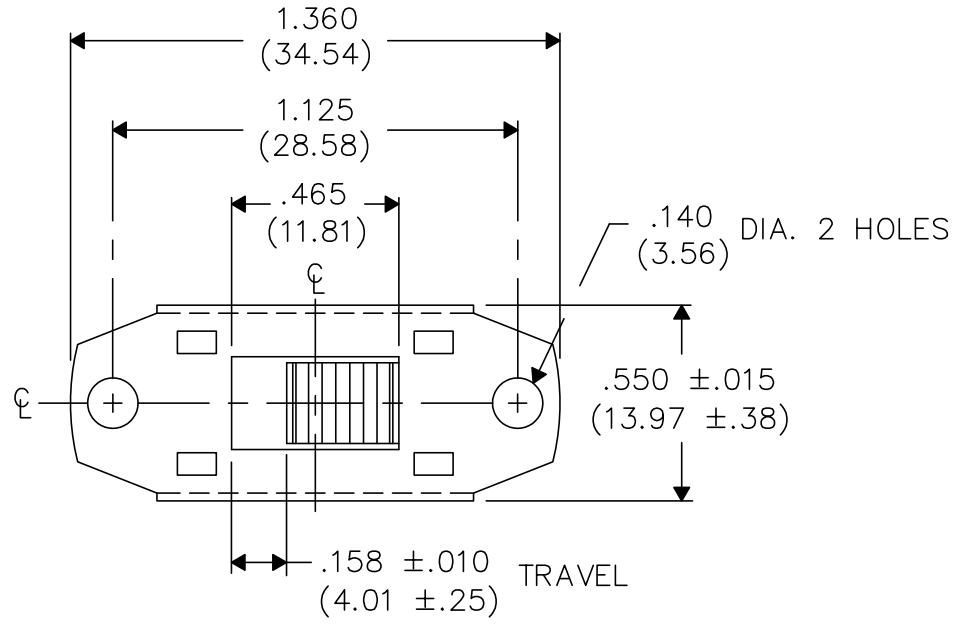




THE DATASHEET OF
GF-1126-1110





FORM-B2

REVISIONS

0	RELEASED. SPR 3-19-92 RBK 3-20-92
1	REDRAWN. ADDED P.C. LAYOUT & .403±.015. DGW 4-26-96 GC 5-9-96

CW INDUSTRIES
Southampton, Pa. 18966


TOLERANCES UNLESS OTHERWISE SPECIFIED
2 Place Decimal ±.010 METRIC
3 Place Decimal ±.005 1 Place Dec. ±.25mm
Angles ±1° 2 Place Dec. ±.13mm

Made for: CW IND.
Drawn by: SPR 3-19-92
Checked by: GG 5-9-96
Approval: BF 5-9-96

Title:
ASSEMBLY SWITCH
D.P. - D.T.
Division:
SWITCH
Dwg. No.
GF-1126-1110

Looking for pricing, stock, or lifecycle information?

Click below to explore more details on WIN SOURCE:

 [View GF-1126-1110](#) on WIN SOURCE

 [CW Industries](#) Information

Optimize Your Supply Chain with WIN SOURCE Solutions

-  Global Sourcing Solution
-  Obsolete Management
-  Cost Control Management
-  Shortage Management
-  Alternative Solution
-  Excess Inventory Management