



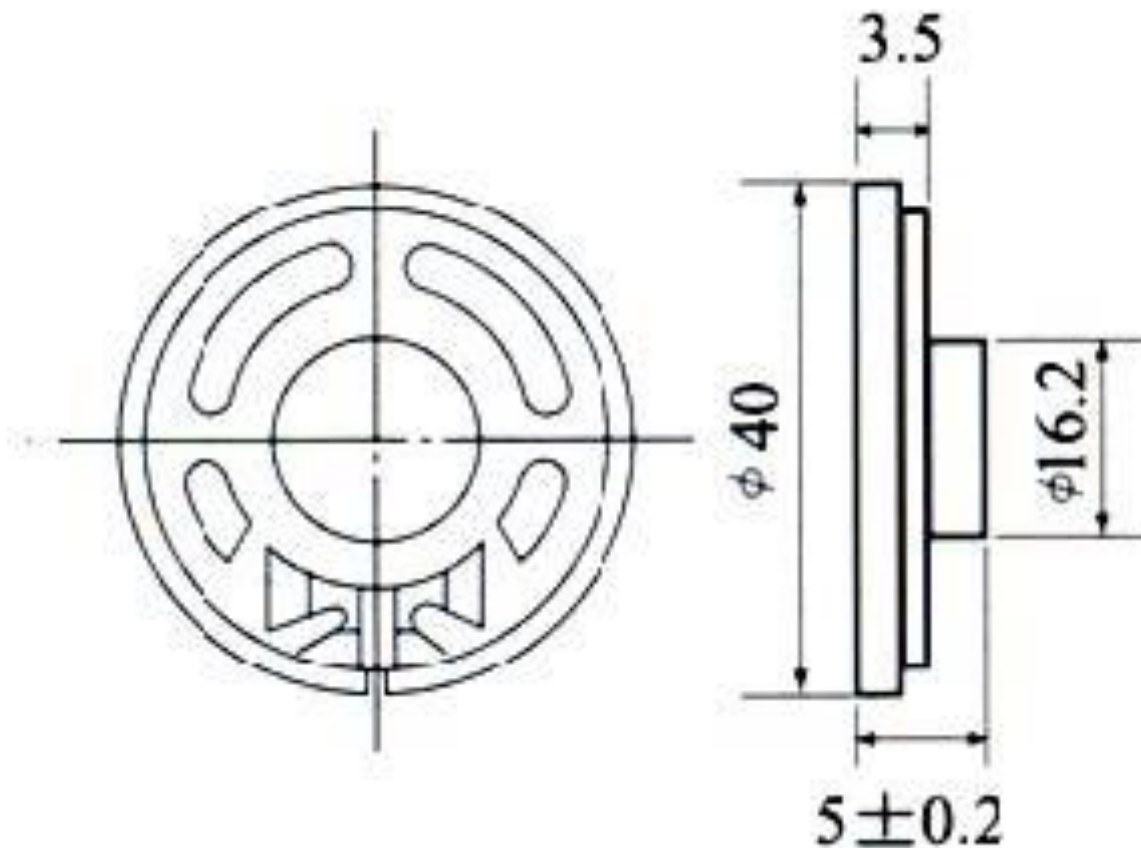
**THE DATASHEET OF
PSR-40N08A05-JQ**



Sales Outline DrawingRevision **F**

**May not be suitable for all Medical and Aerospace applications.
Contact Mallory Sonalert to discuss your application.**

Voice Coil Impedance (Ω)	$8 \pm 15\%$ at 800 Hz / 1.0 V
Rated Input (W)	0.25
Max. Input (W)	0.50
Lowest Resonance Freq Fo (Hz)	$500 \pm 20\%$
Frequency Range (Hz)	Fo ~ 5000
Output S.P.L. (dB)	103 ± 3 at 0.25W 0.1M .8k, 1k, 1.2k, 1.5kHz 89 ± 3 at 1W 1M .8k, 1k, 1.2k, 1.5kHz
Magnet Size (mm)	$\varnothing 12.5 * 1.5$
Magnet	Ferrite
Core Material Mylar	Black Radial
Frame Material	Metal
Operation / Storage Temp	-25 to 50°C
Weight	9.3g
Options	For other options contact factory

Dimensions: (units: mm)**ROHS Compliant**

Looking for pricing, stock, or lifecycle information?

Click below to explore more details on WIN SOURCE:

- ⊖ [View PSR-40N08A05-JQ on WIN SOURCE](#)
- ⊖ [Mallory Sonalert Products Inc. Information](#)

Optimize Your Supply Chain with WIN SOURCE Solutions

- ✓ Global Sourcing Solution
- ✓ Obsolete Management
- ✓ Cost Control Management
- ✓ Shortage Management
- ✓ Alternative Solution
- ✓ Excess Inventory Management