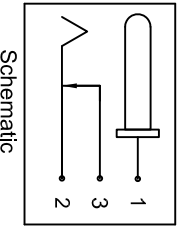
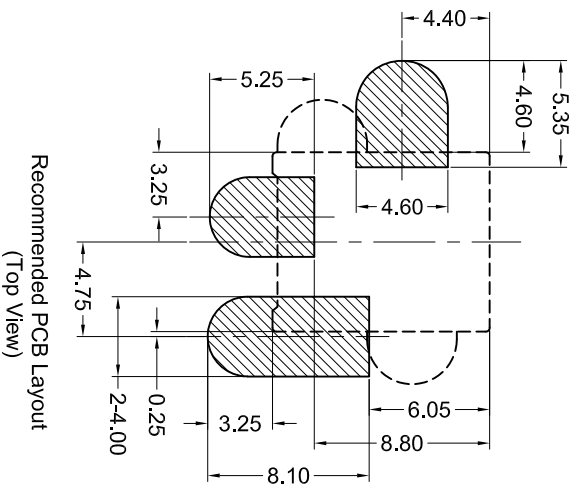
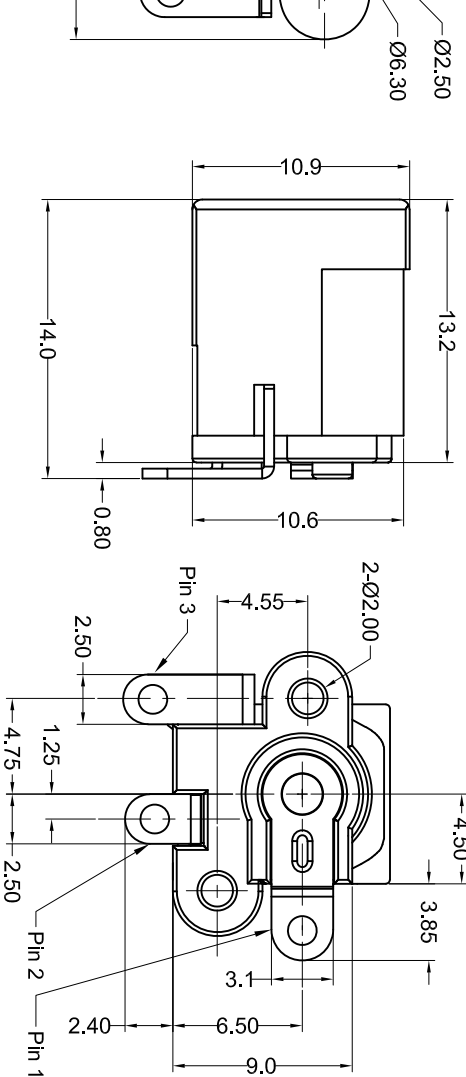




**THE DATASHEET OF  
KLDVX-SMT-02-BTR**





**Material and Finish**

- Main Housing: LCP
  - Bottom Cover: PA9T
  - UL94V-0, Color: Black
  - Center Pin: Copper, Nickel Plated
  - Contact #1: Brass, Silver Plated
  - Contact #2: Phosphor Bronze, Silver Plated
  - Contact #3: Brass, Silver Plated
- Electrical Characteristics**
- Contact Resistance Before Test
  - Between Terminals: 30 milliohms Max. Plug to Contacts: 50 milliohms Max.

- After Test: Between Terminals: 60 milliohms Max. Plug to Contacts: 100 milliohms Max.
- Rated Voltage: 16V DC
- Rated Current: 3.5 Amps
- Insulation Resistance: 100 Megohms Min. at 500V DC
- Dielectric Withstanding Voltage: 500V AC for 1 minute

**Mechanical Characteristics**

- Durability Test: 5000 cycles
- Insertion Force: 0.3kg-3.0kg
- Extraction Force: 0.3kg-3.0kg
- Operating Temp: -25°C to +85°C

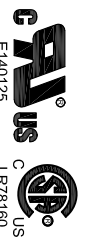
diameter	Packaging
Tape & Reel (TR option)	

V. BY	CHK. BY	DRAWN BY	DATE
Aguirre	H. MA	R. Aguirre	11/08/05
Vien	H. MA		
Cook	H. MA		
Cook	P. DalCanto		
Serrato	P. DalCanto		
	D. Shehan		

UNITS	DATE
mm	11/08/05

**KLDVX-SMT-02-B**

Power Jack, Vertical SMT, RoHS Compliant  
Ø2.5mm Center Pin




Tolerances	X.X ± 0.25
	X.XX ± 0.15
	Unless Stated
	Otherwise



## Looking for pricing, stock, or lifecycle information?

Click below to explore more details on WIN SOURCE:

 [View KLDVX-SMT-02-BTR on WIN SOURCE](#)

 [Kycon, Inc. Information](#)

## Optimize Your Supply Chain with WIN SOURCE Solutions

-  Global Sourcing Solution
-  Obsolete Management
-  Cost Control Management
-  Shortage Management
-  Alternative Solution
-  Excess Inventory Management