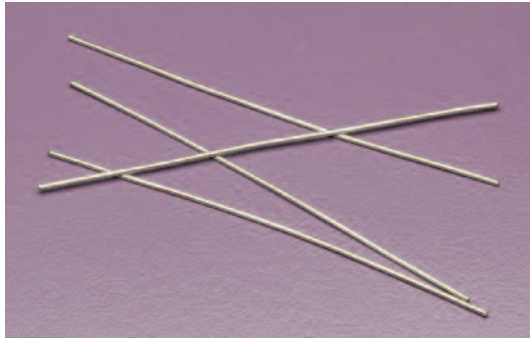




**THE DATASHEET OF  
JL5CT52R**

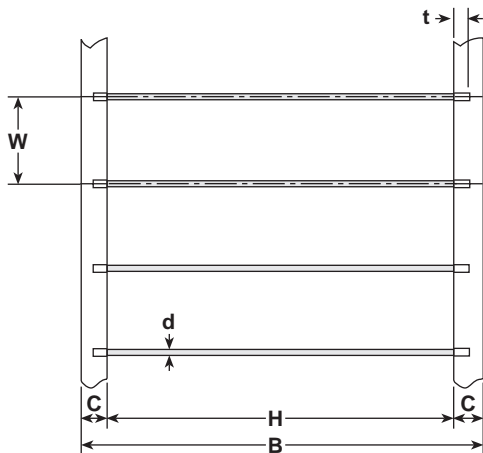




### features

- Suitable for automatic machine insertion
- Products meet EU RoHS requirements

### dimensions and construction



T52 Type	Dimensions inches (mm)					
	H	B	C	W	t (max.)	d nominal
JL5						.02 (0.5)
JL6	2.05±.039 (52.0±1.0)	2.54±.039 (64.5±1.0)	.244±.02 (6.2±0.5)	.2±.015 (5.08±0.38)	.098 (2.5)	.024 (0.6)
JL8						.031 (0.8)

T26 Type	Dimensions inches (mm)					
	H	B	C	W	t (max.)	d nominal
JL5						.02 (0.5)
JL6	1.02 <sup>+0.039</sup> <sub>-0</sub> (26.0 <sup>+1</sup> <sub>-0</sub> )	1.54±.039 (39.0±1.0)	.244±.02 (6.2±0.5)	.1972±.012 (5.0±0.3)	.098 (2.5)	.024 (0.6)
JL8						.031 (0.8)

### applications and ratings

Part Designation	Maximum Resistance	Maximum Current Ratings	Rated Ambient Temp.	Operating Temp. Range
JL5	10mΩ	8 Amps	+70°C	-55°C ~ +125°C
JL6		10 Amps		
JL8		12 Amps		

### ordering information

JL	8	C	T52	A
Type	Nominal Diameter	Termination Material	Taping and Forming	Packaging
	5 (24 gauge) 6 (22 gauge) 8 (20 gauge)	C: SnCu (Other termination styles available, contact factory for options)	T26, T52	A: Ammo

For further information on packaging, please refer to Appendix C.

## Looking for pricing, stock, or lifecycle information?

Click below to explore more details on WIN SOURCE:

 [View JL5CT52R on WIN SOURCE](#)

 [KOA Speer Information](#)

## Optimize Your Supply Chain with WIN SOURCE Solutions

-  Global Sourcing Solution
-  Obsolete Management
-  Cost Control Management
-  Shortage Management
-  Alternative Solution
-  Excess Inventory Management