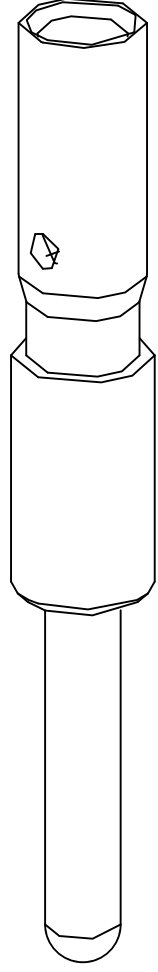
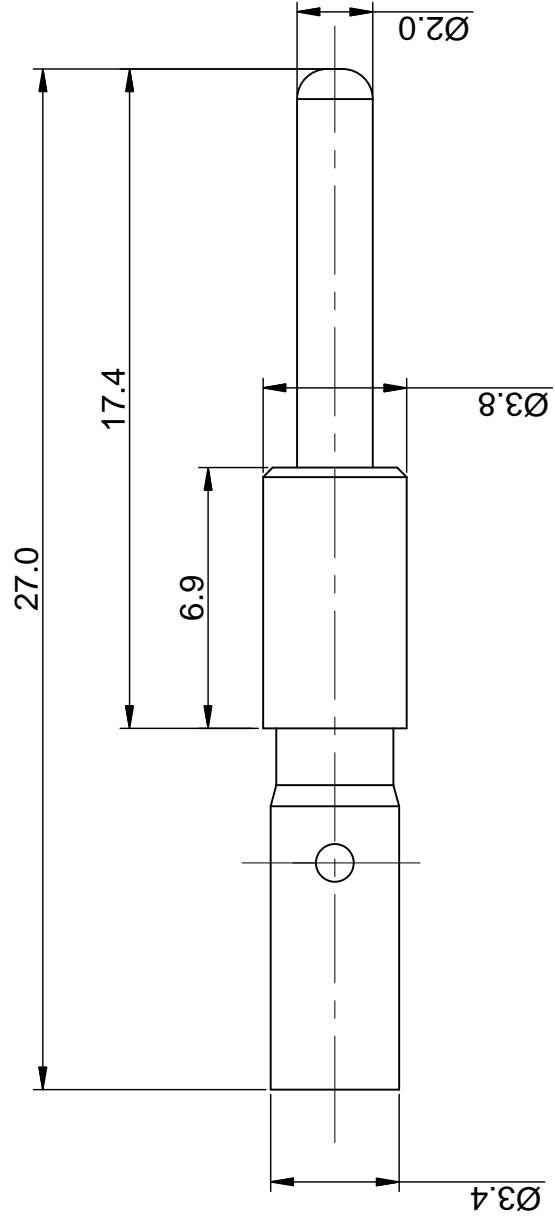
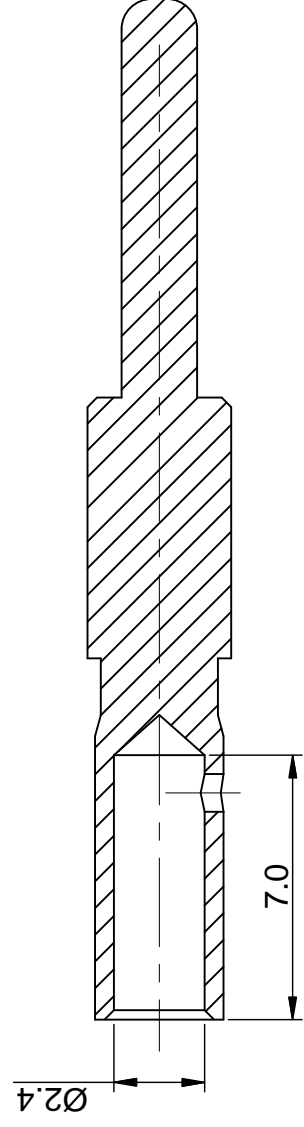




**THE DATASHEET OF  
SC000036**





QUANTIT	UNLESS OTH	MATERIAL SPECIF	PROCESS SPECIF	NEXT ASSY:
	1) All dimension			
	2) Tolerance a			
	1 PL DEC $\pm 0.3$			
	2 PL DEC $\pm 0.1$			
	3 PL DEC $\pm 0.0$			
	3) Note referen			

## Looking for pricing, stock, or lifecycle information?

Click below to explore more details on WIN SOURCE:

- ⊖ [View SC000036 on WIN SOURCE](#)
- ⊖ [Amphenol Sine Systems Corp Information](#)

## Optimize Your Supply Chain with WIN SOURCE Solutions

- ✓ Global Sourcing Solution
- ✓ Obsolete Management
- ✓ Cost Control Management
- ✓ Shortage Management
- ✓ Alternative Solution
- ✓ Excess Inventory Management