





**DC POWER CONNECTORS: KLDHCX Series**

High Current PCB Mount DC Locking Type Power Jack

**Product Features**

- 2.0mm and 2.5mm.
- Built-In DC On/Off Switch
- To Be Used with Locking/Non-locking Tuning Fork Style Plug
- Laptop and Palm Computers, Portable Modems, Radar Detectors, and Other Portable Device Applications
- UL File No. E140125

**Performance Specifications**

**Materials and Finish**

- Plastic Housing:** PBT, UL94V-0 Rated, Black Color
- Center Pin:** Brass, Nickel Plated
- Contact #1:** Brass, Tin Plated
- Contact #2:** Phosphor Bronze, Tin Plated
- Contact #3:** Brass, Tin Plated

**Electrical Characteristics**

- Rated Current:** 5A
- Rated Voltage:** 24V RMS
- Insulation Resistance:** 50 Megohms Min. at 100 or 200V DC for 1 Minute
- Contact Resistance:** 30 milliohms Max.
- Dielectric Withstanding Voltage:** 250V AC Min. for 1 Minute

**Mechanical Characteristics**

- Durability Test:** 5000 Cycles
- Insertion Force:** 0.3kg Max.
- Extraction Force:** 0.3kg Min.

2D Drawing	IGES	STEP	3D PDF
Solder Profile	CofC RoHS Compliant	CofC REACH Compliant	UL Plastic File
Certificate of Origin	Check Stock	Request a Sample	Send Us An Email

Generated Part Number



**Part Number Builder**

-     
 Series                  Diameter                  Lead Style                  Type

**Series**

KLDHCX-0202 - High Current PCB Mount DC Power Jack

**Diameter**

- A - 2.0mm Center Pin Diameter
- B - 2.5mm Center Pin Diameter

**Peg**

- Blank - Without Peg
- P - With Peg

**Type**

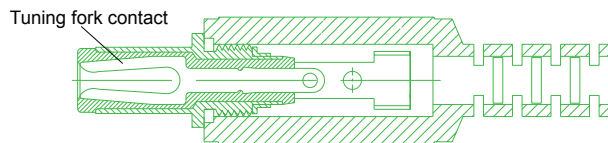
- LT - Locking Type

Contact Kycon For Other Options

**Recommended to be used with Kycon locking plug (tuning fork design):**

**KLDX-PA-0202-A-LT, KLDX-PA-0202-B-LT**

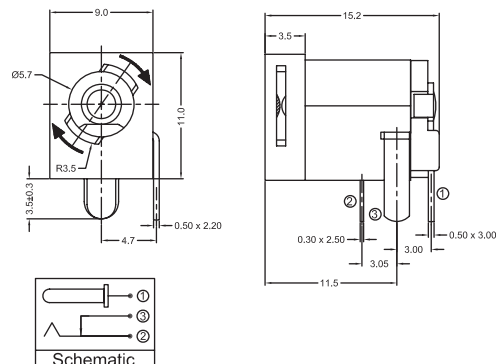
**If used with non-locking plug, tuning fork design is required. See picture.**



**KLDHCX-0202 Series**

Dimensions in mm

**KLDHCX-0202-x-LT**



## Looking for pricing, stock, or lifecycle information?

Click below to explore more details on WIN SOURCE:

 [View KLDHCX-0202-B-LT on WIN SOURCE](#)

 [Kycon, Inc. Information](#)

## Optimize Your Supply Chain with WIN SOURCE Solutions

-  Global Sourcing Solution
-  Obsolete Management
-  Cost Control Management
-  Shortage Management
-  Alternative Solution
-  Excess Inventory Management