

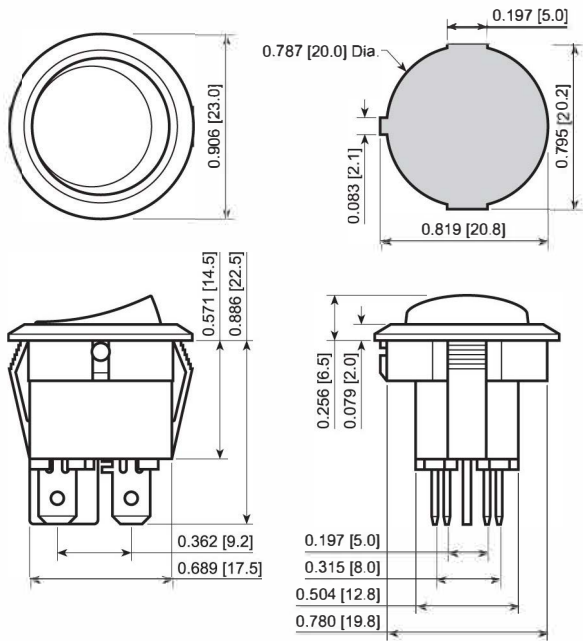


**THE DATASHEET OF  
RR812C1121**





### Panel Cutout

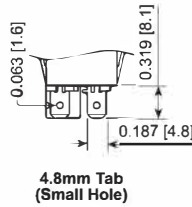


### Illumination Options



Full

### Terminal Options



### FEATURES:

- Aesthetically Designed
- High Ratings with UL Approval
- Full Illumination Options

### SPECIFICATIONS:

**RATING: RATING OPTION C:**  
 16A 125VAC [UL, cUL]  
 10A 250VAC [UL, cUL]  
 1/3HP 125/250VAC [UL, cUL]

**RATING OPTION 3:**  
 10A 125VAC [UL, cUL]

**TEMPERATURE:** -20°C to 105°C [UL, cUL]

**ELECTRICAL LIFE:** 10,000 Cycles  
**CONTACT RESISTANCE:** 35mΩ Max. at 50VAC  
**INSULATION RESISTANCE:** 100MΩ Min. at 500VAC  
**DIELECTRIC STRENGTH:** 1,500VAC for 1 Minute

### MATERIALS:

**BODY:** Polyamide 6/6, UL94 V-2  
**ACTUATOR:** Polyamide 6/6, UL94 V-2  
 Polycarbonate, UL94 V-2  
**CONTACTS:** Silver Alloy  
**TERMINALS:** Silver Plated Copper

Specifications subject to change without notice 9.5.25



RR812C1700

Series	Terminal	Function	Rating	Body Color	Actuator Color	Marking Color	Marking Type	Lens Style	Lens Color	Lamp Voltage
RR8	1 - 4.8mm Tab	2 - Pole Off-On	3 - 10A 125VAC C - 16A 125VAC	1 - Black 2 - White 3 - Almond 4 - Grey 9 - Red	0 - Full Illum. 1 - Black 2 - White 3 - Almond 4 - Grey 5 - Orange 7 - Blue 8 - Green 9 - Red	0 - None 1 - Black 2 - White 8 - Red	0 - None 1 - I/O Vert. 3 - ON/OFF Vert. 4 - ON/OFF Horiz. R - I/O Horiz.	1 - Full	0 - Clear 1 - Red 2 - Amber 3 - Green 4 - Blue	4 - 12V 6 - 125V 7 - 250V

Custom Colors and Markings Available Upon Request For Illuminated Switches Only

### EXAMPLE PART NUMBERS:

RR81231100 2P Off-On  
 Black Body/Actuator, No Marking  
 RR81231121 2P Off-On  
 Black Body/Actuator, I/O Vert.



## Looking for pricing, stock, or lifecycle information?

Click below to explore more details on WIN SOURCE:

 [View RR812C1121 on WIN SOURCE](#)

 [E-SWITCH](#) Information

## Optimize Your Supply Chain with WIN SOURCE Solutions

-  Global Sourcing Solution
-  Obsolete Management
-  Cost Control Management
-  Shortage Management
-  Alternative Solution
-  Excess Inventory Management