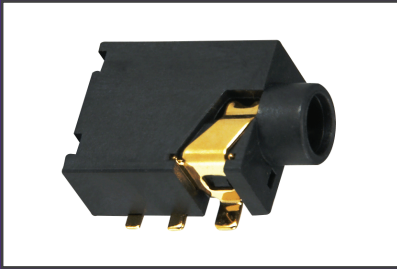




**THE DATASHEET OF  
STX-35332-5N-TR**





**AUDIO JACKS: STX-35332 Series**  
Surface Mount 3.5mm Audio Jack

**Product Features**

Offered in a 3-Pole Version  
Used in Devices Such as Audio Equipment, Cell Phones,  
or Digital Still Camera  
Complies with EIA Standards  
CSA/NRTL Certified File No. LR78160

**Performance Specifications**

**Materials and Finish**

**Housing**  
High Temperature Thermoplastic, UL 94V-0 Rated

**Terminals**

Copper Alloy, Gold Plated

**Electrical Characteristics**

**Contact Resistance**  
**Before Durability Test**

50 milliohms Max.

**After Durability Test**

100 milliohms Max.

**Insulation Resistance**

100 Megohms Min. at 500V DC

**Dielectric Withstanding Voltage**

500V AC RMS for 1 Minute

**Operating Temperature**

-25°C to + 70°C

2D Drawing	IGES	STEP	3D PDF
Solder Profile	CofC RoHS Compliant	CofC REACH Compliant	UL Plastic File
Certificate of Origin	Check Stock	Request a Sample	Send Us An Email

Generated Part Number

Part Number Builder

-     
 Series      Number of Pins      Threading Option      Packaging

**Series**

STX-35332 - Surface Mount 3.5mm Audio Jack

**Number of Pins**

- 3 - Pins
- 4 - Pins
- 5 - Pins

**Threading Option**

N - Non-Threaded Barrel

**Packaging**

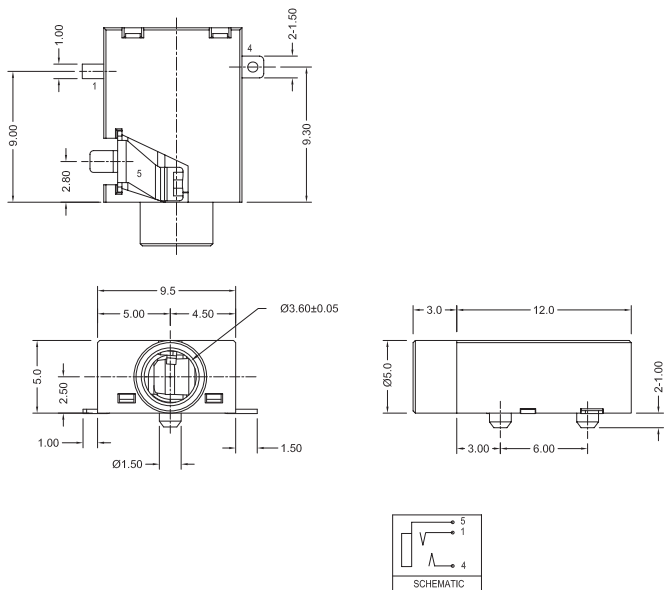
TR - Tape and Reel

Contact Kycon for other options

**STX-35332**

Dimensions in mm

STX-35332-3N-TR



## Looking for pricing, stock, or lifecycle information?

Click below to explore more details on WIN SOURCE:

 [View STX-35332-5N-TR on WIN SOURCE](#)

 [Kycon, Inc. Information](#)

## Optimize Your Supply Chain with WIN SOURCE Solutions

-  Global Sourcing Solution
-  Obsolete Management
-  Cost Control Management
-  Shortage Management
-  Alternative Solution
-  Excess Inventory Management