



**THE DATASHEET OF  
KFB3ANA1BBB**



# Sealed Pushbutton

## Single and Double Pole KF Series



### Features

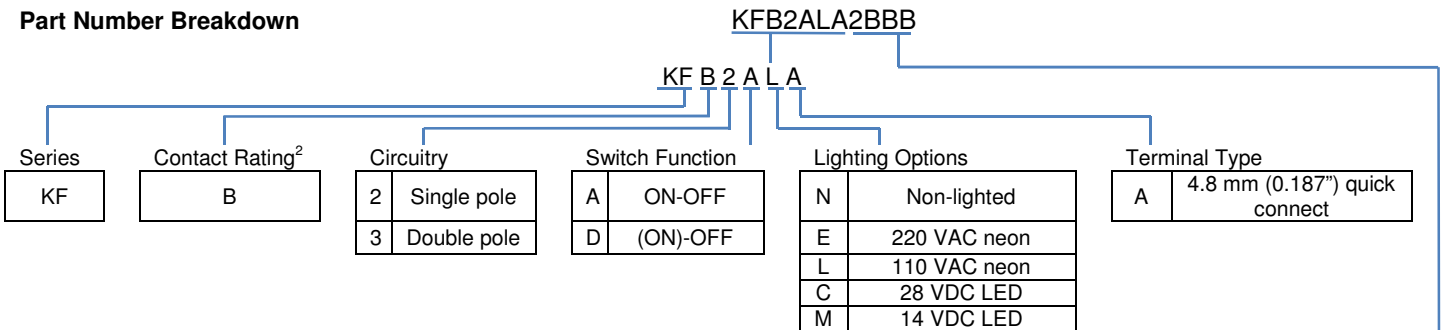
- Snap-in mounting
- RoHS compliant
- 100,000 cycles mechanical life
- IP65
- Switches up to 20 A
- Lighted and non-lighted versions available

### Standard Parts<sup>1</sup>

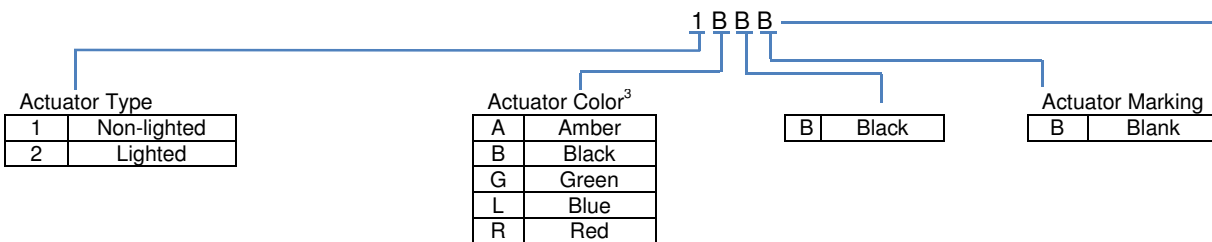
| North America | North America and Europe | Europe      |
|---------------|--------------------------|-------------|
| KFB2ALA2GBB   | KFB2ANA1BBB              | KFB2AEA2GBB |
| KFB2ALA2RBB   | KFB2DNA1BBB              | KFB2AEA2RBB |
| KFB3ALA2GBB   | KFB3ANA1BBB              | KFB3AEA2GBB |
| KFB3ALA2RBB   |                          | KFB3AEA2RBB |

<sup>1</sup>The part number configuration matrix below provides details to the part numbers above. For configurable part numbers that are not listed above, not listed in your region, or for custom part numbers, contact the factory or your distributor.

### Part Number Breakdown



<sup>2</sup>See Electrical Specifications section



<sup>3</sup>Black actuator is only available for non-lighted; others only for lighted.



## Electrical Specifications

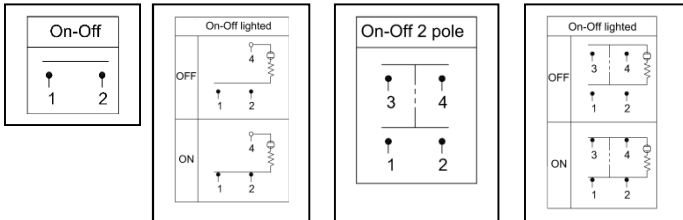
|   |  |                           |
|---|--|---------------------------|
| Dielectric Strength                                 | 1500 VAC for 1 minute                    |                           |
| Insulation Resistance                               | 100 MΩ min at 500 VDC                    |                           |
| Initial Contact Resistance                          | 0.050 Ω max                              |                           |
| <b>Electrical Ratings</b>                           |  |                           |
| Lighting Option                                     | UL1054                                   | VDC <sup>3</sup>          |
| N   | 10 A 125 VAC 1/2 HP / 6 A 250 VAC 1/2 HP | 20 A 14 VDC / 10 A 28 VDC |
| E, L  | 10 A 125 VAC 1/2 HP / 6 A 250 VAC 1/2 HP | N/A                       |
| C   | N/A                                      | 10 A 28 VDC               |
| M   | N/A                                      | 20 A 14 VDC               |
| Electrical Life at Rated Load<br>Minimum Operations | UL                                       | 6,000                     |

<sup>3</sup>DC ratings not agency approved  
UL File No: E23301

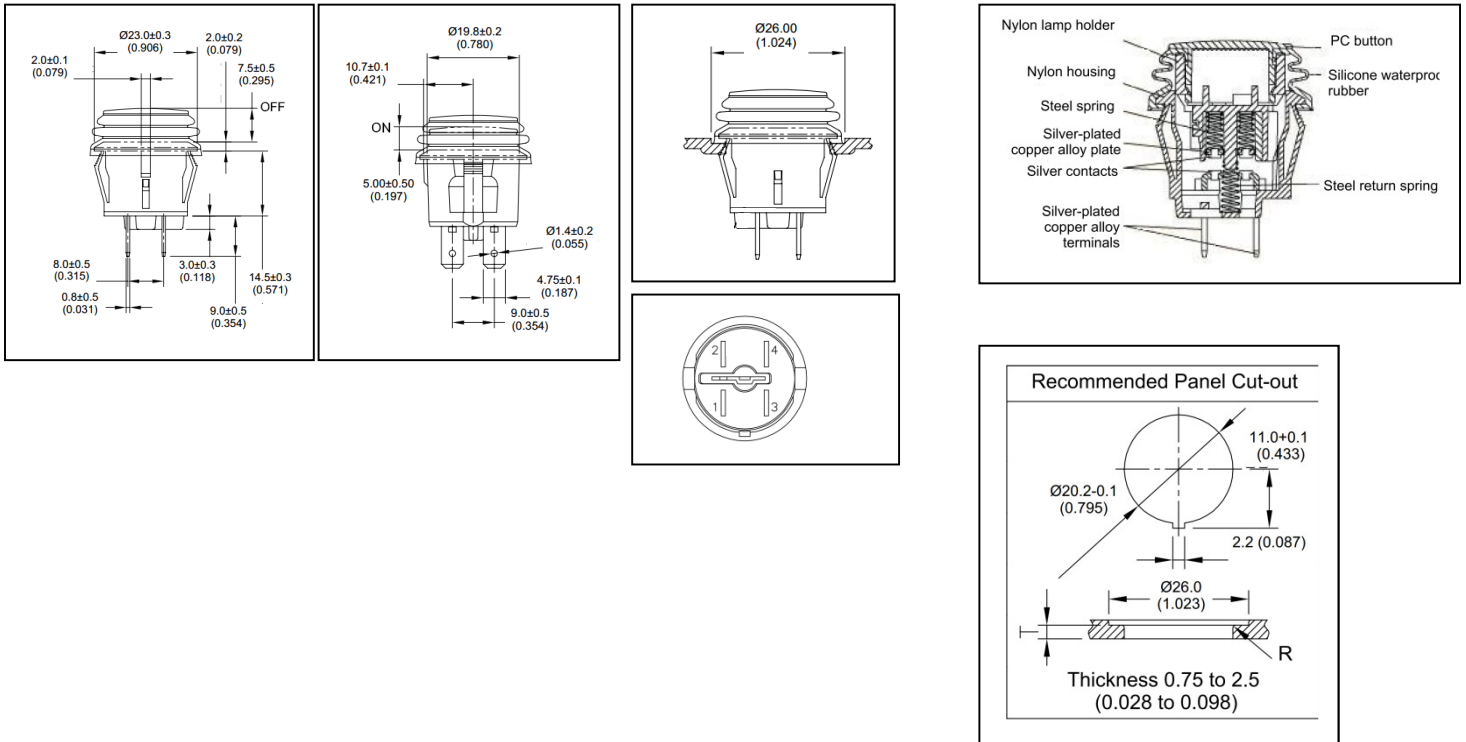
## Material and Environmental Specifications

|                             |                                      |
|-----------------------------|--------------------------------------|
| Actuator                    | Polycarbonate 94V-2                  |
| Housing                     | Nylon 66 94V-2                       |
| Spring                      | Steel                                |
| Contacts                    | Silver Alloy                         |
| Movable Arm                 | Silver-Plated Copper Alloy           |
| Terminals                   | Silver-Plated Copper Alloy           |
| Rubber Boot                 | Silicone                             |
| Operating Temperature Range | -25 °C to +85 °C (-13 °F to +185 °F) |
| Ingress Protection          | IP65                                 |

## Circuitry and Switch Functions – (ON)-OFF has same connections as ON-OFF; spring return on switch



## Dimensions mm (inches)



## Looking for pricing, stock, or lifecycle information?

Click below to explore more details on WIN SOURCE:

 [View KFB3ANA1BBB on WIN SOURCE](#)

 [ZF Electronics](#) Information

## Optimize Your Supply Chain with WIN SOURCE Solutions

-  Global Sourcing Solution
-  Obsolete Management
-  Cost Control Management
-  Shortage Management
-  Alternative Solution
-  Excess Inventory Management