



**THE DATASHEET OF  
RA11131100**

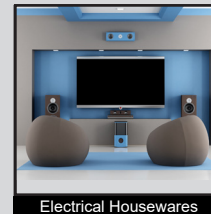
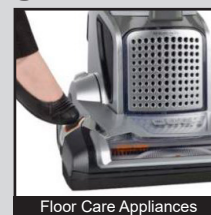
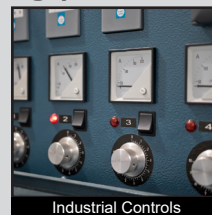


# RA1 SERIES ROCKER SWITCH

ANTI-VANDAL SWITCHES  
DETECTOR SWITCHES  
DIP SWITCHES  
KEYLOCK SWITCHES  
NAVIGATION SWITCHES  
PUSHBUTTON SWITCHES  
ROCKER SWITCHES  
ROTARY SWITCHES  
SLIDE SWITCHES  
SNAP ACTION SWITCHES  
TACTILE SWITCHES  
TOGGLE SWITCHES  
CAP OPTIONS



## APPLICATIONS / MARKETS



**RoHS**

## SPECIFICATIONS

### Electrical Rating:

Option 3: 10A 125VAC [UR, cUR]

Option C: 16A 125VAC [UR, cUR]

10A 250VAC [UR, cUR]

**Operating Temperature:** -20°C to 55°C

**Electrical Life:** 10,000 Cycles

**Contact Resistance:** 30mΩ Max.

**Insulation Resistance:** 500MΩ Min. at 500VDC

**Dielectric Strength:** 1,000VAC for 1 min.

**Ingress Protection:** IP54 with PVC Cap (ACC-P01)

## FEATURES & BENEFITS

- High Rating
- Snap in with multiple terminal options
- Many functions available

## PART NUMBER CONFIGURATOR

Series	Terminal	Function	Rating	Body Color	Actuator Color	Marking Color	Marking Type	Lens Style	Lens Color	Lamp Voltage
<input type="checkbox"/> <input type="checkbox"/> <input type="checkbox"/> RA1 - Curved Actuator	<input type="checkbox"/> 1 - 4.8mm Tab	<input type="checkbox"/> 0 - Signal / Blank 1 - Off - On 3 - On - On 4 - Off - (On) 5 - On - Off - On A - On - (Off) C - On - Off - (On)	<input type="checkbox"/> 0 - Signal / Blank 3 - 10A 125V C - 16A 125V	<input type="checkbox"/> 1 - Black 2 - White 4 - Grey	<input type="checkbox"/> 0 - Full Illumination 1 - Black 2 - White 4 - Grey 7 - Blue 8 - Green 9 - Red	<input type="checkbox"/> 0 - None 1 - Black 2 - White 8 - Red	<input type="checkbox"/> 0 - None 1 - I/O Vertical 2 - ON-OFF-ON Vertical 3 - ON-OFF Vertical 4 - ON-OFF Horizontal 9 - I/O/II Horizontal R - I/O Horizontal S - I/O/II Vertical	<input type="checkbox"/> None - Not Illuminated 1 - Signal	<input type="checkbox"/> None - Not Illuminated 0 - Clear 1 - Red 2 - Amber 3 - Green 4 - Blue 5 - Yellow	<input type="checkbox"/> None - Not Illuminated 3 - 6V 4 - 12V 6 - 125V 7 - 250V

### NOTES:

1. Other terminal options available upon request.
2. ( ) denotes function is momentary

Specifications subject to change without notice 11.3.2022



**E-SWITCH®**

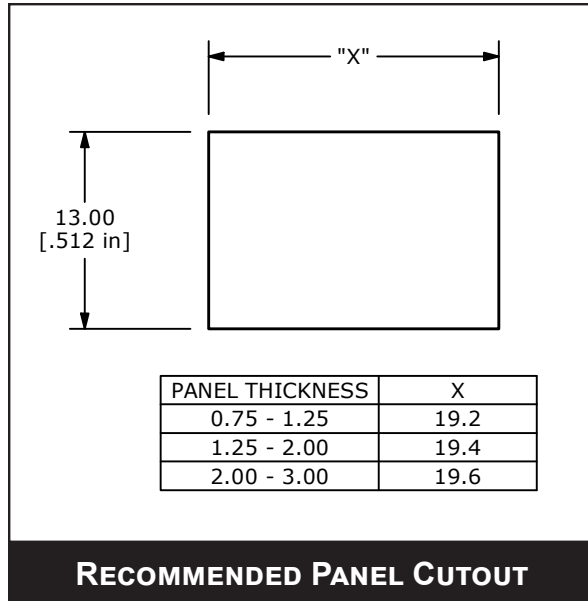
www.e-switch.com

800.867.2717

1

# RA1 SERIES ROCKER SWITCH

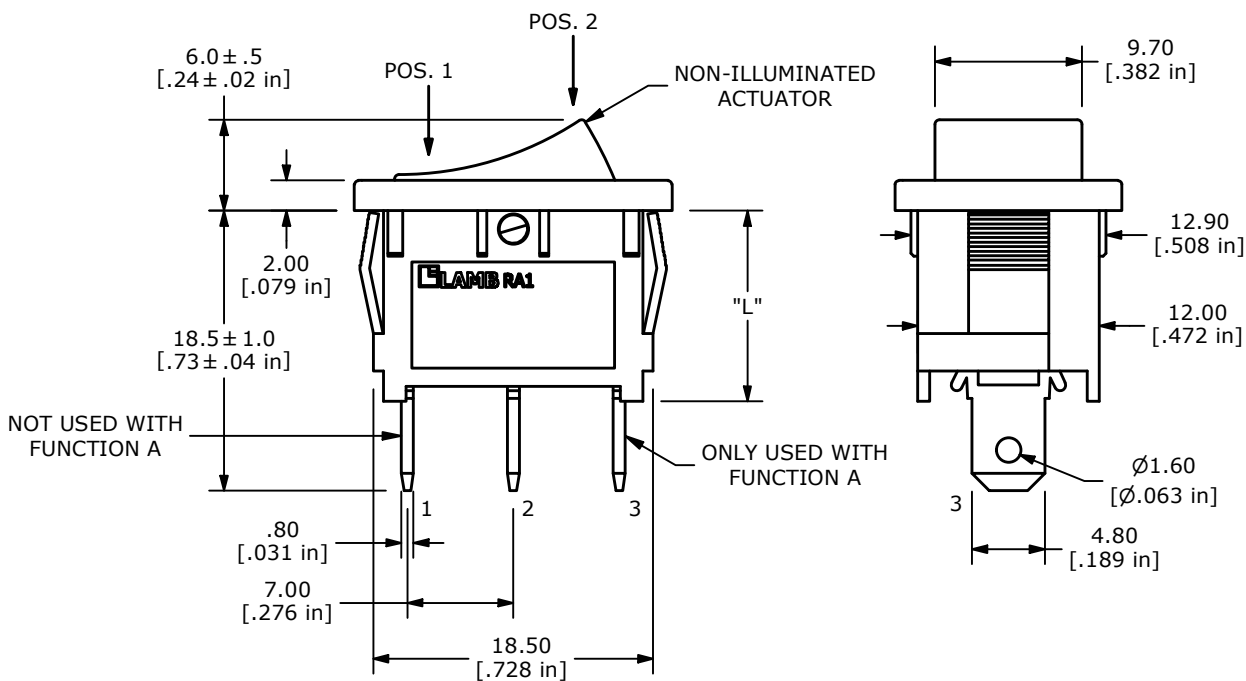
## 2 POS. NON-ILLUMINATED BODY DIMENSIONS



SWITCH FUNCTIONS	POS. 1	POS. 2
1 - OFF - ON	OPEN	2-1
4 - OFF - (ON)	OPEN	2-1
A - ON - (OFF)	2-3	OPEN

( ) = DENOTES MOMENTARY

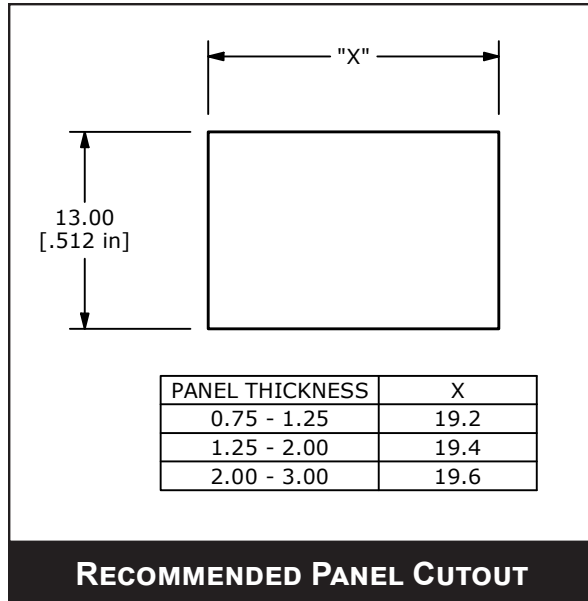
RATING	"L"
3	11.6
C	12.6





# RA1 SERIES ROCKER SWITCH

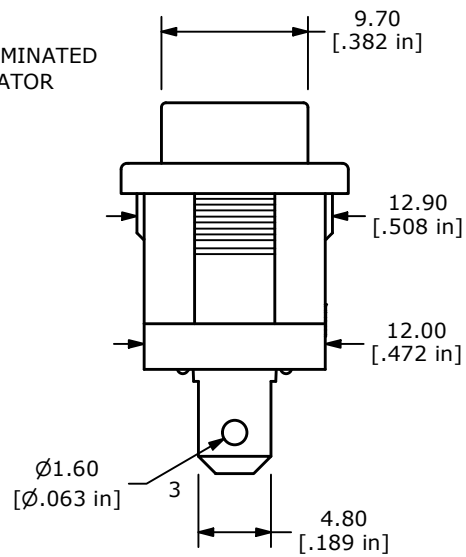
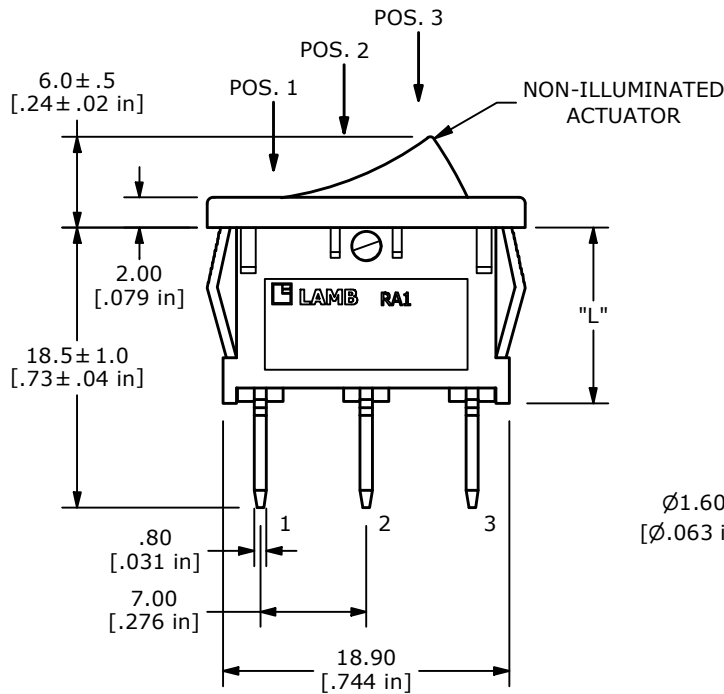
## 3 POS. NON-ILLUMINATED BODY DIMENSIONS



SWITCH FUNCTIONS	POS. 1	POS. 2	POS. 3
5 - ON-OFF-ON	2-3	OPEN	2-1
C - ON-OFF-(ON)	2-3	OPEN	2-1

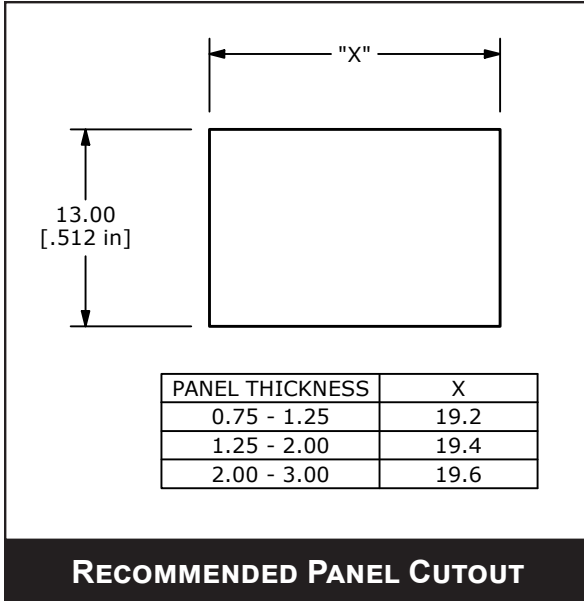
( ) = DENOTES MOMENTARY

RATING	"L"
3	11.6
C	12.6



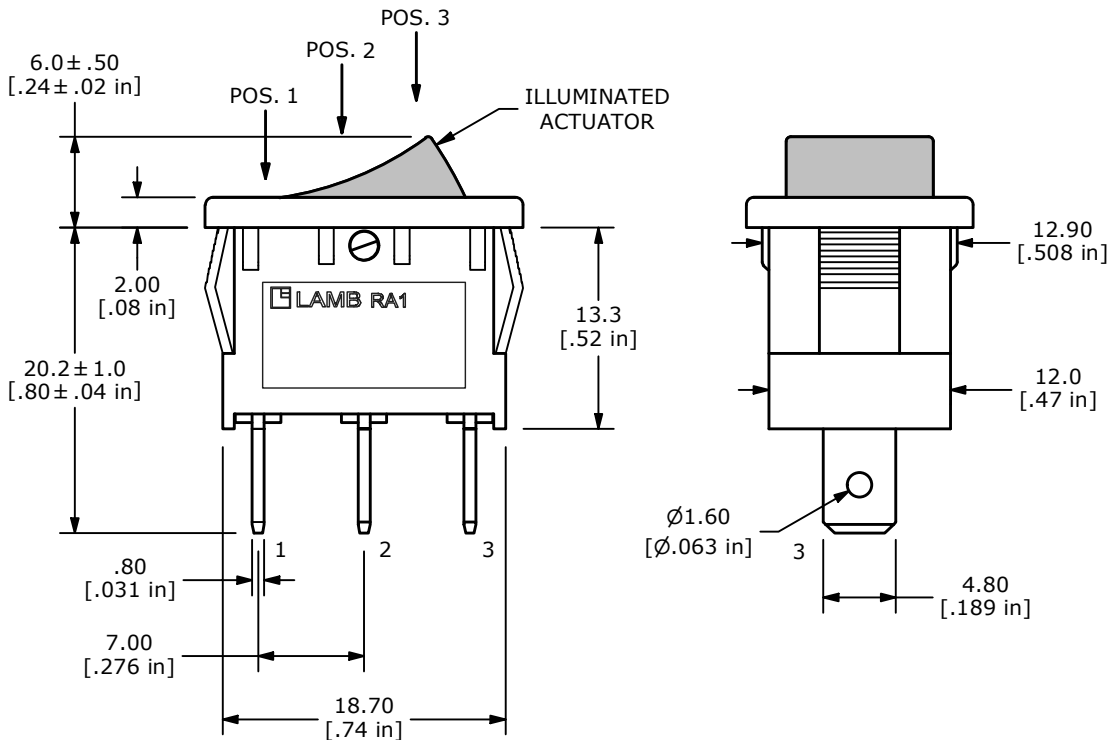
# RA1 SERIES ROCKER SWITCH

## 3 POS. ILLUMINATED BODY DIMENSIONS



SWITCH FUNCTIONS	POS. 1	POS. 2	POS. 3
5 - ON-OFF-ON	2-3	OPEN	2-1
C - ON-OFF-(ON)	2-3	OPEN	2-1

( ) = DENOTES MOMENTARY

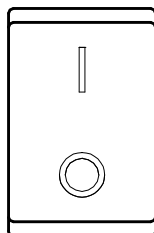


# RA1 SERIES ROCKER SWITCH

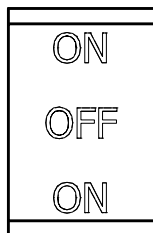
## MARKING TYPE



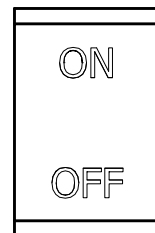
0 - NONE



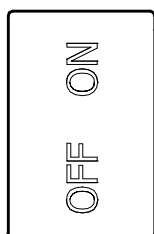
1 - I/O  
VERTICAL



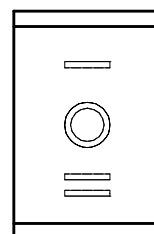
2 - ON/OFF/ON  
VERTICAL



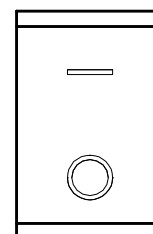
3 - ON-OFF  
VERTICAL



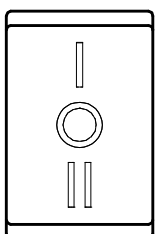
4 - ON-OFF  
HORIZONTAL



9 - I/O/II  
HORIZONTAL



R - I/O  
HORIZONTAL



S - I/O/II  
VERTICAL

ANTI-VANDAL  
SWITCHES

DETECTOR  
SWITCHES

DIP  
SWITCHES

KEYLOCK  
SWITCHES

NAVIGATION  
SWITCHES

PUSHBUTTON  
SWITCHES

**ROCKER  
SWITCHES**

ROTARY  
SWITCHES

SLIDE  
SWITCHES

SNAP ACTION  
SWITCHES

TACTILE  
SWITCHES

TOGGLE  
SWITCHES

CAP  
OPTIONS



## Looking for pricing, stock, or lifecycle information?

Click below to explore more details on WIN SOURCE:

 [View RA11131100 on WIN SOURCE](#)

 [E-SWITCH](#) Information

## Optimize Your Supply Chain with WIN SOURCE Solutions

-  Global Sourcing Solution
-  Obsolete Management
-  Cost Control Management
-  Shortage Management
-  Alternative Solution
-  Excess Inventory Management