



# THE DATASHEET OF IKW20N60T





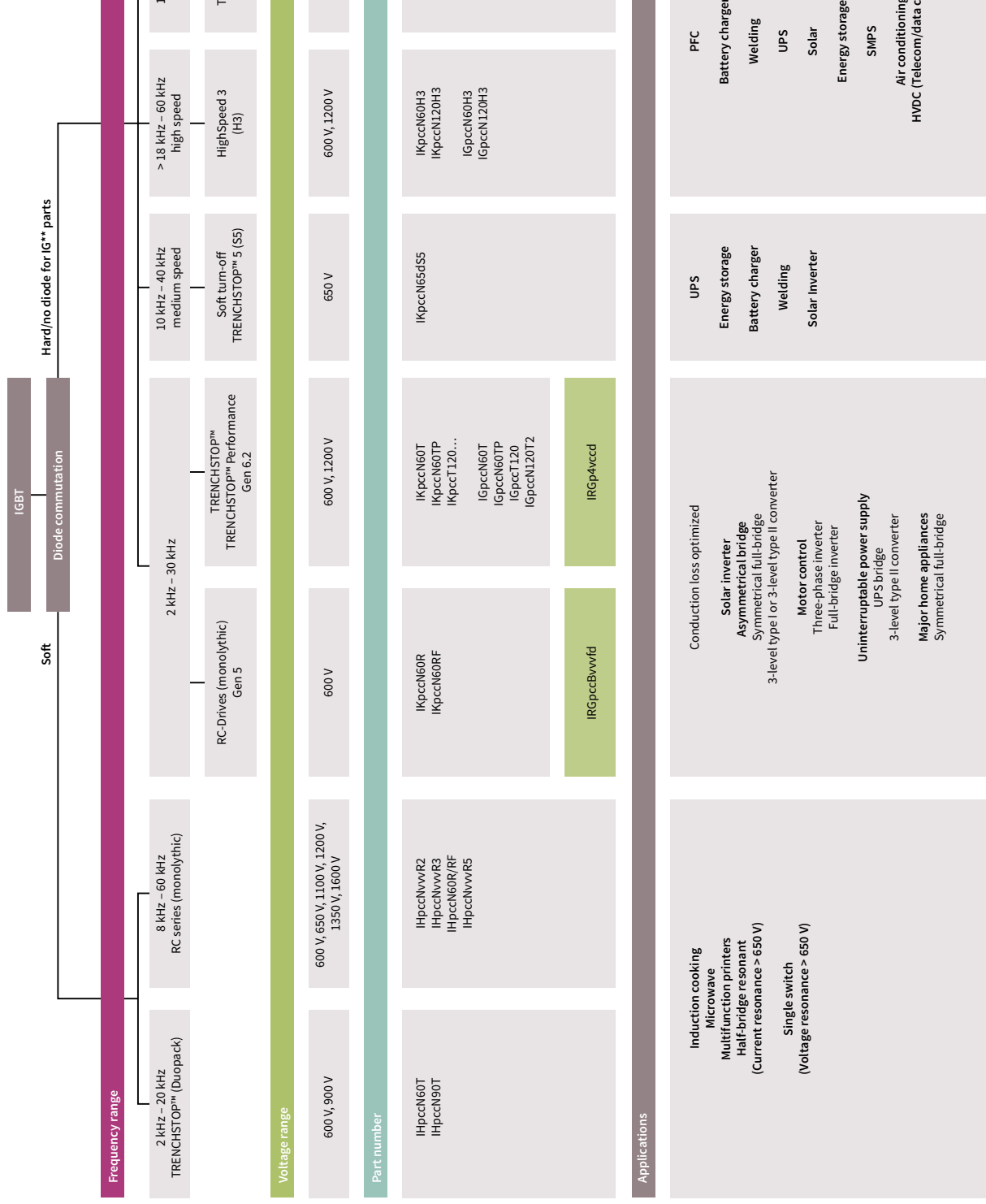
# IGBT Selection Guide

Common IGBT applications and topologies



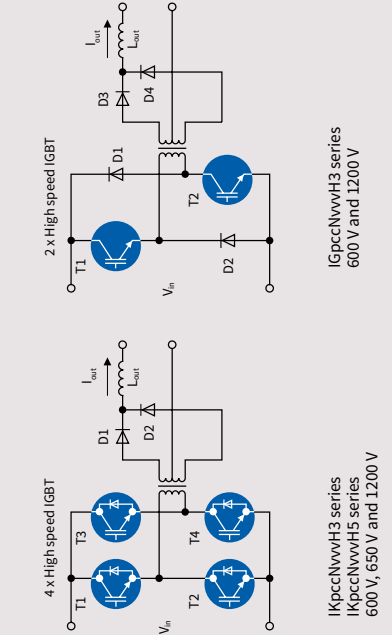
[www.infineon.com/igbt](http://www.infineon.com/igbt)

# IGBT selection tree

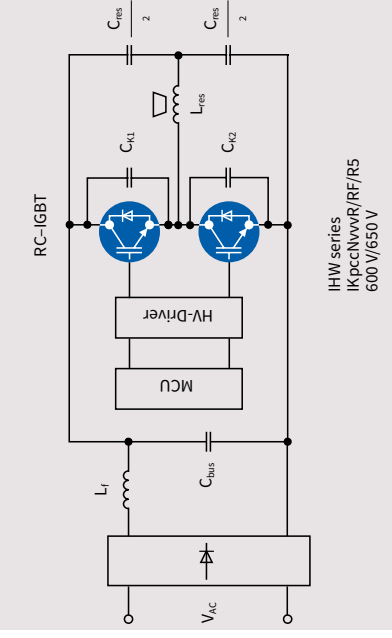


# Common IGBT applications and topologies

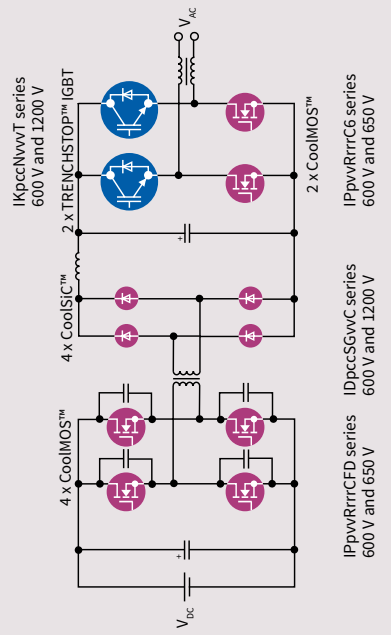
**Full-bridge/two transistor forward: welding inverter**



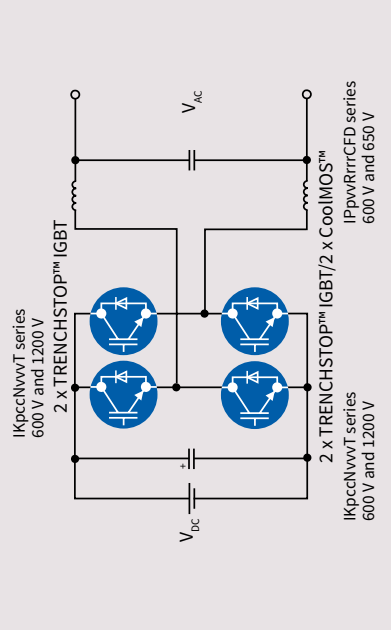
**Half-bridge: induction heating inverter (current resonance)**



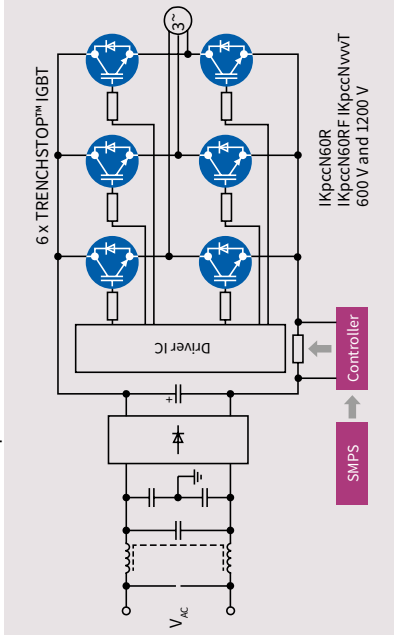
**Asymmetrical full-bridge: solar inverter (phase-shift and asymmetrical full-bridge)**



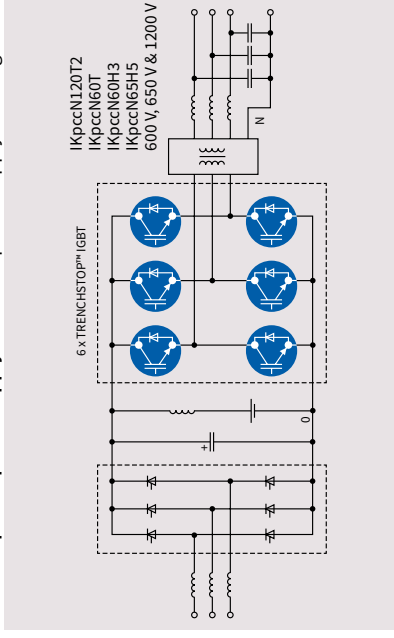
**Symmetrical full-bridge: solar inverter (symmetrical full-bridge)**



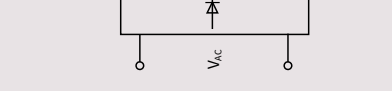
**Motor control: three-phase motor control**



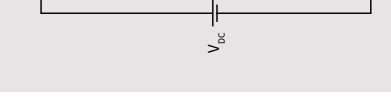
**Uninterruptable power supply: universal power supply b6-bridge**



**Single swi**



**Three level**



## IGBT with anti-parallel diode

Product type	$V_{CE(sat)}$ [V]	Diode	Switching frequency [F]	Package	Switching Hard/Soft	Series	$I_{C(max)}$ at 100° [A]	$V_{CE(sat)}$ (typ) at 25° [V]
IKW20N60H3	600	Y	18 kHz – 60 kHz	TO-247	Hard	HighSpeed 3	20	1.95
IKB20N60H3	600	Y	18 kHz – 60 kHz	TO-263	Hard	HighSpeed 3	20	1.95
IKP20N60H3	600	Y	18 kHz – 60 kHz	TO-220	Hard	HighSpeed 3	20	1.95
IKW30N60H3	600	Y	18 kHz – 60 kHz	TO-247	Hard	HighSpeed 3	30	1.95
IKW40N60H3	600	Y	18 kHz – 60 kHz	TO-247	Hard	HighSpeed 3	40	1.95
IKW50N60H3	600	Y	18 kHz – 60 kHz	TO-247	Hard	HighSpeed 3	50	1.85
IKW60N60H3	600	Y	18 kHz – 60 kHz	TO-247	Hard	HighSpeed 3	60	1.85
IKW75N60H3	600	Y	18 kHz – 60 kHz	TO-247	Hard	HighSpeed 3	75	1.85
IKW15N120H3	1200	Y	18 kHz – 60 kHz	TO-247	Hard	HighSpeed 3	15	2.05
IKW25N120H3	1200	Y	18 kHz – 60 kHz	TO-247	Hard	HighSpeed 3	25	2.05
IKW40N120H3	1200	Y	18 kHz – 60 kHz	TO-247	Hard	HighSpeed 3	40	2.05
IKD04N60R	600	Y	2 Hz – 4 kHz	TO-252	Hard	RC-Drives	4	1.65
IKD06N60R	600	Y	2 Hz – 4 kHz	TO-252	Hard	RC-Drives	6	1.65
IKD10N60R	600	Y	2 Hz – 4 kHz	TO-252	Hard	RC-Drives	10	1.65
IKD15N60R	600	Y	2 Hz – 4 kHz	TO-252	Hard	RC-Drives	15	1.65
IKW30N65WR5	650	Y	>18 kHz – 60 kHz	TO-247	Hard	RC TRENCHSTOP™ 5	30	1.40
IKW40N65WR5	650	Y	>18 kHz – 60 kHz	TO-247	Hard	RC TRENCHSTOP™ 5	40	1.40
IKW50N65WR5	650	Y	>18 kHz – 60 kHz	TO-247	Hard	RC TRENCHSTOP™ 5	50	1.40
IKD03N60RF	600	Y	4 kHz – 30 kHz	TO-252	Hard	RC-Drives Fast	2.5	2.2
IKD04N60RF	600	Y	4 kHz – 30 kHz	TO-252	Hard	RC-Drives Fast	4	2.2
IKD06N60RF	600	Y	4 kHz – 30 kHz	TO-252	Hard	RC-Drives Fast	6	2.2
IKD10N60RF	600	Y	4 kHz – 30 kHz	TO-252	Hard	RC-Drives Fast	10	2.2
IKD15N60RF	600	Y	4 kHz – 30 kHz	TO-252	Hard	RC-Drives Fast	15	2.2
IHW40N60R	600	Y	8 kHz – 40 kHz	TO-247	Soft	RC Soft Switching	40	1.65
IHW40N60RF	600	Y	18 kHz – 60 kHz	TO-247	Soft	RC Fast Soft Switching	40	1.85
IHW20N65R5	650	Y	8 kHz – 60 kHz	TO-247	Soft	RC Soft Switching	20	1.35
IHW40N65R5	650	Y	8 kHz – 60 kHz	TO-247	Soft	RC Soft Switching	40	1.35
IHW50N65R5	650	Y	8 kHz – 60 kHz	TO-247	Soft	RC Soft Switching	50	1.35
IHW30N110R3	1100	Y	8 kHz – 60 kHz	TO-247	Soft	RC Soft Switching	30	1.55
IHW15N120R3	1200	Y	8 kHz – 60 kHz	TO-247	Soft	RC Soft Switching	15	1.48
IHW20N120R3	1200	Y	8 kHz – 60 kHz	TO-247	Soft	RC Soft Switching	20	1.48
IHW20N120R5	1200	Y	8 kHz – 60 kHz	TO-247	Soft	RC Soft Switching	20	1.55
IHW25N120R2	1200	Y	8 kHz – 60 kHz	TO-247	Soft	RC Soft Switching	25	1.6
IHW30N120R3	1200	Y	8 kHz – 60 kHz	TO-247	Soft	RC Soft Switching	30	1.55
IHW30N120R2	1200	Y	8 kHz – 60 kHz	TO-247	Soft	RC Soft Switching	30	1.65
IHW40T120	1200	Y	8 kHz – 60 kHz	TO-247	Soft	RC Soft Switching	40	1.8
IHW40N120R3	1200	Y	8 kHz – 60 kHz	TO-247	Soft	RC Soft Switching	40	1.55
IHW20N135R3	1350	Y	8 kHz – 60 kHz	TO-247	Soft	RC Soft Switching	20	1.6
IHW20N135R5	1350	Y	8 kHz – 60 kHz	TO-247	Soft	RC Soft Switching	20	1.65
IHW30N135R3	1350	Y	8 kHz – 60 kHz	TO-247	Soft	RC Soft Switching	30	1.65
IHW40N135R3	1350	Y	8 kHz – 60 kHz	TO-247	Soft	RC Soft Switching	40	1.65
IHW30N160R2	1600	Y	8 kHz – 60 kHz	TO-247	Soft	RC Soft Switching	30	1.8
IKP04N60T	600	Y	2 kHz – 20 kHz	TO-220	Hard	TRENCHSTOP™	4	1.5

IKB06N60T	600	Y	2 kHz – 20 kHz	TO-263	Hard	TRENCHSTOP™	6	1.5
IKP06N60T	600	Y	2 kHz – 20 kHz	TO-220	Hard	TRENCHSTOP™	6	1.5
IKA06N60T	600	Y	2 kHz – 20 kHz	TO-220 FullPAK	Hard	TRENCHSTOP™	6.2	1.5
IKA10N60T	600	Y	2 kHz – 20 kHz	TO-220 FullPAK	Hard	TRENCHSTOP™	7.2	1.5
IKA15N60T	600	Y	2 kHz – 20 kHz	TO-220 FullPAK	Hard	TRENCHSTOP™	8.9	1.5
IKP10N60T	600	Y	2 kHz – 20 kHz	TO-220	Hard	TRENCHSTOP™	18	1.5
IKB10N60T	600	Y	2 kHz – 20 kHz	TO-263	Hard	TRENCHSTOP™	18	1.5
IKB15N60T	600	Y	2 kHz – 20 kHz	TO-263	Hard	TRENCHSTOP™	23	1.5
IKP15N60T	600	Y	2 kHz – 20 kHz	TO-220	Hard	TRENCHSTOP™	23	1.5
IKW20N60T	600	Y	2 kHz – 20 kHz	TO-247	Hard	TRENCHSTOP™	20	1.5
IKB20N60T	600	Y	2 kHz – 20 kHz	TO-263	Hard	TRENCHSTOP™	20	1.5
IKP20N60T	600	Y	2 kHz – 20 kHz	TO-220	Hard	TRENCHSTOP™	28	1.5
IHW30N60T	600	Y	2 kHz – 20 kHz	TO-247	Soft	TRENCHSTOP™	30	1.5
IKW30N60T	600	Y	2 kHz – 20 kHz	TO-247	Hard	TRENCHSTOP™	39	1.5
IHW40T60	600	Y	2 kHz – 20 kHz	TO-247	Soft	TRENCHSTOP™	40	1.55
IKW50N60T	600	Y	2 kHz – 20 kHz	TO-247	Hard	TRENCHSTOP™	50	1.5
IKW75N60T	600	Y	2 kHz – 20 kHz	TO-247	Hard	TRENCHSTOP™	75	1.5
IKQ100N60T	600	Y	2 kHz – 20 kHz	TO-247PLUS	Hard	TRENCHSTOP™	100	1.5
IKQ120N60T	600	Y	2 kHz – 20 kHz	TO-247PLUS	Hard	TRENCHSTOP™	120	1.5
IKW08T120	1200	Y	2 kHz – 20 kHz	TO-247	Hard	TRENCHSTOP™	8	1.7
IKW15T120	1200	Y	2 kHz – 20 kHz	TO-247	Hard	TRENCHSTOP™	15	1.7
IKW25T120	1200	Y	2 kHz – 20 kHz	TO-247	Hard	TRENCHSTOP™	25	1.7
IKW40T120	1200	Y	2 kHz – 20 kHz	TO-247	Hard	TRENCHSTOP™	40	1.7
IKW15N120T2	1200	Y	2 kHz – 20 kHz	TO-247	Hard	TRENCHSTOP™ 2	15	1.7
IKW25N120T2	1200	Y	2 kHz – 20 kHz	TO-247	Hard	TRENCHSTOP™ 2	25	1.7
IKW40N120T2	1200	Y	2 kHz – 20 kHz	TO-247	Hard	TRENCHSTOP™ 2	40	1.75
IKA08N65F5/H5	650	Y	30 kHz – 120 kHz	TO-220 FullPAK	Hard	TRENCHSTOP™ 5	6.8	1.6/1.65
IKA15N65F5/H5	650	Y	30 kHz – 120 kHz	TO-220 FullPAK	Hard	TRENCHSTOP™ 5	8.5	1.6/1.65
IKP08N65F5/H5	650	Y	30 kHz – 120 kHz	TO-220	Hard	TRENCHSTOP™ 5	11	1.6/1.65
IKP15N65F5/H5	650	Y	30 kHz – 120 kHz	TO-220	Hard	TRENCHSTOP™ 5	18	1.6/1.65
IKP20N65F5/H5	650	Y	30 kHz – 120 kHz	TO-220	Hard	TRENCHSTOP™ 5	21	1.6/1.65
IKP30N65F5/H5	650	Y	30 kHz – 120 kHz	TO-220	Hard	TRENCHSTOP™ 5	35	1.6/1.65
IKP40N65F5/H5	650	Y	30 kHz – 120 kHz	TO-220	Hard	TRENCHSTOP™ 5	46	1.6/1.65
IKW40N65F5/H5	650	Y	30 kHz – 120 kHz	TO-247	Hard	TRENCHSTOP™ 5	46	1.6/1.65
IKW50N65F5/H5	650	Y	30 kHz – 120 kHz	TO-247	Hard	TRENCHSTOP™ 5	56	1.6/1.65
IKW50N65EH5	650	Y	30 kHz – 100 kHz	TO-247	Hard	TRENCHSTOP™ 5	50	1.65
IKW75N65EH5	650	Y	30 kHz – 100 kHz	TO-247	Hard	TRENCHSTOP™ 5	75	1.65
IKZ50N65NH5	650	Y	30 kHz – 100 kHz	TO-247 4pin	Hard	TRENCHSTOP™ 5	50	1.65
IKZ50N65EH5	650	Y	30 kHz – 100 kHz	TO-247 4pin	Hard	TRENCHSTOP™ 5	50	1.65
IKZ75N65NH5	650	Y	30 kHz – 100 kHz	TO-247 4pin	Hard	TRENCHSTOP™ 5	75	1.76
IKZ75N65EH5	650	Y	30 kHz – 100 kHz	TO-247 4pin	Hard	TRENCHSTOP™ 5	75	1.76
IKW30N65E55	650	Y	10 kHz – 40 kHz	TO-247	Hard	TRENCHSTOP™ 5	39.5	1.35
IKW40N65E55	650	Y	10 kHz – 40 kHz	TO-247	Hard	TRENCHSTOP™ 5	50	1.35
IKW50N65E55	650	Y	10 kHz – 40 kHz	TO-247	Hard	TRENCHSTOP™ 5	60.5	1.35
IKW75N65E55	650	Y	10 kHz – 40 kHz	TO-247	Hard	TRENCHSTOP™ 5	80	1.42
IKW30N65NL5	650	Y	50 Hz – 20 kHz	TO-247	Hard	TRENCHSTOP™ 5	62	1.05
IKW30N65EL5	650	Y	50 Hz – 20 kHz	TO-247	Hard	TRENCHSTOP™ 5	62	1.05
IKW75N65EL5	650	Y	50 Hz – 20 kHz	TO-247	Hard	TRENCHSTOP™ 5	80	1.10
IKZ75N65EL5	650	Y	50 Hz – 20 kHz	TO-247 4pin	Hard	TRENCHSTOP™ 5	100	1.10

## IGBT without anti-parallel diode

Product type	$V_{CE(max)}$ [V]	Diode	Switching frequency [F]	Package	Switching Hard/Soft	Series	$I_{C(max)}$ at 100° [A]	$V_{CE(sat)}$ (typ) at 25° [V]
IGA30N60H3	600	N	18 kHz – 60 kHz	TO-220 FullPAK	Hard	HighSpeed 3	11	1.95
IGB20N60H3	600	N	18 kHz – 60 kHz	TO-263	Hard	HighSpeed 3	20	1.95
IGP20N60H3	600	N	18 kHz – 60 kHz	TO-220	Hard	HighSpeed 3	20	1.95
IGW20N60H3	600	N	18 kHz – 60 kHz	TO-247	Hard	HighSpeed 3	20	1.95
IGP30N60H3	600	N	18 kHz – 60 kHz	TO-220	Hard	HighSpeed 3	30	1.95
IGB30N60H3	600	N	18 kHz – 60 kHz	TO-263	Hard	HighSpeed 3	30	1.95
IGW30N60H3	600	N	18 kHz – 60 kHz	TO-247	Hard	HighSpeed 3	30	1.95
IGW40N60H3	600	N	18 kHz – 60 kHz	TO-247	Hard	HighSpeed 3	40	1.95
IGW50N60H3	600	N	18 kHz – 60 kHz	TO-247	Hard	HighSpeed 3	50	1.85
IGW60N60H3	600	N	18 kHz – 60 kHz	TO-247	Hard	HighSpeed 3	60	1.85
IGW75N60H3	600	N	18 kHz – 60 kHz	TO-247	Hard	HighSpeed 3	75	1.85
IGW100N60H3	600	N	18 kHz – 60 kHz	TO-247	Hard	HighSpeed 3	120	1.85
IGW15N120H3	1200	N	18 kHz – 60 kHz	TO-247	Hard	HighSpeed 3	15	2.05
IGW25N120H3	1200	N	18 kHz – 60 kHz	TO-247	Hard	HighSpeed 3	25	2.05
IGW40N120H3	1200	N	18 kHz – 60 kHz	TO-247	Hard	HighSpeed 3	40	2.05
IGD06N60T	600	N	2 kHz – 20 kHz	TO-252	Hard	TRENCHSTOP™	6	1.5
IGP06N60T	600	N	2 kHz – 20 kHz	TO-220	Hard	TRENCHSTOP™	6	1.5
IGB10N60T	600	N	2 kHz – 20 kHz	TO-263	Hard	TRENCHSTOP™	18	1.5
IGP10N60T	600	N	2 kHz – 20 kHz	TO-220	Hard	TRENCHSTOP™	18	1.5
IGB15N60T	600	N	2 kHz – 20 kHz	TO-263	Hard	TRENCHSTOP™	23	1.5
IGP15N60T	600	N	2 kHz – 20 kHz	TO-220	Hard	TRENCHSTOP™	23	1.5
IGB30N60T	600	N	2 kHz – 20 kHz	TO-263	Hard	TRENCHSTOP™	39	1.5
IGW30N60T	600	N	2 kHz – 20 kHz	TO-247	Hard	TRENCHSTOP™	39	1.5
IGB50N60T	600	N	2 kHz – 20 kHz	TO-263	Hard	TRENCHSTOP™	64	1.5
IGP50N60T	600	N	2 kHz – 20 kHz	TO-247	Hard	TRENCHSTOP™	64	1.5
IGW50N60T	600	N	2 kHz – 20 kHz	TO-247	Hard	TRENCHSTOP™	64	1.5
IGW75N60T	600	N	2 kHz – 20 kHz	TO-247	Hard	TRENCHSTOP™	75	1.5
IGW15T120	1200	N	2 kHz – 20 kHz	TO-247	Hard	TRENCHSTOP™	15	1.7
IGW25T120	1200	N	2 kHz – 20 kHz	TO-247	Hard	TRENCHSTOP™	25	1.7
IGW40T120	1200	N	2 kHz – 20 kHz	TO-247	Hard	TRENCHSTOP™	40	1.7
IGW60T120	1200	N	2 kHz – 20 kHz	TO-247	Hard	TRENCHSTOP™	60	1.9
IGW08T120	1200	N	2 kHz – 20 kHz	TO-247	Hard	TRENCHSTOP™	8	1.7
IGP20N65F5/H5	650	N	30 kHz – 120 kHz	TO-220	Hard	TRENCHSTOP™ 5	21	1.6/1.65
IGP40N65F5/H5	650	N	30 kHz – 120 kHz	TO-220	Hard	TRENCHSTOP™ 5	46	1.6/1.65
IGW40N65F5/H5	650	N	30 kHz – 120 kHz	TO-247	Hard	TRENCHSTOP™ 5	46	1.6/1.65
IGW50N65F5/H5	650	N	30 kHz – 120 kHz	TO-247	Hard	TRENCHSTOP™ 5	56	1.6/1.65
IGW75N65H5	650	N	30 kHz – 100 kHz	TO-247	Hard	TRENCHSTOP™ 5	75	1.65
IGZ50N65H5	650	N	30 kHz – 100 kHz	TO-247 4pin	Hard	TRENCHSTOP™ 5	54	1.65
IGZ75N65H5	650	N	30 kHz – 100 kHz	TO-247 4pin	Hard	TRENCHSTOP™ 5	75	1.65
IGZ100N65H5	650	N	30 kHz – 100 kHz	TO-247 4pin	Hard	TRENCHSTOP™ 5	101	1.65
IGW30N65L5	650	N	50 Hz – 20 kHz	TO-247	Hard	TRENCHSTOP™ 5	62	1.05
IGW30N60TP	600	N	2 kHz – 30 kHz	TO-247	Hard	TRENCHSTOP™ Performance	38	1.60

IGW40N60TP	600	N	2 kHz – 30 kHz	TO-247	Hard	TRENCHSTOP™ Performance	48	1.60
IGW50N60TP	600	N	2 kHz – 30 kHz	TO-247	Hard	TRENCHSTOP™ Performance	61	1.60
IKW30N60DTP	600	Y	2 kHz – 30 kHz	TO-247	Hard	TRENCHSTOP™ Performance	38	1.60
IKW40N60DTP	600	Y	2 kHz – 30 kHz	TO-247	Hard	TRENCHSTOP™ Performance	48	1.60
IKW50N60DTP	600	Y	2 kHz – 30 kHz	TO-247	Hard	TRENCHSTOP™ Performance	61	1.60

## Gen 5 and Gen 6.2 Discrete IGBTs

Product type	V <sub>CE(max)</sub> [V]	Diode	Switching frequency [F]	Package	Switching Hard/Soft	Series	I <sub>CE(max)</sub> at 100° [A]	V <sub>CE(sat)</sub> (typ) [V]
IRGR2B60KD	600	Y	8 kHz – 30 kHz	DPAK	Hard	Gen 5	3.7	1.83
IRGR3B60KD2	600	Y	8 kHz – 30 kHz	DPAK	Hard	Gen 5	4.2	1.9
IRGS4B60K	600	N	8 kHz – 30 kHz	D <sup>2</sup> PAK	Hard	Gen 5	6.8	2.1
IRGB4B60K	600	N	8 kHz – 30 kHz	TO-220	Hard	Gen 5	6.8	2.1
IRGS6B60K	600	N	8 kHz – 30 kHz	D <sup>2</sup> PAK	Hard	Gen 5	7	1.8
IRGB6B60K	600	N	8 kHz – 30 kHz	TO-220	Hard	Gen 5	7	1.8
IRGSL6B60KD	600	Y	8 kHz – 30 kHz	TO-262, TO-251	Hard	Gen 5	7	1.8
IRGS6B60KD	600	Y	8 kHz – 30 kHz	D <sup>2</sup> PAK	Hard	Gen 5	7	1.8
IRGB6B60KD	600	Y	8 kHz – 30 kHz	TO-220	Hard	Gen 5	7	1.8
IRGIB6B60KD	600	Y	8 kHz – 30 kHz	TO-220 FullPAK	Hard	Gen 5	7	1.8
IRGSL4B60KD1	600	Y	8 kHz – 30 kHz	TO-262, TO-251	Hard	Gen 5	7.6	2.1
IRGS4B60KD1	600	Y	8 kHz – 30 kHz	D <sup>2</sup> PAK	Hard	Gen 5	7.6	2.1
IRGS4B60KD1	600	Y	8 kHz – 30 kHz	TO-220	Hard	Gen 5	7.6	2.1
IRGR4607D	600	Y	8 kHz – 30 kHz	DPAK	Hard	Gen 6.2	7	1.75
IRGS4607D	600	Y	8 kHz – 30 kHz	D <sup>2</sup> PAK	Hard	Gen 6.2	7	1.75
IRGB4607D	600	Y	8 kHz – 30 kHz	TO-220	Hard	Gen 6.2	7	1.75
IRGIB4607D*	600	Y	8 kHz – 30 kHz	TO-220 FullPAK	Hard	Gen 6.2	7	1.75
IRGR4610D	600	Y	8 kHz – 30 kHz	DPAK	Hard	Gen 6.2	10	1.7
IRGS4610D	600	Y	8 kHz – 30 kHz	D <sup>2</sup> PAK	Hard	Gen 6.2	10	1.7
IRGB4610D	600	Y	8 kHz – 30 kHz	TO-220	Hard	Gen 6.2	10	1.7
IRGIB4610D*	600	Y	8 kHz – 30 kHz	TO-220 FullPAK	Hard	Gen 6.2	10	1.7
IRGS4615D	600	Y	8 kHz – 30 kHz	D <sup>2</sup> PAK	Hard	Gen 6.2	15	1.55
IRGB4615D	600	Y	8 kHz – 30 kHz	TO-220	Hard	Gen 6.2	15	1.55
IRGIB4615D*	600	Y	8 kHz – 30 kHz	TO-220 FullPAK	Hard	Gen 6.2	15	1.55
IRGS4620D	600	Y	8 kHz – 30 kHz	D <sup>2</sup> PAK	Hard	Gen 6.2	20	1.55
IRGB4620D	600	Y	8 kHz – 30 kHz	TO-220	Hard	Gen 6.2	20	1.55
IRGIB4620D	600	Y	8 kHz – 30 kHz	TO-220 FullPAK	Hard	Gen 6.2	20	1.55
IRGP4620D	600	Y	8 kHz – 30 kHz	TO-247	Hard	Gen 6.2	20	1.55
IRGP4620D-E	600	Y	8 kHz – 30 kHz	TO-247 (Long Lead)	Hard	Gen 6.2	20	1.55
IRGS4630D	600	Y	8 kHz – 30 kHz	D <sup>2</sup> PAK	Hard	Gen 6.2	30	1.65
IRGB4630D	600	Y	8 kHz – 30 kHz	TO-220	Hard	Gen 6.2	30	1.65
IRGIB4630D	600	Y	8 kHz – 30 kHz	TO-220 FullPAK	Hard	Gen 6.2	30	1.65
IRGP4630D	600	Y	8 kHz – 30 kHz	TO-247	Hard	Gen 6.2	30	1.65
IRGP4630D-E	600	Y	8 kHz – 30 kHz	TO-247 (Long Lead)	Hard	Gen 6.2	30	1.65
IRGS4640D	600	Y	8 kHz – 30 kHz	D <sup>2</sup> PAK	Hard	Gen 6.2	40	1.6
IRGB4640D	600	Y	8 kHz – 30 kHz	TO-220	Hard	Gen 6.2	40	1.6

Switching Frequency [F]	Package	Switching Hard/Soft	Series	$I_{C_{max}}$ at 100° [A]	$V_{CE(EM)}$ (typ) at 25° [V]	$E_{off}$ (typ) at 25° [mJ]	$E_{on}$ (typ) at 25° [mJ]	$Q_{rr}$ (typ) at 25° [nC]
30 KHz	TO-220 FullPAK	Hard	Gen 6.2	40	1.6	0.115	0.6	-
30 KHz	TO-247	Hard	Gen 6.2	40	1.6	0.115	0.6	-
30 KHz	TO-247 (Long Lead)	Hard	Gen 6.2	40	1.6	0.115	0.6	-
30 KHz	TO-247	Hard	Gen 6.2	40	1.6	0.1	0.6	-
30 KHz	TO-247 (Long Lead)	Hard	Gen 6.2	40	1.6	0.1	0.6	-
30 KHz	TO-247	Hard	Gen 6.2	50	1.6	0.39	0.632	-
30 KHz	TO-247 (Long Lead)	Hard	Gen 6.2	50	1.6	0.39	0.632	-
30 KHz	TO-247	Hard	Gen 6.2	50	1.6	0.39	0.632	-
30 KHz	TO-247 (Long Lead)	Hard	Gen 6.2	60	1.65	0.625	1.275	-
30 KHz	TO-247	Hard	Gen 6.2	60	1.65	0.625	1.275	-
30 KHz	TO-247 (Long Lead)	Hard	Gen 6.2	90	1.7	2.465	2.155	-
30 KHz	TO-247	Hard	Gen 6.2	90	1.7	2.465	2.155	-
30 KHz	TO-247 (Long Lead)	Hard	Gen 6.2	160	1.7	5.75	3.43	-
30 KHz	TO-247PLUS (Super247)	Hard	Gen 6.2	160	1.7	4.47	3.43	-
30 KHz	D <sup>2</sup> PAK	Hard	Gen 6.2	15	1.55	0.2	0.09	-
30 KHz	TO-220	Hard	Gen 6.2	15	1.55	0.2	0.09	-
30 KHz	TO-247	Hard	Gen 6.2	40	1.6	0.52	0.24	-
30 KHz	TO-247 (Long Lead)	Hard	Gen 6.2	40	1.6	0.52	0.24	-
30 KHz	TO-247	Hard	Gen 6.2	50	1.7	1.3	0.5	-
30 KHz	TO-247 (Long Lead)	Hard	Gen 6.2	50	1.7	1.3	0.5	-
30 KHz	TO-247	Hard	Gen 6.2	60	1.65	1.7	1	-
30 KHz	TO-247 (Long Lead)	Hard	Gen 6.2	60	1.65	1.7	1	-
30 KHz	TO-247	Hard	Gen 6.2	60	1.65	1.7	1	-
30 KHz	TO-247 (Long Lead)	Hard	Gen 6.2	60	1.65	1.7	1	-
30 KHz	TO-247	Hard	Gen 6.2	90	1.7	2.5	2.2	-
30 KHz	TO-247 (Long Lead)	Hard	Gen 6.2	90	1.7	2.5	2.2	-
30 KHz	TO-247	Hard	Gen 6.2	90	1.7	2.5	2.2	-
30 KHz	TO-247 (Long Lead)	Hard	Gen 6.2	90	1.7	2.5	2.2	-
30 KHz	TO-247PLUS (Super247)	Hard	Gen 6.2	160	1.7	-	-	-

**Please note!**

THIS DOCUMENT IS FOR INFORMATION PURPOSES ONLY AND ANY INFORMATION GIVEN HEREIN SHALL IN NO EVENT BE REGARDED AS A WARRANTY, GUARANTEE OR DESCRIPTION OF ANY FUNCTIONALITY, CONDITIONS AND/OR QUALITY OF OUR PRODUCTS OR ANY SUITABILITY FOR A PARTICULAR PURPOSE. WITH REGARD TO THE TECHNICAL SPECIFICATIONS OF OUR PRODUCTS, WE KINDLY ASK YOU TO REFER TO THE RELEVANT PRODUCT DATA SHEETS PROVIDED BY US. OUR CUSTOMERS AND THEIR TECHNICAL DEPARTMENTS ARE REQUIRED TO EVALUATE THE SUITABILITY OF OUR PRODUCTS FOR THE INTENDED APPLICATION.

WE RESERVE THE RIGHT TO CHANGE THIS DOCUMENT AND/OR THE INFORMATION GIVEN HEREIN AT ANY TIME.

**Additional information**

For further information on technologies, our products, the application of our products, delivery terms and conditions and/or prices, please contact your nearest Infineon Technologies office ([www.infineon.com](http://www.infineon.com)).



**Warnings**

Due to technical requirements, our products may contain dangerous substances. For information on the types in question, please contact your nearest Infineon Technologies office.

Except as otherwise explicitly approved by us in a written document signed by authorized representatives of Infineon Technologies, our products may not be used in any life-endangering applications, including but not limited to medical, nuclear, military, life-critical or any other applications where a failure of the product or any consequences of the use thereof can result in personal injury.

## Looking for pricing, stock, or lifecycle information?

Click below to explore more details on WIN SOURCE:

-  [View IKW20N60T on WIN SOURCE](#)
-  [Infineon Technologies Information](#)

## Optimize Your Supply Chain with WIN SOURCE Solutions

-  Global Sourcing Solution
-  Obsolete Management
-  Cost Control Management
-  Shortage Management
-  Alternative Solution
-  Excess Inventory Management