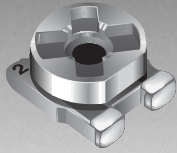




**THE DATASHEET OF**  
**3303X-3-202E**





**BOURNS®**

**Features**

- Recommended for reflow processing
- Rotor design compatible with pick and place and automatic adjustment equipment
- Supplied in 8 mm embossed tape, compatible with automatic assembly equipment
- Rear adjust version available
- 3 mm size meets EIA/EIAJ standard trimmer footprint

**3303 - 3 mm SMD Trimming Potentiometer**

**Electrical Characteristics**

Standard Resistance Range .....100 ohms to 1 megohm  
 (see standard resistance table)  
 Resistance Tolerance .....±25 % std.  
 Absolute Minimum Resistance  
 ≤ 1K Ohms .....20 ohms max.  
 >1K Ohms .....2 % max. of TR  
 Contact Resistance Variation ..5 % max.  
 Resolution .....Infinite  
 Adjustment Angle .....260 ° ±20 °

**Environmental Characteristics**

Resistance to Soldering Heat  
 .....260 °C, 10 seconds, TRS max. 5 %  
 Power Rating (50 VDC max.)  
 70 °C .....0.15 watt  
 Temperature Range  
 .....-40 °C to +125 °C  
 Temperature Coefficient  
 .....±250 ppm/°C  
 Humidity .....95 %RH  
 500 hours  
 TRS max. ....±5 %  
 Load Life  
 .....@ 70 °C rated power 500 hours  
 TRS ± 5 %  
 Rotational Cycling .....20 turns  
 TRS ±15 %

**Physical Characteristics**

Torque .....20-200 g-cm max.  
 Mechanical Angle .....Continuous  
 Marking .....Part marking code  
 Standard Packaging  
 .....2000 pcs./7 " reel  
 Adjustment Tool .....H-90

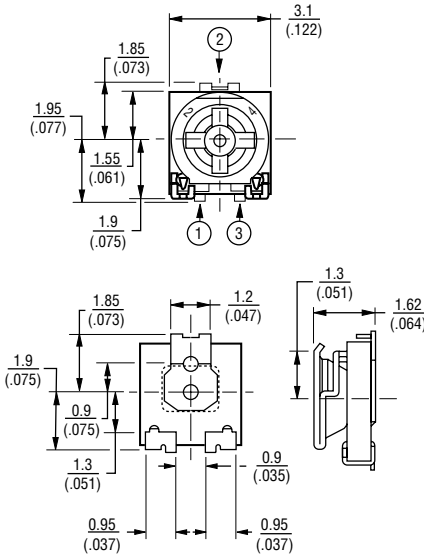
**How To Order**

**3303 X - 3 - 103 E**

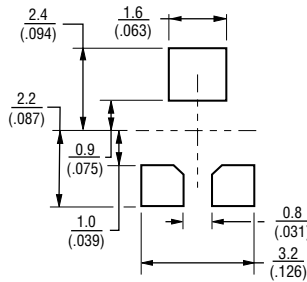
Model \_\_\_\_\_  
 Style \_\_\_\_\_  
 Orientation of Parts In Tape:  
 • Styles W, C - Terminals Toward Sprocket Holes  
 • Styles X, D - Terminals Away From Sprocket Holes (preferred)  
 Standard or Modified Product Indicator  
 -1 = Single Slot  
 -3 = \*Cross Slot Low Profile (Standard)  
 -4 = Single Slot Low Profile  
 Resistance Code \_\_\_\_\_  
 Embossed Tape Designator \_\_\_\_\_

Consult factory for other available options.  
 \*Not available in C and D styles.

**3303W, X-3**  
**3mm Open Frame**  
**for Reflow Soldering**  
**3-Terminal**  
**Low Profile**

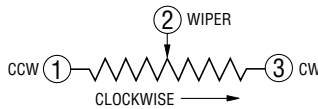


**SUGGESTED PWB LAYOUT**

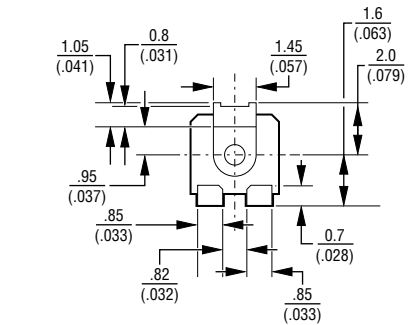
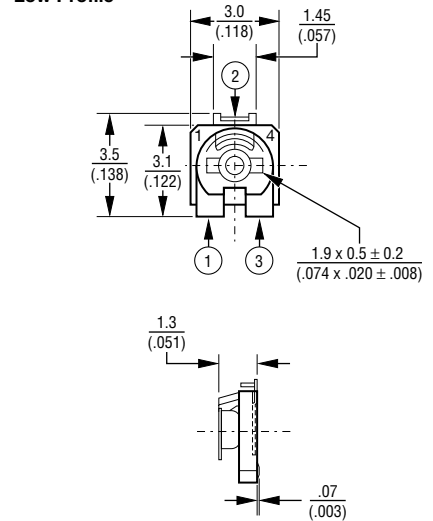


TOLERANCES: ± 0.30 (.012) EXCEPT WHERE NOTED

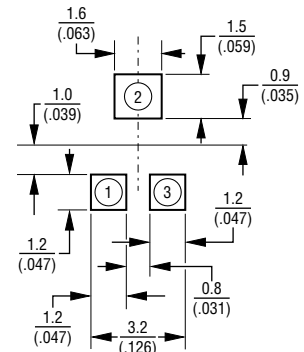
DIMENSIONS ARE:  $\frac{\text{MM}}{\text{(INCHES)}}$



**3303W, X-4**  
**3mm Open Frame**  
**for Reflow Soldering**  
**3-Terminal Single Slot**  
**Low Profile**



**SUGGESTED PWB LAYOUT**





## Looking for pricing, stock, or lifecycle information?

Click below to explore more details on WIN SOURCE:

 [View 3303X-3-202E on WIN SOURCE](#)

 [Bourns Inc. Information](#)

## Optimize Your Supply Chain with WIN SOURCE Solutions

-  Global Sourcing Solution
-  Obsolete Management
-  Cost Control Management
-  Shortage Management
-  Alternative Solution
-  Excess Inventory Management