



ANTI-VANDAL SWITCHES  
 DETECTOR SWITCHES  
 DIP SWITCHES  
 KEYLOCK SWITCHES  
 NAVIGATION SWITCHES  
 PUSHBUTTON SWITCHES  
 ROCKER SWITCHES  
 ROTARY SWITCHES  
 SLIDE SWITCHES  
 SNAP ACTION SWITCHES  
 TACTILE SWITCHES  
 TOGGLE SWITCHES  
 CAP OPTIONS



## APPLICATIONS / MARKETS



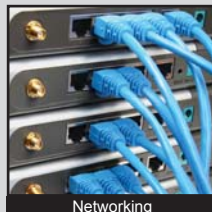
Handheld Devices



Instrumentation



Medical



Networking



Telecommunication

# RoHS

## SPECIFICATIONS

**Electrical Rating:** 0.4VA, 20V Max. (AC or DC)  
**Life Expectancy:** 40,000 Cycles  
**Contact Resistance:** 100mΩ Max.  
**Insulation Resistance:** 500MΩ Min. at 500VDC  
**Dielectric Strength:** 500VDC for 1 Minute  
**Operating Temperature:** -30°C to 85°C

**1 and 2 Pole Functions:** On-On, Maintained  
 On-Off-On, Maintained  
 Off-On, Maintained

## FEATURES & BENEFITS

- Ultraminiature in size
- Variety of functions
- PCB Mounting - vertical or right angle mounting options
- Sealed to IP67

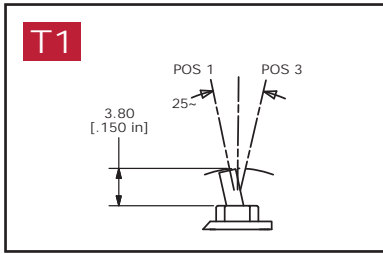
## PART NUMBER CONFIGURATOR

Series	Model No.	Actuator	Bushing	Terminal	Contact Material	Seal
<input type="checkbox"/> <input type="checkbox"/> <input type="checkbox"/> <input type="checkbox"/> <b>200U</b>	<input type="checkbox"/> <input type="checkbox"/> <input type="checkbox"/> <input type="checkbox"/> <b>SP1</b> - On-None-On <b>SP3</b> - On-Off-On <b>SP9</b> - Off-None-On <b>DP1</b> - On-None-On <b>DP3</b> - On-Off-On <b>DP9</b> - Off-None-On	<input type="checkbox"/> <input type="checkbox"/> <b>T1</b> - 3.80 High	<input type="checkbox"/> <input type="checkbox"/> <b>A1</b> - 1.60 High	<input type="checkbox"/> <input type="checkbox"/> <b>M2</b> - PC Through Hole <b>M6</b> - Right Angle PC Through Hole <b>M7</b> - Vertical Right Angle PC Through Hole	<input type="checkbox"/> <b>R</b> - Gold	<input type="checkbox"/> <b>E</b> - Epoxy

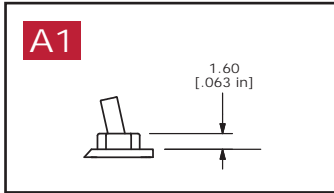
Specifications subject to change without notice



## ACTUATOR OPTIONS

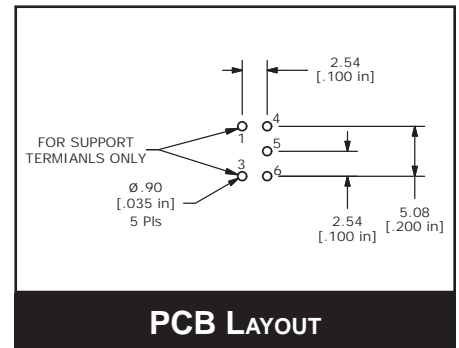
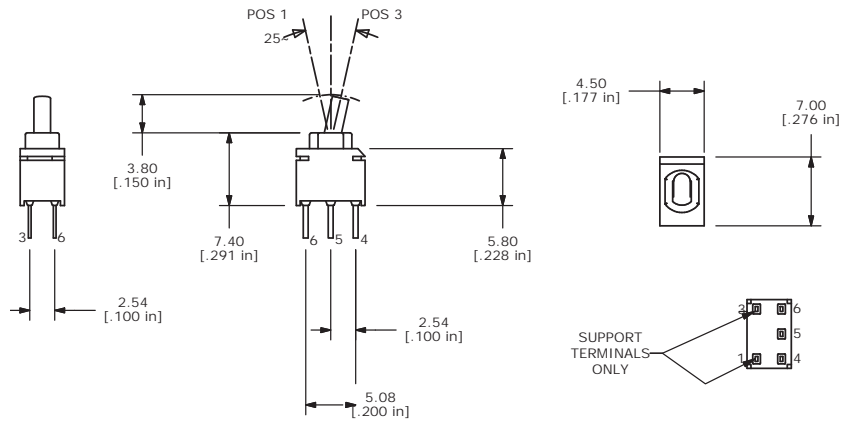


## BUSHING OPTIONS

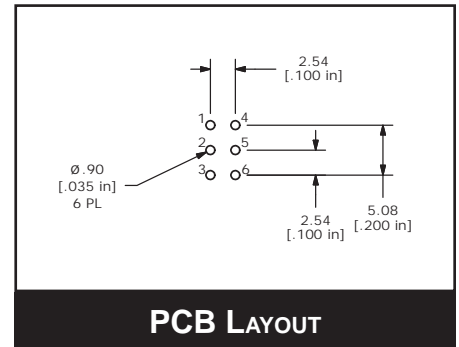
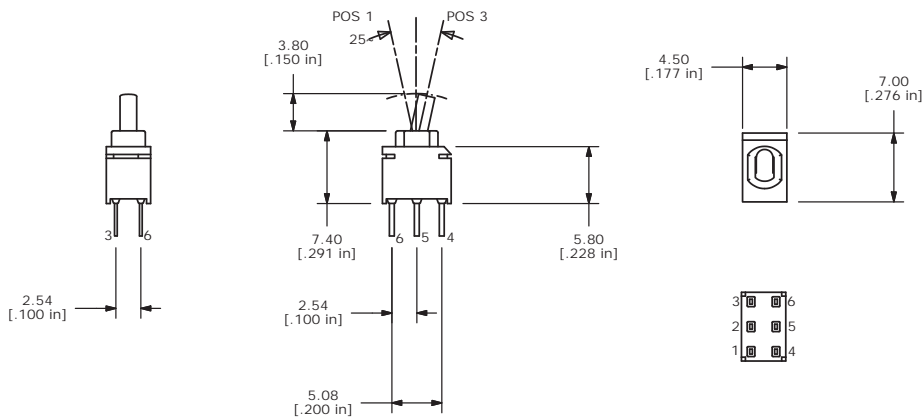


## TERMINATION OPTIONS

### M2 - SPDT



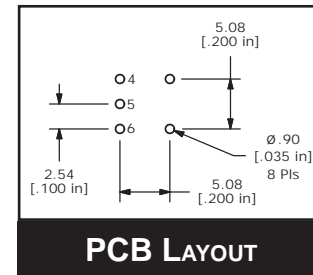
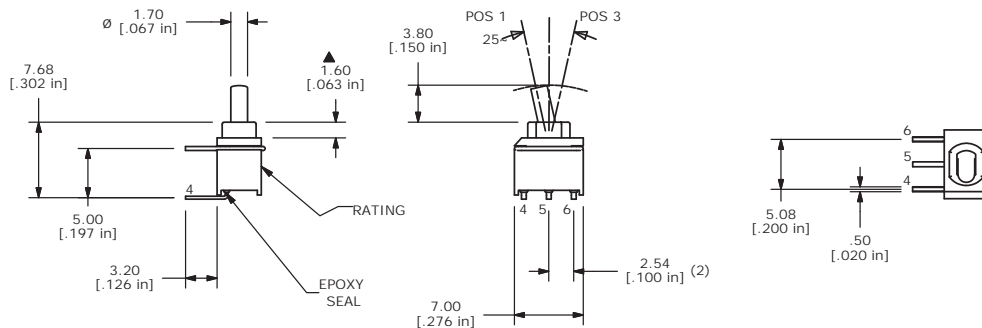
### M2 - DPDT



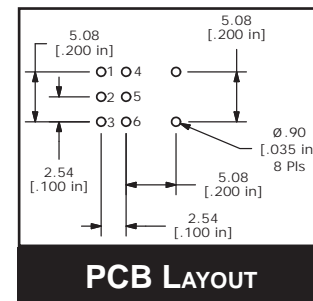
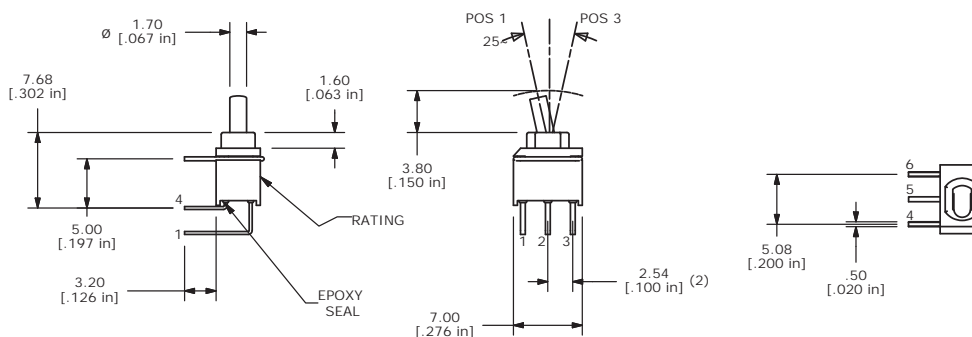
ANTI-VANDAL SWITCHES  
 DETECTOR SWITCHES  
 DIP SWITCHES  
 KEYLOCK SWITCHES  
 NAVIGATION SWITCHES  
 PUSHBUTTON SWITCHES  
 ROCKER SWITCHES  
 ROTARY SWITCHES  
 SLIDE SWITCHES  
 SNAP ACTION SWITCHES  
 TACTILE SWITCHES  
 TOGGLE SWITCHES  
 CAP OPTIONS

ANTI-VANDAL SWITCHES  
 DETECTOR SWITCHES  
 DIP SWITCHES  
 KEYLOCK SWITCHES  
 NAVIGATION SWITCHES  
 PUSHBUTTON SWITCHES  
 ROCKER SWITCHES  
 ROTARY SWITCHES  
 SLIDE SWITCHES  
 SNAP ACTION SWITCHES  
 TACTILE SWITCHES  
 TOGGLE SWITCHES  
 CAP OPTIONS

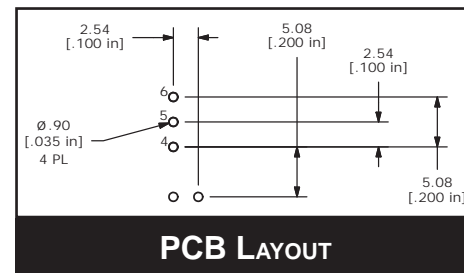
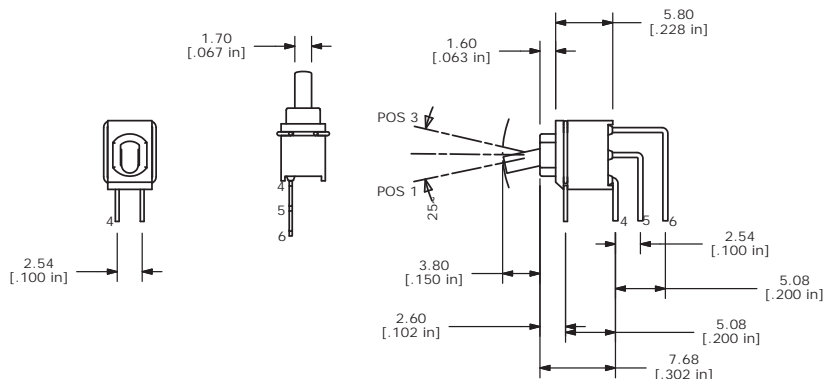
## M6 - SPDT



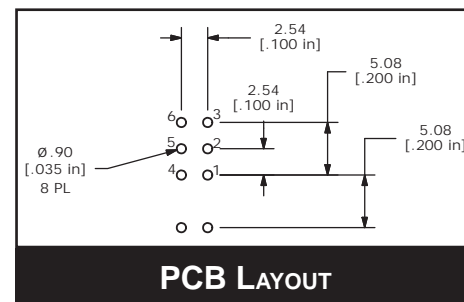
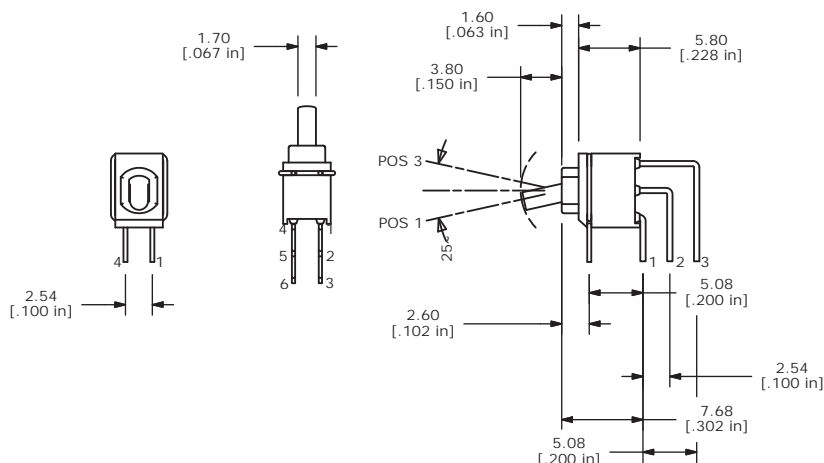
## M6 - DPDT



## M7 - SPDT



## M7 - DPDT



## Looking for pricing, stock, or lifecycle information?

Click below to explore more details on WIN SOURCE:

 [View 200USP1T1A1M2RE](#) on WIN SOURCE

 [E-SWITCH](#) Information

## Optimize Your Supply Chain with WIN SOURCE Solutions

-  Global Sourcing Solution
-  Obsolete Management
-  Cost Control Management
-  Shortage Management
-  Alternative Solution
-  Excess Inventory Management