



**THE DATASHEET OF  
CPE-4485**





## MODEL: CPE-4485 | DESCRIPTION: PIEZO BUZZER TRANSDUCER

### FEATURES

- piezo transducer with pin mount
- 100 dB SPL
- 3,000 Hz rated frequency



### SPECIFICATIONS

parameter	conditions/description	min	typ	max	units
operating voltage	continuous	sine wave		85	Vp-p
		square wave		50	Vp-p
	intermittent	sine wave		100	Vp-p
				60	Vp-p
current consumption				25	mA
rated frequency		2,200	3,000	4,000	Hz
sound pressure level	at 30 cm, 12 Vp-p, 3,000 Hz sine wave	100			dB
electrostatic capacity	at 120 Hz/1 V	164,500	235,000	305,500	pF
dimensions	∅44.8 x 13.6				mm
weight				11.5	g
material	PBT+15% Glass UL94V-0 (black)				
terminal	pin type (Au plating)				
operating temperature		-40		105	°C
storage temperature		-40		105	°C
RoHS	yes				

Notes: 1. All specifications measured at 5-35°C, humidity at 45-85%, under 86-106kPa pressure, unless otherwise noted.

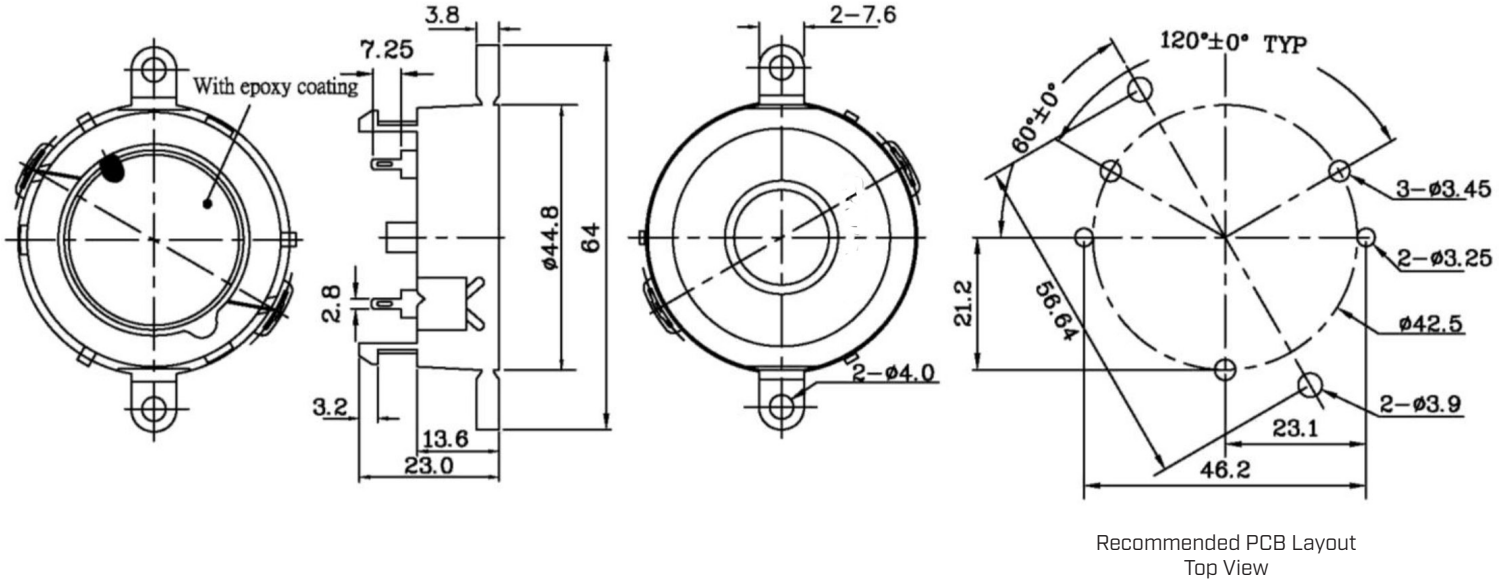
### SOLDERABILITY

parameter	conditions/description	min	typ	max	units
hand soldering <sup>2</sup>	for maximum 3 seconds	340	350	360	°C

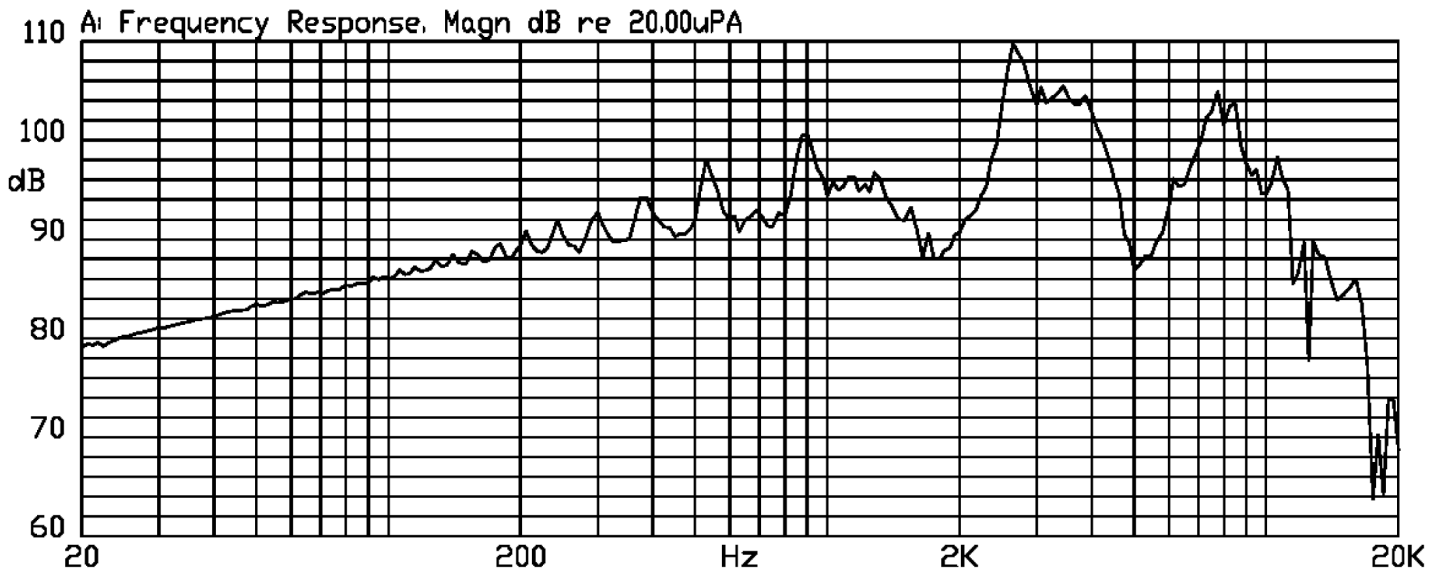
Notes: 2. Not recommended for wave soldering

## MECHANICAL DRAWING

units: mm  
tolerance: ±0.5 mm



## FREQUENCY RESPONSE CURVE



## REVISION HISTORY

rev.	description	date
1.0	initial release	06/01/2010
1.01	applied new spec template	06/25/2015
1.02	added current consumption	10/23/2018
1.03	updated datasheet	03/15/2019
1.04	brand update	03/19/2020
1.05	logo, datasheet style update	08/05/2022
1.06	CUI Devices rebranded to Same Sky	09/11/2024

The revision history provided is for informational purposes only and is believed to be accurate.



Same Sky offers a one (1) year limited warranty. Complete warranty information is listed on our website.

Same Sky reserves the right to make changes to the product at any time without notice. Information provided by Same Sky is believed to be accurate and reliable. However, no responsibility is assumed by Same Sky for its use, nor for any infringements of patents or other rights of third parties which may result from its use.

Same Sky products are not authorized or warranted for use as critical components in equipment that requires an extremely high level of reliability. A critical component is any component of a life support device or system whose failure to perform can be reasonably expected to cause the failure of the life support device or system, or to affect its safety or effectiveness.

[sameskydevices.com](https://www.sameskydevices.com)

## Looking for pricing, stock, or lifecycle information?

Click below to explore more details on WIN SOURCE:

 [View CPE-4485 on WIN SOURCE](#)

 [Same Sky Information](#)

## Optimize Your Supply Chain with WIN SOURCE Solutions

-  Global Sourcing Solution
-  Obsolete Management
-  Cost Control Management
-  Shortage Management
-  Alternative Solution
-  Excess Inventory Management