



**THE DATASHEET OF  
ARJ11D-MDSE-A-B-FMU2**



# RJ45 10/100 Base-T Jack with Magnetic Module



**ARJ11D Series**

Request Samples



Check Inventory



Various sizes

RoHS/RoHS II Compliant

MSL Level = N/A

## Features

- Available with or without LED
- Suitable CAT 5 & 6 cable and UTP
- Comply IEEE 802.3ab
- LAN Magnetic with RJ45
- Suitable for RoHS compliant reflow

## Applications

- 10, 100 Base-T LAN
- NIC, LoM and PC

## Electrical Specifications

Part Number	Turns Ratio $\pm 5\%$		EMI Fingers	LEDs L/R	Insertion Loss (dB TYP)	Return Loss (dB TYP @100 $\Omega$ $\pm$ 15 $\Omega$ )			
	TX	RX				1- 65 MHz	1- 10 MHz	10-30 MHz	30-60 MHz
ARJ11D-MCSA-LU2	1CT:1	1CT:1CT	Yes	NONE	-1	-20	-16	-12	-10
ARJ11D-MASB-B-A-□MU2	1CT:1CT	1CT:1CT	Yes	Y/G	-1	-20	-16	-12	-10
ARJ11D-MCSC-LU2	1CT:1	1CT:1CT	Yes	NONE	-1	-20	-16	-12	-10
ARJ11D-MDSD-A-B-□LT2	1CT:1	1CT:1	No	G/Y	-1	-20	-16	-12	-10
ARJ11D-MCSD-LT2	1CT:1	1CT:1	Yes	NONE	-1	-20	-16	-12	-10
ARJ11D-MDSE-A-B-□MU2	1CT:1CT	1CT:1CT	No	G/Y	-1	-20	-16	-12	-10
ARJ11D-MASE-A-B-□MU2	1CT:1CT	1CT:1CT	Yes	G/Y	-1	-20	-16	-12	-10
ARJ11D-MDSG-B-A-□MU2	1CT:1CT	1CT:1CT	No	Y/G	-1	-20	-16	-12	-10
ARJ11D-MASG-B-A-□MU2	1CT:1CT	1CT:1CT	Yes	Y/G	-1	-20	-16	-12	-10
ARJ11D-MASG-A-A-□MU2	1CT:1CT	1CT:1CT	Yes	G/G	-1	-20	-16	-12	-10
ARJ11D-MESH-LU2	1CT:1	1CT:1CT	No	NONE	-1	-20	-16	-12	-10
ARJ11D-MDSH-A-B-□LU2	1CT:1	1CT:1CT	No	G/Y	-1	-20	-16	-12	-10
ARJ11D-MASH-B-A-□LU2	1CT:1	1CT:1CT	Yes	Y/G	-1	-20	-16	-12	-10
ARJ11D-MBSJ-A-DA-HLT2	1CT:1	1CT:1	Yes	G/O_G	-1	-20	-16	-12	-10
ARJ11D-MBSK-A-DA-HMU2	1CT:1CT	1CT:1CT	Yes	G/O_G	-1	-20	-16	-12	-10
ARJ11D-MBSK-A-B-IMU2	1CT:1CT	1CT:1CT	Yes	G/Y	-1	-20	-16	-12	-10
ARJ11D-MBSL-A-DA-HLU2	1CT:1	1CT:1CT	Yes	G/O_G	-1	-20	-16	-12	-10



12117 Bee Caves Rd, Bldg-3, Suite 200

Bee Cave, TX 78738

Phone: 512-371-6159 Fax: 512-351-8858

For terms and conditions of sales, please visit:

www.abracon.com


REVISION E : 9/26/2025

ABRACON IS  
ISO9001-2015  
CERTIFIED

# RJ45 10/100 Base-T Jack with Magnetic Module



## ARJ11D Series

Request Samples 

Check Inventory 

Various sizes  
**RoHS/RoHS II Compliant**  
 MSL Level = N/A

Part Number	Crosstalk (dB TYP)			Common Mode Rejection (dB TYP)		Hipot (Vrms) @60Hz
	1-30 MHz	30-60 MHz	60-100 MHz	1-50 MHz	50-150 MHz	
ARJ11D-MCSA-LU2	-40	-35	-30	-30	-20	1500
ARJ11D-MASB-B-A-□MU2	-40	-35	-30	-30	-20	1500
ARJ11D-MCSC-LU2	-40	-35	-30	-30	-20	1500
ARJ11D-MDSD-A-B-□LT2	-40	-35	-30	-30	-20	1500
ARJ11D-MCSD-LT2	-40	-35	-30	-30	-20	1500
ARJ11D-MDSE-A-B-□MU2	-40	-35	-30	-30	-20	1500
ARJ11D-MASE-A-B-□MU2	-40	-35	-30	-30	-20	1500
ARJ11D-MDSG-B-A-□MU2	-40	-35	-30	-30	-20	1500
ARJ11D-MASG-B-A-□MU2	-40	-35	-30	-30	-20	1500
ARJ11D-MASG-A-A-□MU2	-40	-35	-30	-30	-20	1500
ARJ11D-MESH-LU2	-40	-35	-30	-30	-20	1500
ARJ11D-MDSH-A-B-□LU2	-40	-35	-30	-30	-20	1500
ARJ11D-MASH-B-A-□LU2	-40	-35	-30	-30	-20	1500
ARJ11D-MBSJ-A-DA-HLT2	-40	-35	-30	-30	-20	1500
ARJ11D-MBSK-A-DA-HMU2	-40	-35	-30	-30	-20	1500
ARJ11D-MBSK-A-B-IMU2	-40	-35	-30	-30	-20	1500
ARJ11D-MBSL-A-DA-HLU2	-40	-35	-30	-30	-20	1500

: LED Polarity Option

ARJ11D-MA: E, F or G

ARJ11D-MD: E, F or G

**Contact Abracon for more custom configurations. See options to build a custom configuration.**



12117 Bee Caves Rd, Bldg-3, Suite 200  
 Bee Cave, TX 78738  
 Phone: 512-371-6159 Fax: 512-351-8858  
 For terms and conditions of sales, please visit:  
[www.abracon.com](http://www.abracon.com)

**REVISION E : 9/26/2025**

ABRACON IS  
 ISO9001-2015  
 CERTIFIED

# RJ45 10/100 Base-T Jack with Magnetic Module



## ARJ11D Series

Request Samples



Check Inventory



Various sizes

RoHS/RoHS II Compliant

MSL Level = N/A

### Environmental Specifications

- Storage Temp: -40°C TO +85°C.
- Operating Temp: 0°C TO +70°C.
- ARJ11D Series is **RoHS Compliant**. Operating life: 750 Cycles min.

### Part Identification

ARJ11D -   -  -  -

Mechanical	Schematic	Left LED color (e.g. B for Yellow, AB for Green - Yellow)	Right LED color (e.g. B for Yellow, AB for Green - Yellow)	LED polarity	Turns Ratio (Tx)	Turns Ratio (Rx)	Gold plating
MA ~ ME (Please see mechanical section)	SA ~ SR (Please see schematic section)	Blank: No LED	Blank: No LED	Blank: No LED	K: 1CT:1.41	S: 1CT:1.41	1: 3u "
		A: Green	A: Green	E ~ I (Please see LED polarity section)	L: 1CT:1	T: 1CT:1	2: 6u "
		B: Yellow	B: Yellow		M: 1CT:1CT	U: 1CT:1CT	3: 15u "
		C: Amber	C: Amber		N: 1.414:1CT	V: 1.414:1CT	4: 30u "
		D: Orange	D: Orange		O: 1CT:1.41CT	W: 1CT:1.41CT	5: 50u "
					P: 1:2CT	X: 1:2CT	
					Q: 1:1.414CT	Y: 1:1.414CT	
					R: 1CT:2.5	Z: 1CT:2.5	

# RJ45 10/100 Base-T Jack with Magnetic Module



ARJ11D Series

Request Samples



Check Inventory



Various sizes

RoHS/RoHS II Compliant

MSL Level = N/A

## Materials

### ARJ11D-MA/MC/MD/ME only:

- Housing Material:**  
MATERIAL: NYLON GF (Fr50) UL94V-0  
STANDARD COLOR: BLACK
- Insert Material:**  
MATERIAL: Phos-Bronze C5210 EH--0.35mm Thickness  
Insert -PBT GF UL94V-0  
PLATING (1) NICKEL  
PLATING (2) 100%Sn  
PLATING (3) GOLD (3u " ~50u " ) (see options)
- Plate Material:**  
PBT GF UL 94V-0
- Contact pin Material:**  
MATERIAL: Phos-Bronze C5191--0.35mm Thickness  
1.PLATING (1) NICKEL  
2.PLATING (2) 100%Sn
- Shielding Material:**  
BRASS C2680 PLATING NICKEL

### ARJ11D-MB only:

- Housing Material:**  
MATERIAL: NYLON GF (Fr50) UL94V-0  
STANDARD COLOR: BLACK
- Insert Material:**  
MATERIAL: Phos-Bronze C5210 EH--0.35mm Thickness  
Insert -PBT GF UL94V-0  
PLATING (1) NICKEL  
PLATING (2) 100%Sn  
PLATING (3) GOLD (3u " ~50u " ) (see options)
- Contact pin Material:**  
MATERIAL: Phos-Bronze C5191--0.35mm Thickness  
1.PLATING (1) NICKEL  
2.PLATING (2) 100%Sn
- Shielding Material:**  
BRASS C2680 PLATING NICKEL

**Note: No material substitutions allowed without prior approval by customers in writing**



12117 Bee Caves Rd, Bldg-3, Suite 200  
Bee Cave, TX 78738  
Phone: 512-371-6159 Fax: 512-351-8858  
For terms and conditions of sales, please visit:  
[www.abracon.com](http://www.abracon.com)

REVISION E : 9/26/2025

ABRACON IS  
ISO9001-2015  
CERTIFIED

# RJ45 10/100 Base-T Jack with Magnetic Module



ARJ11D Series

Request Samples



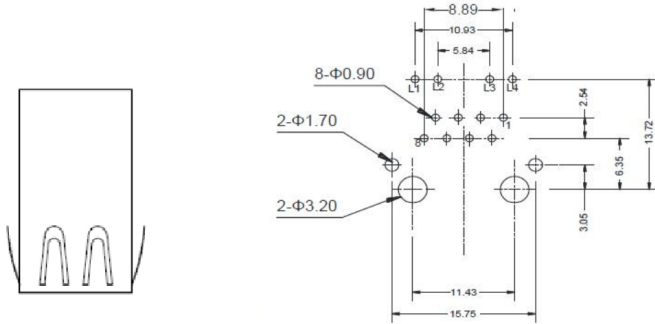
Check Inventory



Various sizes  
RoHS/RoHS II Compliant  
MSL Level = N/A

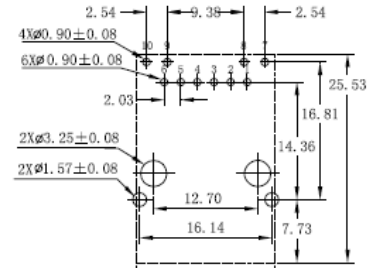
## Mechanical Dimensions

MA

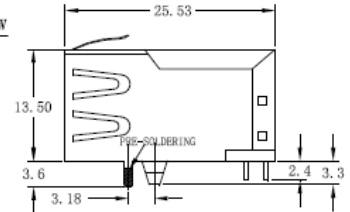
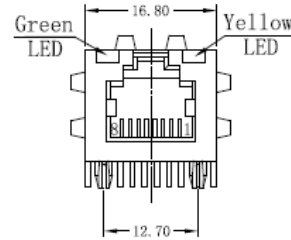
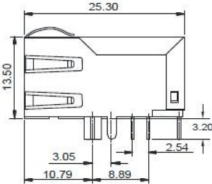
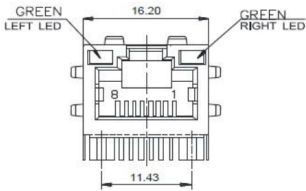


Suggested PCB Layout (Component Side)

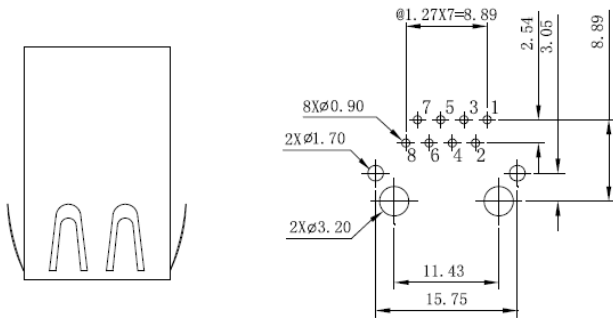
MB



PC Board Layout  
Component Side Shown

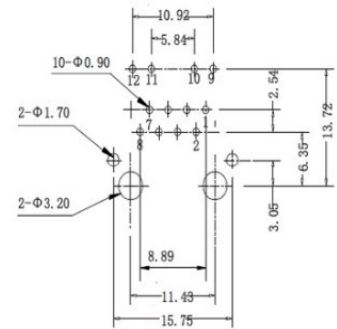


MC

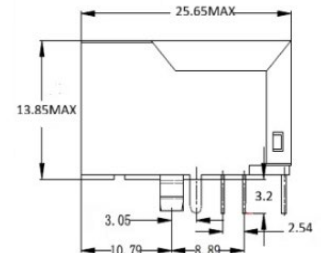
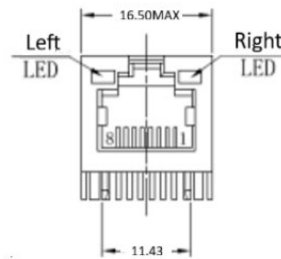
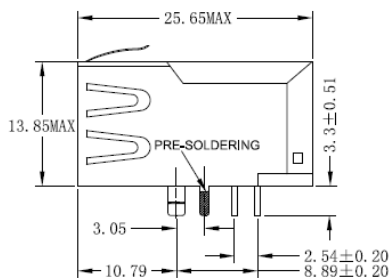
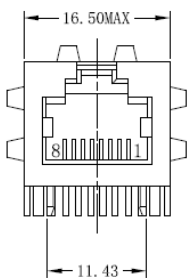


PC Board Layout  
Component Side Shown

MD



SUGGESTED PCB LAYOUT



12117 Bee Caves Rd, Bldg-3, Suite 200  
Bee Cave, TX 78738  
Phone: 512-371-6159 Fax: 512-351-8858  
For terms and conditions of sales, please visit:  
[www.abracon.com](http://www.abracon.com)

REVISION E : 9/26/2025

ABRACON IS  
ISO9001-2015  
CERTIFIED

# RJ45 10/100 Base-T Jack with Magnetic Module



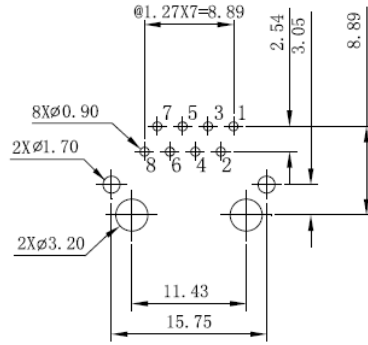
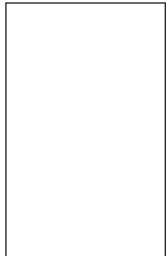
ARJ11D Series

Request Samples

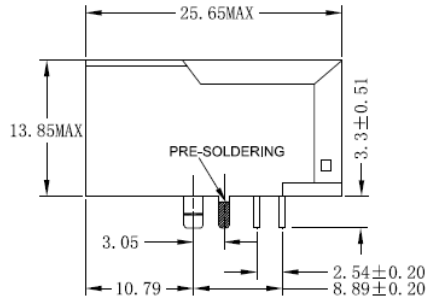
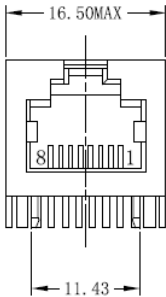
Check Inventory

Various sizes  
RoHS/RoHS II Compliant  
MSL Level = N/A

ME



PC Board Layout  
Component Side Shown



**Dimension: mm. All tolerances are ±0.25 unless otherwise specified**



12117 Bee Caves Rd, Bldg-3, Suite 200  
Bee Cave, TX 78738  
Phone: 512-371-6159 Fax: 512-351-8858  
For terms and conditions of sales, please visit:  
[www.abracon.com](http://www.abracon.com)

REVISION E : 9/26/2025

ABRACON IS  
ISO9001-2015  
CERTIFIED

# RJ45 10/100 Base-T Jack with Magnetic Module



ARJ11D Series

Request Samples



Check Inventory

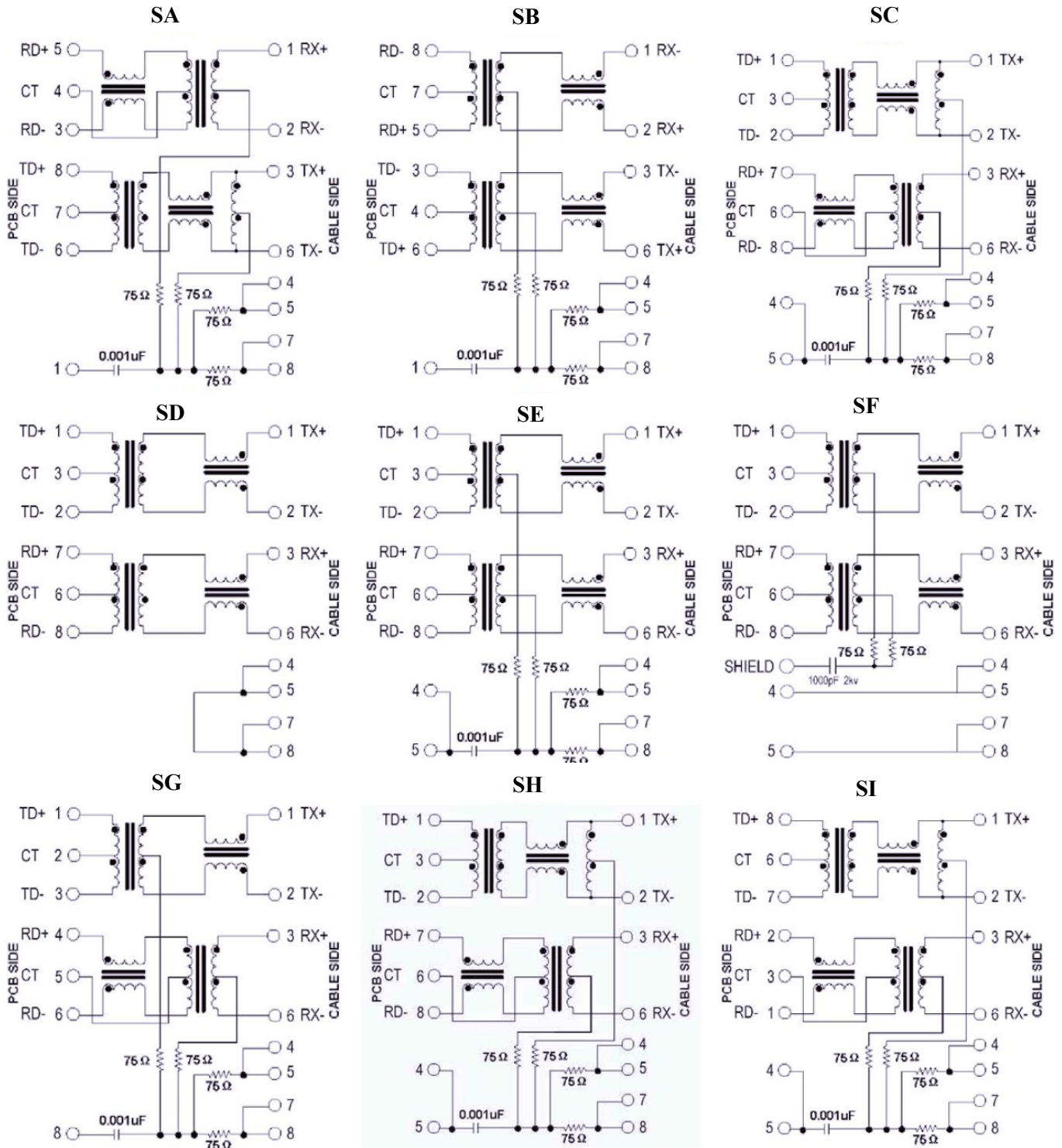


Various sizes

RoHS/RoHS II Compliant

MSL Level = N/A

## Schematics



12117 Bee Caves Rd, Bldg-3, Suite 200  
 Bee Cave, TX 78738  
 Phone: 512-371-6159 Fax: 512-351-8858  
 For terms and conditions of sales, please visit:  
[www.abracon.com](http://www.abracon.com)

REVISION E : 9/26/2025

ABRACON IS  
 ISO9001-2015  
 CERTIFIED

# RJ45 10/100 Base-T Jack with Magnetic Module



ARJ11D Series

Request Samples



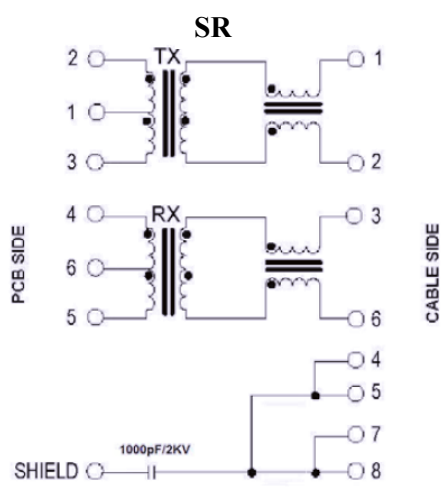
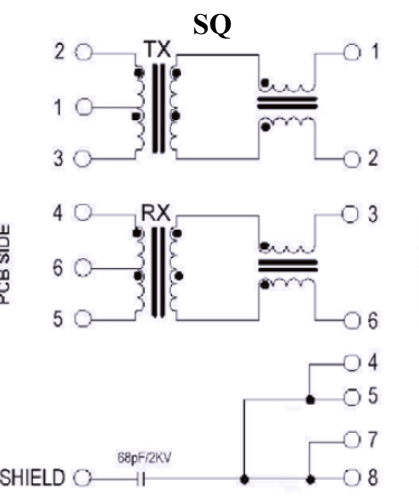
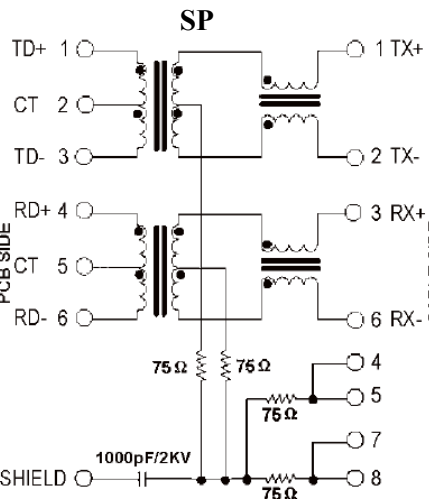
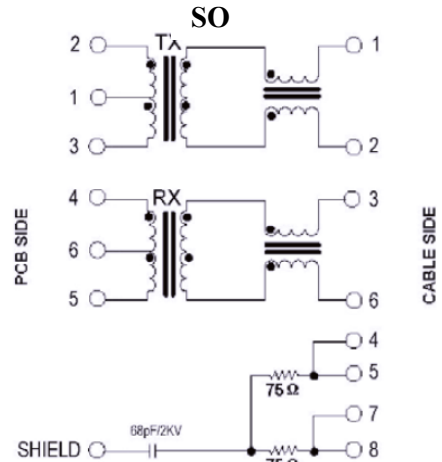
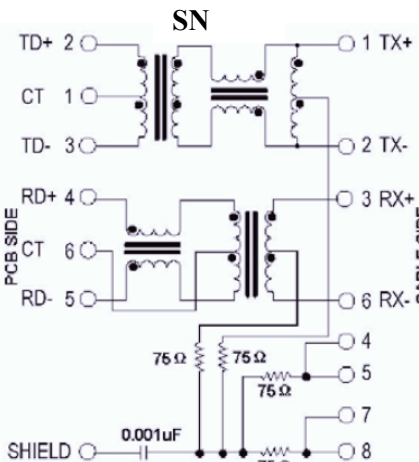
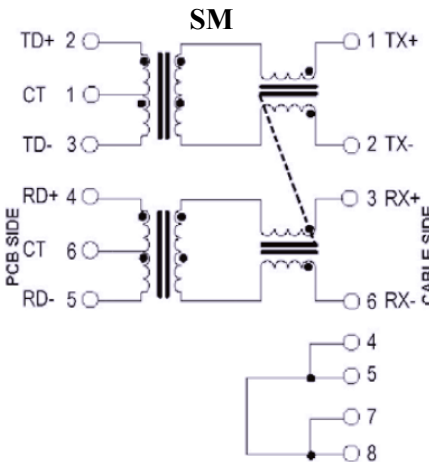
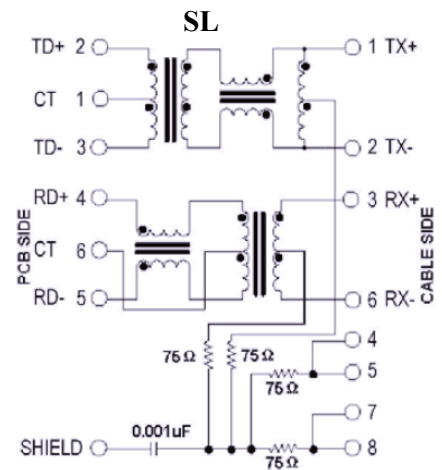
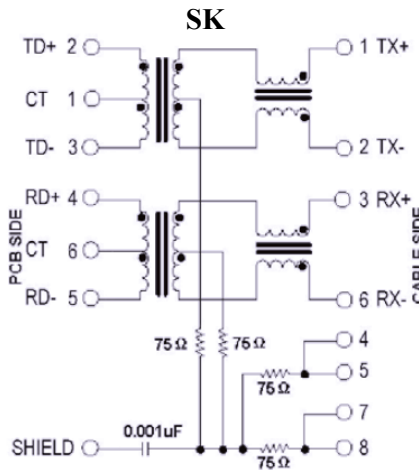
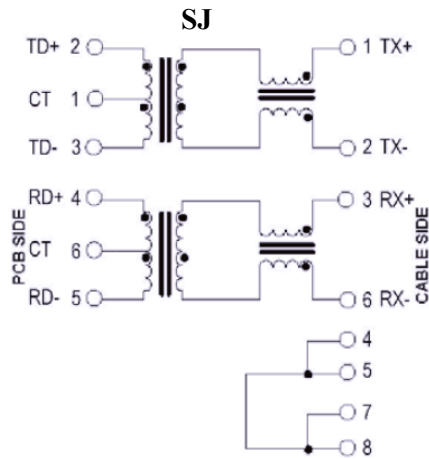
Check Inventory



Various sizes

RoHS/RoHS II Compliant

MSL Level = N/A



12117 Bee Caves Rd, Bldg-3, Suite 200  
 Bee Cave, TX 78738  
 Phone: 512-371-6159 Fax: 512-351-8858  
 For terms and conditions of sales, please visit:  
[www.abracon.com](http://www.abracon.com)

REVISION E : 9/26/2025

ABRACON IS  
 ISO9001-2015  
 CERTIFIED

# RJ45 10/100 Base-T Jack with Magnetic Module



ARJ11D Series

Request Samples



Check Inventory



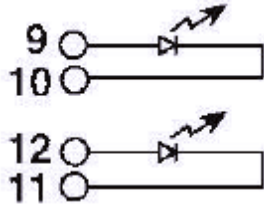
Various sizes

RoHS/RoHS II Compliant

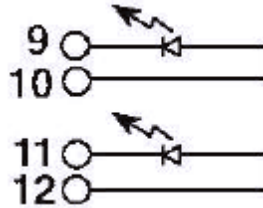
MSL Level = N/A

## LED polarity

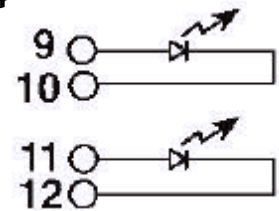
E



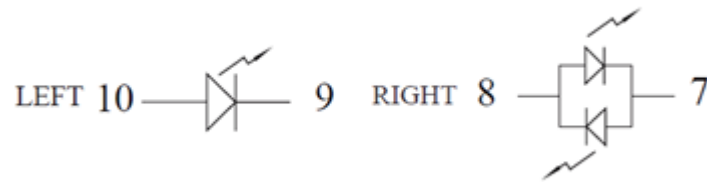
F



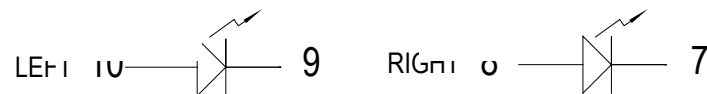
G



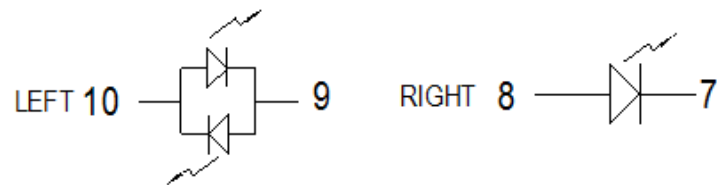
H



I



J



# RJ45 10/100 Base-T Jack with Magnetic Module



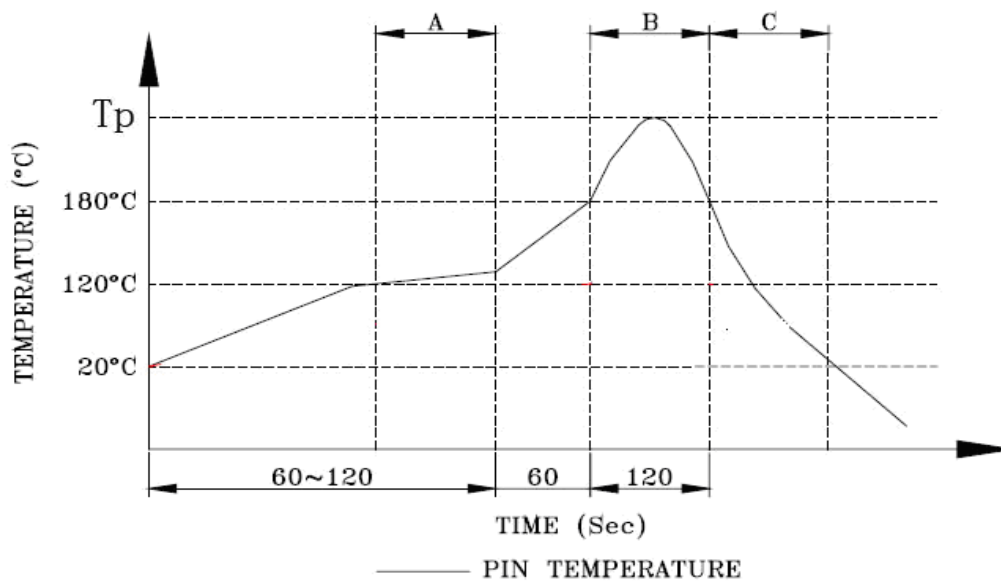
ARJ11D Series

Request Samples

Check Inventory

Various sizes  
**RoHS/RoHS II Compliant**  
 MSL Level = N/A

## Reflow Profile



Zone	Description	Temperature	Times
1	Preheat	150°C ~ 180°C	60 ~ 120 sec.
2	Peak heat	$T_p$ 250°C±10°C	5 sec. MAX

Ref.

Solder paste: Sn/3.0Ag/0.5Cu

Ramp up rate: 3°C/s Max.

Ramp down rate: 6°C/s Max.

# RJ45 10/100 Base-T Jack with Magnetic Module



ARJ11D Series

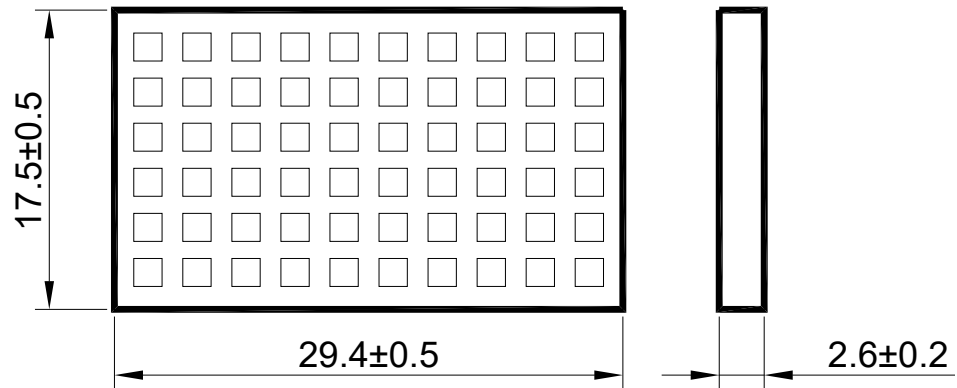
Request Samples

Check Inventory

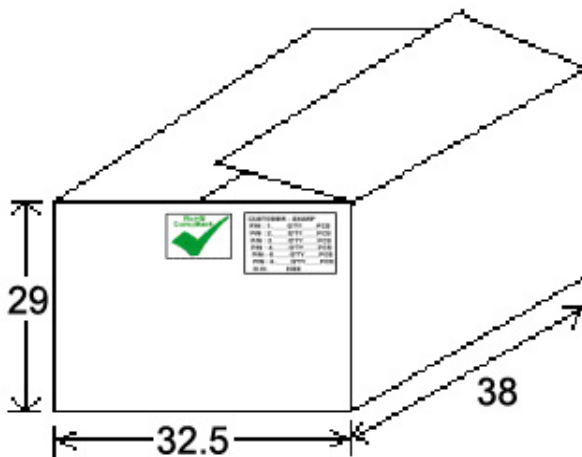
Various sizes  
RoHS/RoHS II Compliant  
MSL Level = N/A

## Packing

2.0 Packing: 60pcs/tray  
Packaging material: PET



Outer carton unit : 1080 pcs/ 18 Trays/box



Dimensions: cm



12117 Bee Caves Rd, Bldg-3, Suite 200  
Bee Cave, TX 78738  
Phone: 512-371-6159 Fax: 512-351-8858  
For terms and conditions of sales, please visit:  
[www.abracon.com](http://www.abracon.com)

REVISION E : 9/26/2025

ABRACON IS  
ISO9001-2015  
CERTIFIED

## Looking for pricing, stock, or lifecycle information?

Click below to explore more details on WIN SOURCE:

- ⊖ [View ARJ11D-MDSE-A-B-FMU2 on WIN SOURCE](#)
- ⊖ [Abracon LLC Information](#)

## Optimize Your Supply Chain with WIN SOURCE Solutions

- ✓ Global Sourcing Solution
- ✓ Obsolete Management
- ✓ Cost Control Management
- ✓ Shortage Management
- ✓ Alternative Solution
- ✓ Excess Inventory Management