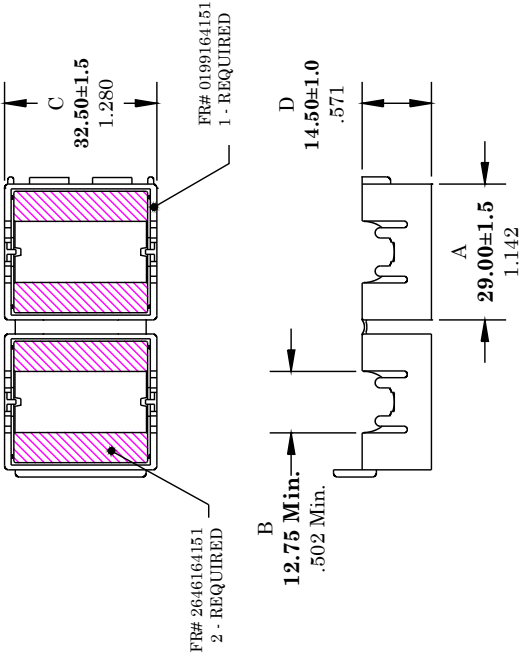




\*\* Not all features are shown in this drawing. For more detailed information, please contact your Fair-Rite representative.

UNCONTROLLED ~CATALOG~ DRAWING

SIZE  
B



ELECTRICAL SPECIFICATIONS

IMPEDANCE
100
159
N=1, #22 AWG

DIMENSIONS  
**BOLD NUMBERS ARE IN MILLIMETERS**  
LIGHT NUMBERS ARE IN INCHES

FAIR-RITE	
TITLE	ROUND CORE
DRAWN BY	DATE
D. FOOTE	7/13/2020
CHKD BY	SIZE
	B
APPRVD BY	SCALE

NOTES:

- 1 - CASE MATERIAL: POLYPROPYLENE-V0
- 2 - CORE MATERIAL: FAIR-RITE PRODUCTS CORP. FR# 46.
- 3 - IMPEDANCE MEASURED ON AN E4991A USING A 16092A TEST FIXTURE.

## Looking for pricing, stock, or lifecycle information?

Click below to explore more details on WIN SOURCE:

 [View 0446164151 on WIN SOURCE](#)

 [FAIR-RITE PRODUCTS](#) Information

## Optimize Your Supply Chain with WIN SOURCE Solutions

-  Global Sourcing Solution
-  Obsolete Management
-  Cost Control Management
-  Shortage Management
-  Alternative Solution
-  Excess Inventory Management