

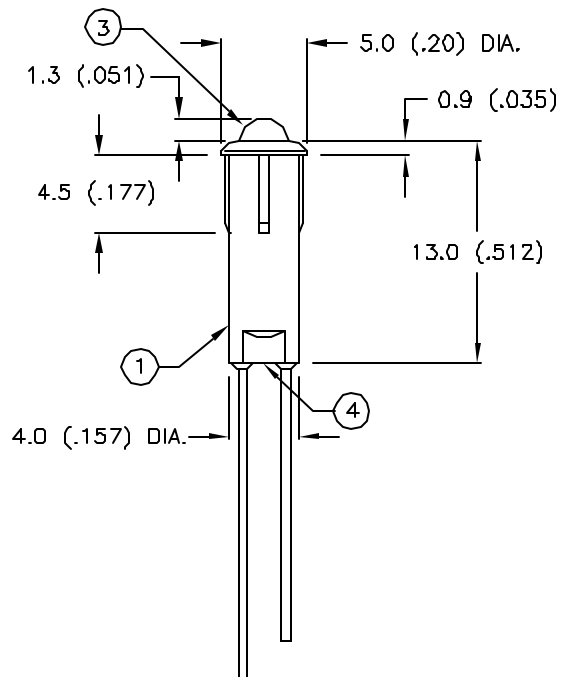


THE DATASHEET OF SSI-LXH312ID



DATE	REVISIONS	REV
7-21-93	CHG'D. NOTE 4 TO SPECIFY UV ADHESIVE./	A
5-12-95	UPDATED SPECS./	B
6-5-96	E.C.N.#10178./	C

DRAWING NUMBER SSI-LXH312ID	REV C
--------------------------------	----------



ELECTRO-OPTICAL CHARACTERISTICS $T_A = 25^\circ\text{C}$ $I_f = 20\text{mA}$

PARAMETER	MIN	TYP	MAX	UNITS	TEST COND
PEAK WAVELENGTH		635 (RED)		nm	
FORWARD VOLTAGE		2.0	2.8	V_f	
REVERSE VOLTAGE	5.0			V_r	$I_r = 100\mu\text{A}$
AXIAL INTENSITY		10		mcd	$I_f = 20\text{mA}$
VIEWING ANGLE		80		$2 \times \text{theta}$	
EMITTED COLOR	RED				
EPOXY LENS FINISH	RED DIFFUSED				

LIMITS OF SAFE OPERATION AT 25°C

PARAMETER	MAX	UNITS
PEAK FORWARD CURRENT*	150	mA
STEADY CURRENT	30	mA
POWER DISSIPATION	105	mW
DERATE FROM 25°C	-1.6	$\text{mW}/^\circ\text{C}$
OPERATING, STORAGE TEMP	-40 TO +85	$^\circ\text{C}$

* $t < 10\mu\text{s}$

NOTES:

- SSH-LXH3121 HOLDER. MATERIAL: BLACK NYLON 94V-0.
- MOUNTING HOLE: .170 - .174" DIA.
- SSL-LX3044ID LED.
- UV ADHESIVE FOR RETENTION OF LED.

LUMEX
OPTO COMPONENTS INC.

292 E. HELLEN ROAD
PALATINE, ILLINOIS 60067
(708) 359-2790

CONFIDENTIAL INFORMATION
THE INFORMATION CONTAINED IN THIS DOCUMENT IS THE PROPERTY OF LUMEX OPTO/COMPONENTS, INC. EXCEPT AS SPECIFICALLY AUTHORIZED IN WRITING BY LUMEX OPTO/COMPONENTS, INC., THE HOLDER OF THIS DOCUMENT SHALL KEEP ALL INFORMATION CONTAINED HEREIN CONFIDENTIAL AND SHALL PROTECT SAME IN WHOLE OR IN PART FROM DISCLOSURE AND DISSEMINATION TO ALL THIRD PARTIES.

DATE: 4-26-93	DWN:	CHK'D:	APPD:
SCALE: N/A			

T-3 (T-1) LED, PANEL INDICATOR, RED DIFFUSED

PAGE 1 OF 1

DRAWING NUMBER
SSI-LXH312ID

REV
C

Looking for pricing, stock, or lifecycle information?

Click below to explore more details on WIN SOURCE:

- ⊖ [View SSI-LXH312ID on WIN SOURCE](#)
- ⊖ [Lumex Opto/Components Inc. Information](#)

Optimize Your Supply Chain with WIN SOURCE Solutions

- ✓ Global Sourcing Solution
- ✓ Obsolete Management
- ✓ Cost Control Management
- ✓ Shortage Management
- ✓ Alternative Solution
- ✓ Excess Inventory Management