



**THE DATASHEET OF
RVW4GD1100**



RVW SERIES ROCKER SWITCH

ANTI-VANDAL SWITCHES
DETECTOR SWITCHES
DIP SWITCHES
KEYLOCK SWITCHES
NAVIGATION SWITCHES
PUSHBUTTON SWITCHES
ROCKER SWITCHES
ROTARY SWITCHES
SLIDE SWITCHES
SNAP ACTION SWITCHES
TACTILE SWITCHES
TOGGLE SWITCHES
CAP OPTIONS



APPLICATIONS / MARKETS



Floor Care Appliances



Medical Equipment



Electrical Houseware



Commercial Appliances



Home Appliances



Industrial Controls

RoHS

SPECIFICATIONS

Rating:

Maintained Switches:

- 20A 125VAC [cURus UL508]
- 15A 277VAC [cURus UL508]
- 2HP 110/250VAC [cURus UL508]

Momentary Switches:

- 20A 125VAC [cURus UL508]
- 15A 277VAC [cURus UL508]
- 1.5HP 110/250VAC [cURus UL508]

Operating Temperature: 0°C to 55°C

Electrical Life: 6,000 cycles

Contact Resistance: 50 mΩ Max.

Insulation Resistance: 800 MΩ Min. at 500VDC

Dielectric Strength: 1,500VAC for 1 minute

Ingress Protection: IP54 Standard

FEATURES & BENEFITS

- Up to 20A, 125VAC 2HP rating
- 37.5mm x 21mm panel cutout
- IP54 rated
- Agency Approvals: cURus
- SP or DP Options
- 2 or 3 position Circuit Functions

PART NUMBER CONFIGURATOR

Series	Terminal	Function	Rating	Body Color	Actuator Color	Marking Color	Marking Type
<input type="checkbox"/> <input type="checkbox"/> <input type="checkbox"/> <input type="checkbox"/> RVW - Matte Finish RVWG - Glossy Finish	<input type="checkbox"/> 1 - 4.8mm Tabs 4 - 6.3mm Tabs 5 - Solder 6 - Screw	<input type="checkbox"/> 1 - 1 Pole Off-On 2 - 2 Pole Off-On 3 - 1 Pole On-On 4 - 1 Pole Off-(On) 5 - 1 Pole On-Off-On 6 - 2 Pole On-Off-On A - 1 Pole On-(Off) B - 1 Pole On-(On) C - 1 Pole On-Off-(On) D - 1 Pole (On)- Off- (On) E - 2 Pole Off-(On) F - 2 Pole On-(Off) G - 2 Pole On-On H - 2 Pole On-(On) J - 2 Pole On-Off-(On) K - 2 Pole (On)-Off-(On)	<input type="checkbox"/> D - 20A 125VAC	<input type="checkbox"/> 1 - Black 2 - White 3 - Almond 4 - Grey 9 - Red	<input type="checkbox"/> 1 - Black 2 - White 3 - Almond 4 - Grey 5 - Orange 7 - Blue 8 - Green 9 - Red	<input type="checkbox"/> 0 - None 1 - Black 2 - White 8 - Red	<input type="checkbox"/> 0 - None 1 - I/O Vertical 2 - On-Off-On Vertical 3 - ON-OFF Vertical 4 - On-Off Horizontal 9 - I/O/II Horizontal R - I/O Horizontal S - I/O/II Vertical

NOTE:

Custom Colors and Markings Available Upon Request.

Specifications subject to change without notice 4/1/2024



E-SWITCH®

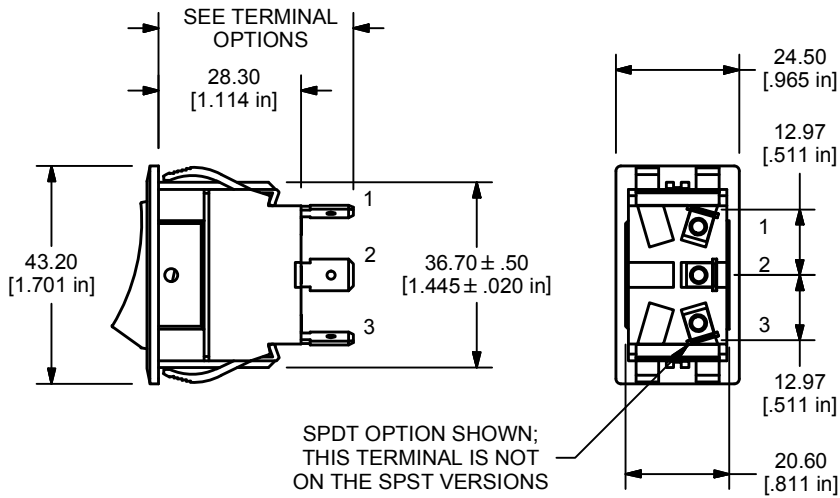
www.e-switch.com

800.867.2717

1

RVW SERIES ROCKER SWITCH

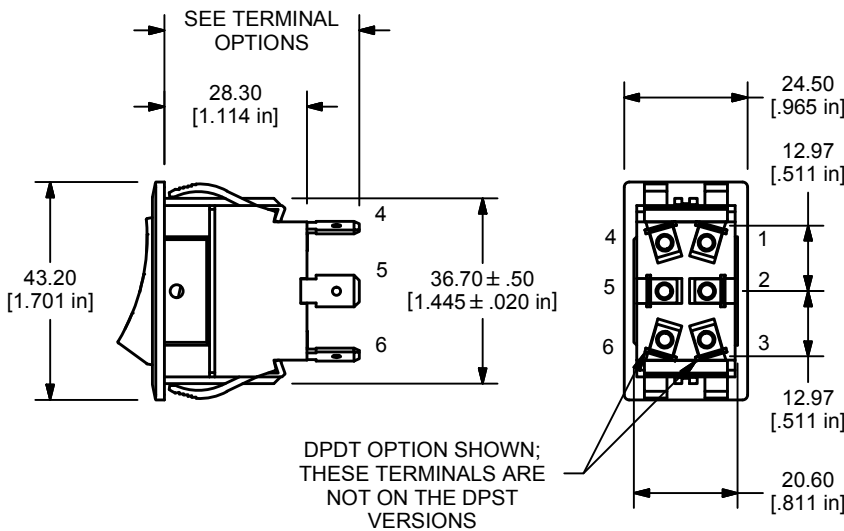
SWITCH FUNCTIONS



FUNCTION	POS. 1	POS. 2	POS. 3
1 - SPST	OFF	NONE	ON
3 - SPDT	ON	NONE	ON
4 - SPST	OFF	NONE	(ON)
5 - SPDT	ON	OFF	ON
A - SPST	ON	NONE	(OFF)
B - SPDT	ON	NONE	(ON)
C - SPDT	ON	OFF	(ON)
D - SPDT	(ON)	OFF	(ON)
TERMINAL CLOSURE	2-3 [SPDT ONLY]	OPEN	2-1

() DENOTES = MOMENTARY

SINGLE POLE - SP



FUNCTION	POS. 1	POS. 2	POS. 3
2 - DPST	OFF	NONE	ON
6 - DPDT	ON	OFF	ON
E - DPST	OFF	NONE	(ON)
F - DPST	ON	NONE	(OFF)
G - DPDT	ON	NONE	ON
H - DPDT	ON	NONE	(ON)
J - DPDT	ON	OFF	(ON)
K - DPDT	(ON)	OFF	(ON)
TERMINAL CLOSURE	2-3, 5-6 [DPDT ONLY]	OPEN	2-1, 5-4

() DENOTES = MOMENTARY

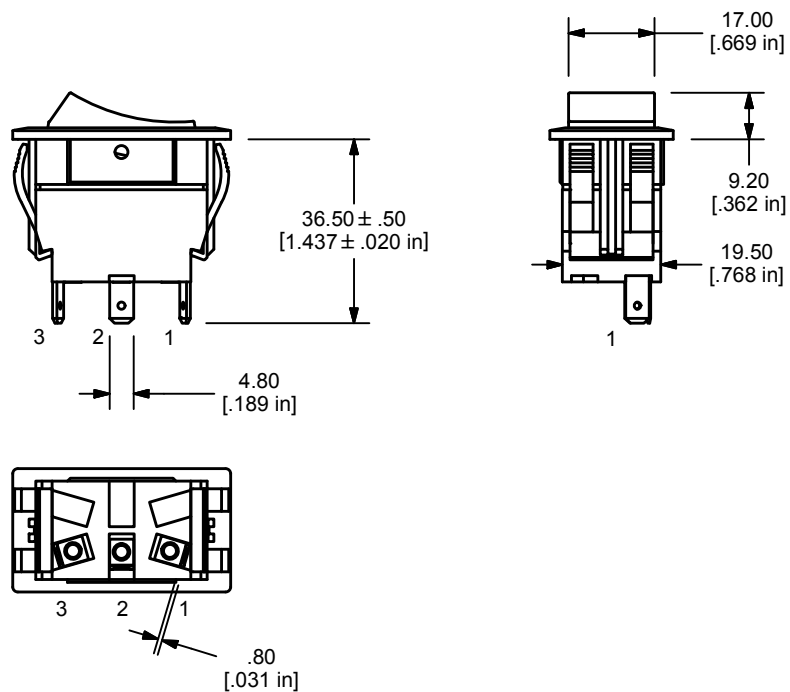
DOUBLE POLE - DP



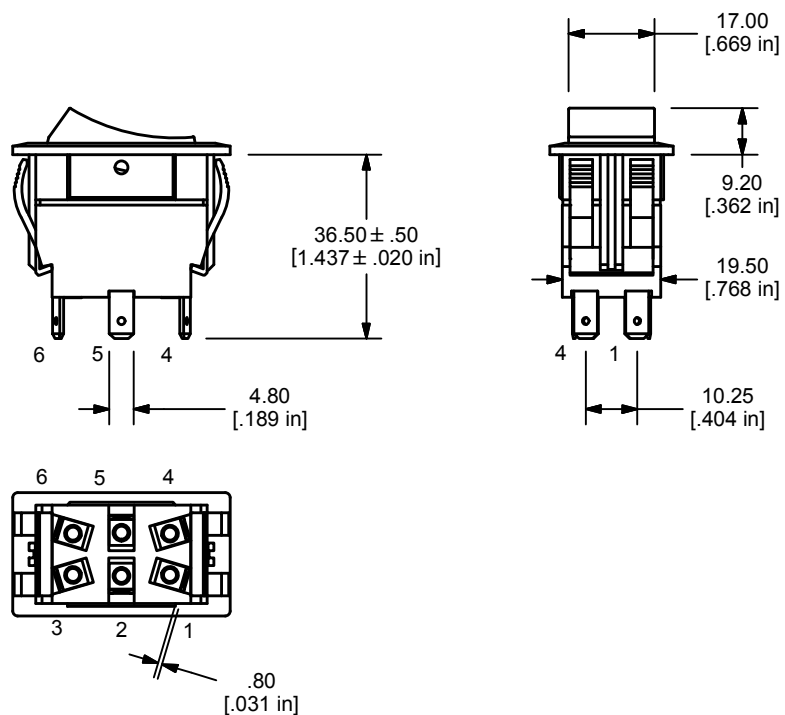
RVW SERIES ROCKER SWITCH

TERMINAL OPTIONS

- ANTI-VANDAL SWITCHES
- DETECTOR SWITCHES
- DIP SWITCHES
- KEYLOCK SWITCHES
- NAVIGATION SWITCHES
- PUSHBUTTON SWITCHES
- ROCKER SWITCHES**
- ROTARY SWITCHES
- SLIDE SWITCHES
- SNAP ACTION SWITCHES
- TACTILE SWITCHES
- TOGGLE SWITCHES
- CAP OPTIONS



SINGLE POLE SHOWN WITH
4.8MM TABS

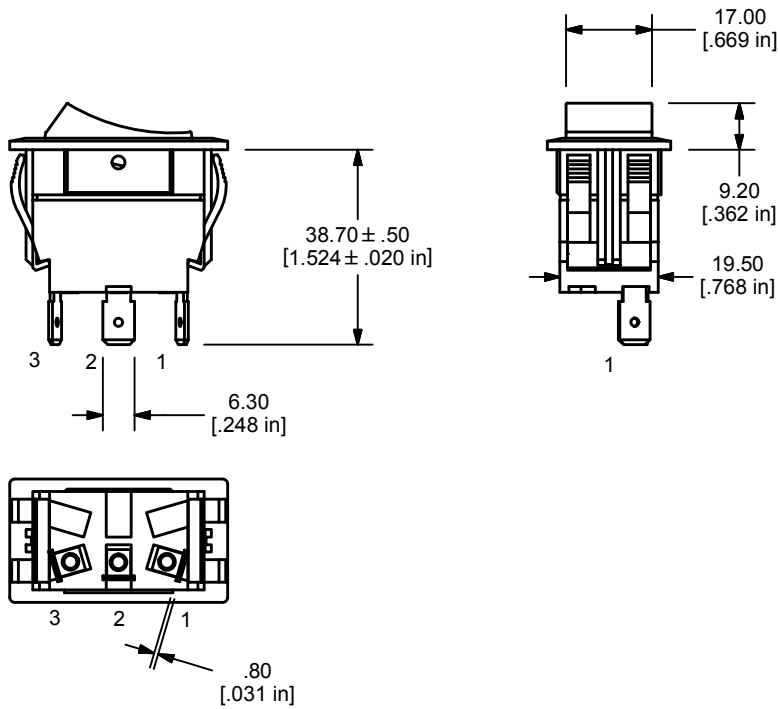


DOUBLE POLE SHOWN WITH
4.8MM TABS

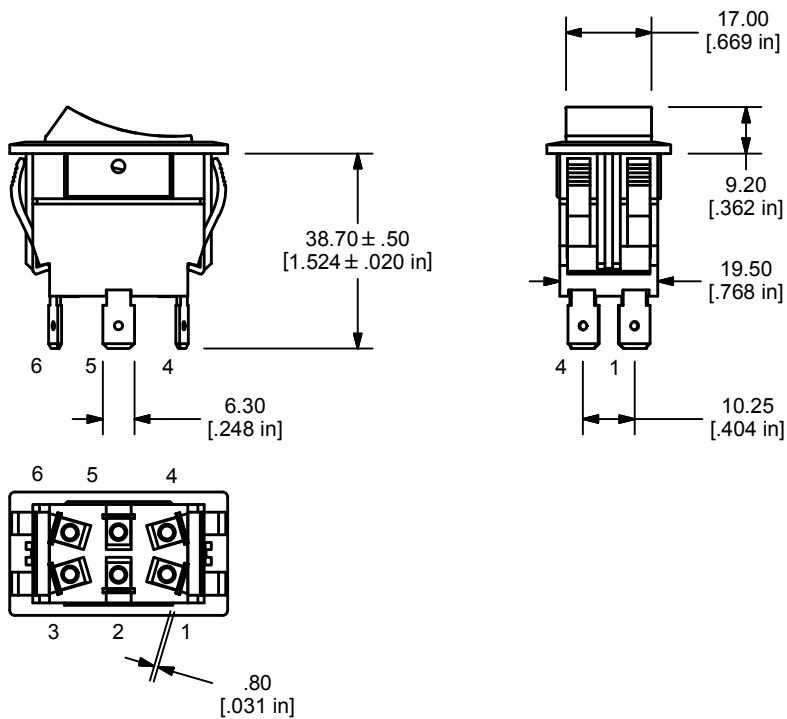


RVW SERIES ROCKER SWITCH

TERMINAL OPTIONS



**SINGLE POLE SHOWN WITH
6.3 TAB TABS**



**DOUBLE POLE SHOWN WITH
6.3MM TABS**

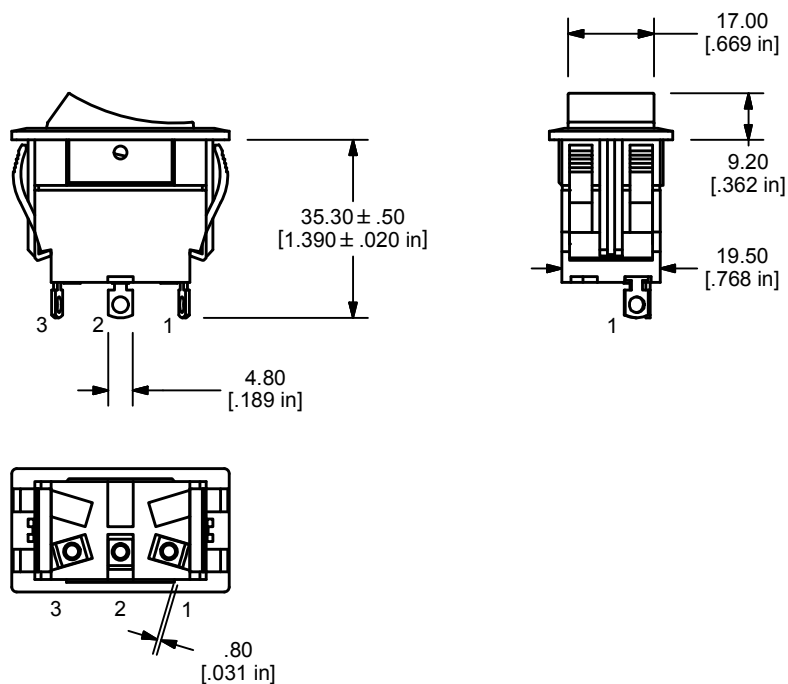
- ANTI-VANDAL SWITCHES
- DETECTOR SWITCHES
- DIP SWITCHES
- KEYLOCK SWITCHES
- NAVIGATION SWITCHES
- PUSHBUTTON SWITCHES
- ROCKER SWITCHES**
- ROTARY SWITCHES
- SLIDE SWITCHES
- SNAP ACTION SWITCHES
- TACTILE SWITCHES
- TOGGLE SWITCHES
- CAP OPTIONS



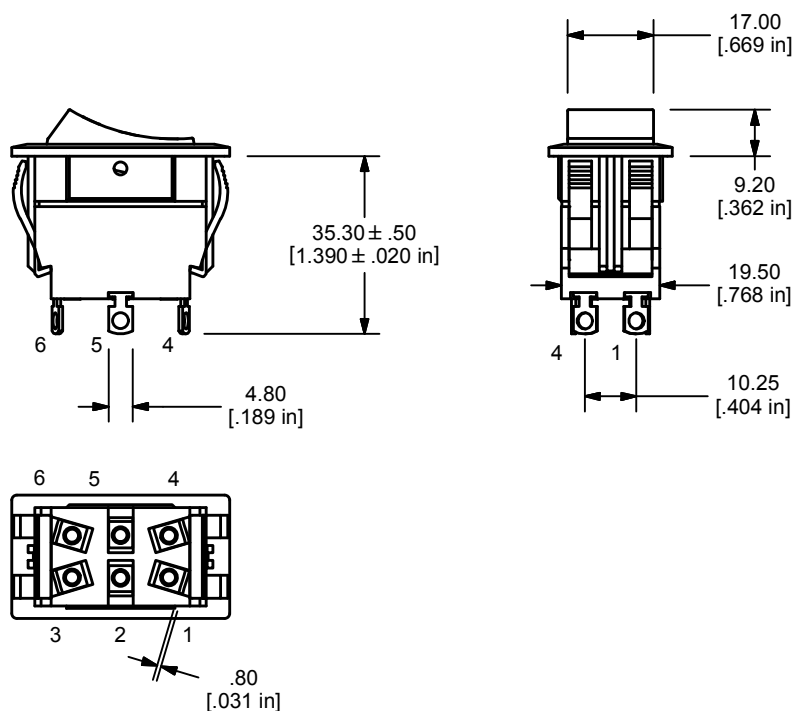
RVW SERIES ROCKER SWITCH

TERMINAL OPTIONS

- ANTI-VANDAL SWITCHES
- DETECTOR SWITCHES
- DIP SWITCHES
- KEYLOCK SWITCHES
- NAVIGATION SWITCHES
- PUSHBUTTON SWITCHES
- ROCKER SWITCHES**
- ROTARY SWITCHES
- SLIDE SWITCHES
- SNAP ACTION SWITCHES
- TACTILE SWITCHES
- TOGGLE SWITCHES
- CAP OPTIONS



**SINGLE POLE SHOWN WITH
SOLDER TERMINALS**

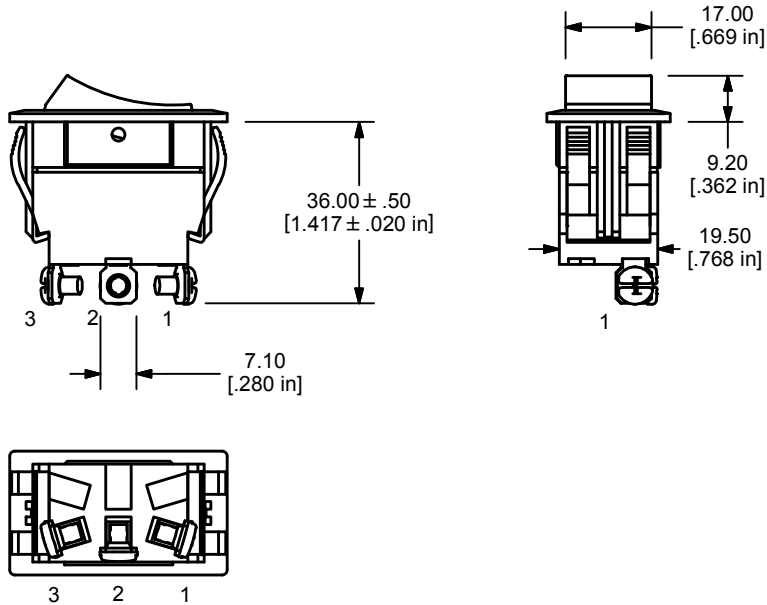


**DOUBLE POLE SHOWN WITH
SOLDER TERMINALS**

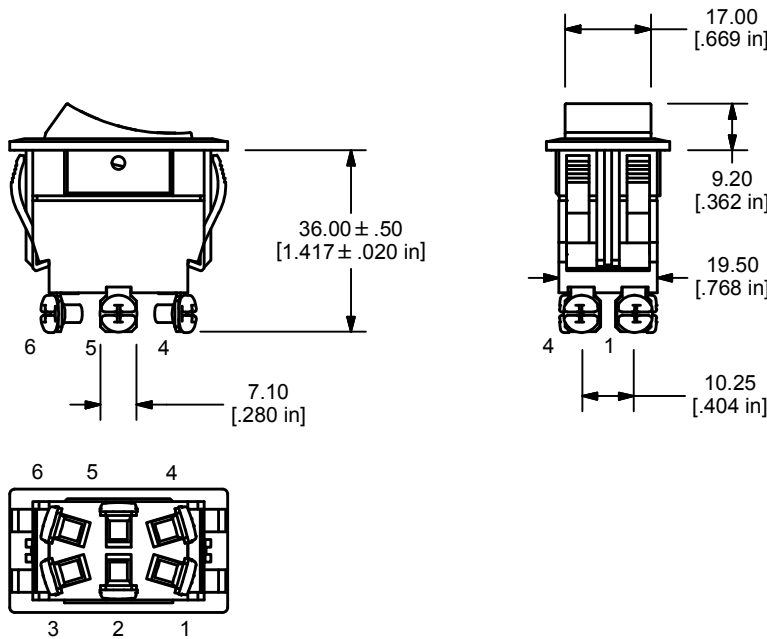


RVW SERIES ROCKER SWITCH

TERMINAL OPTIONS



SINGLE POLE SHOWN WITH
SCREW TERMINALS



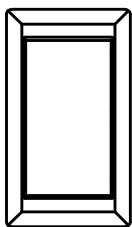
DOUBLE POLE SHOWN WITH
SCREW TERMINALS

- ANTI-VANDAL SWITCHES
- DETECTOR SWITCHES
- DIP SWITCHES
- KEYLOCK SWITCHES
- NAVIGATION SWITCHES
- PUSHBUTTON SWITCHES
- ROCKER SWITCHES**
- ROTARY SWITCHES
- SLIDE SWITCHES
- SNAP ACTION SWITCHES
- TACTILE SWITCHES
- TOGGLE SWITCHES
- CAP OPTIONS

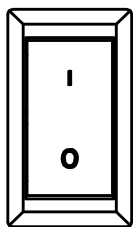


RVW SERIES ROCKER SWITCH

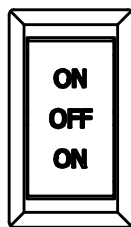
MARKING OPTIONS



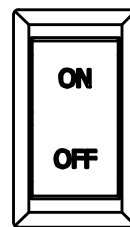
"0"
NONE



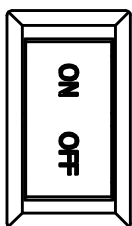
"1"
I/O
Vertical



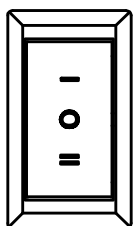
"2"
On-Off-On
Vertical



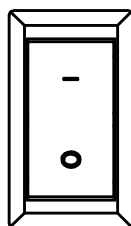
"3"
ON-OFF
Vertical



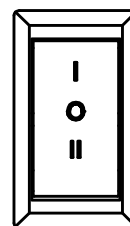
"4"
On-Off
Horizontal



"9"
I/O/II
Horizontal

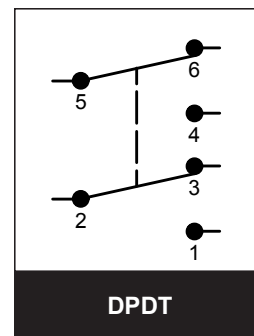
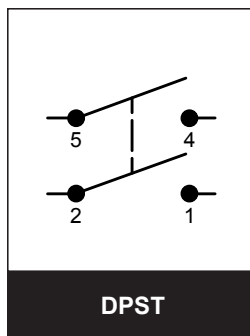
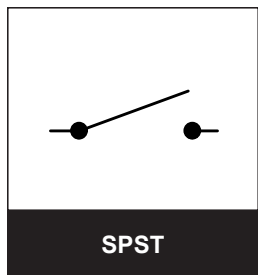


"R"
I/O
Horizontal

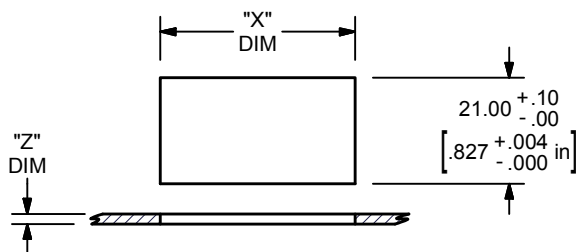


"S"
I/O/II
Vertical

SCHEMATICS



PANEL CUTOUT



PANEL THICKNESS "Z"	"X" DIM
2.50 - 3.50 [0.98 - 0.138]	37.00 ⁺¹⁰ _{-.00} [1.457 ⁺⁰⁰⁴ _{-.000} in]
3.50 - 4.50 [0.138 - 0.177]	37.50 ⁺¹⁰ _{-.00} [1.476 ⁺⁰⁰⁴ _{-.000} in]



Looking for pricing, stock, or lifecycle information?

Click below to explore more details on WIN SOURCE:

 [View RVW4GD1100](#) on WIN SOURCE

 [E-SWITCH](#) Information

Optimize Your Supply Chain with WIN SOURCE Solutions

-  Global Sourcing Solution
-  Obsolete Management
-  Cost Control Management
-  Shortage Management
-  Alternative Solution
-  Excess Inventory Management