



**THE DATASHEET OF
KLDX-PA-0202-A-LT**





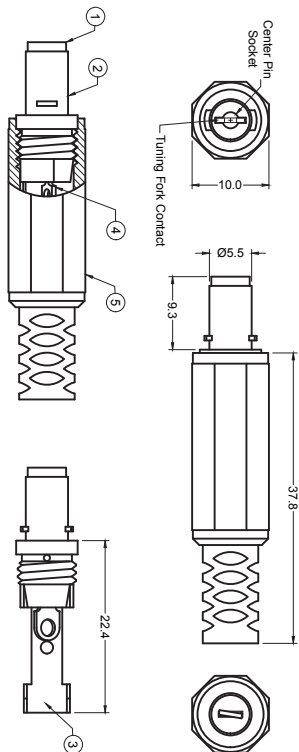
DC POWER CONNECTORS: KLDX Plug Series
DC Power Plug

Product Features

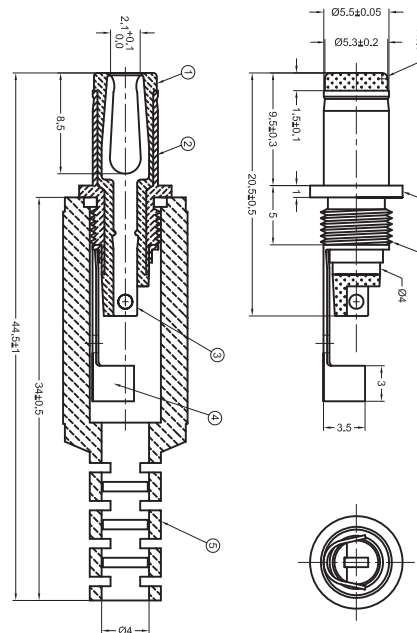
To be used with 2.0mm and 2.5mm Jacks
 Available as Assembly Type or For Overmolding
 Available Locking and non Locking Type
 Tuning Fork Design

KLDX-PA-0202
Dimensions in mm

KLDX-PA-0202-x-LT
 Assembly type, Locking



KLDX-PA-0202-A
 Assembly type, Non Locking



2D Drawing	IGES	STEP	3D PDF
Solder Profile	CofC RoHS Compliant	CofC REACH Compliant	UL Plastic File
Certificate of Origin	Check Stock	Request a Sample	Send Us An Email

Generated Part Number

Part Number Builder

-
 Series Diameter Type Option

Series

KLDX-PA-0202 - DC Power Plug Assembly Type

Diameter

A - For 2.0mm Jack
 B - For 2.5mm Jack

Type

Blank - Standard Type (Non Locking)
 LT - Locking Type

Contact Kycon for Custom Cable Options

Looking for pricing, stock, or lifecycle information?

Click below to explore more details on WIN SOURCE:

 [View KLDX-PA-0202-A-LT on WIN SOURCE](#)

 [Kycon, Inc. Information](#)

Optimize Your Supply Chain with WIN SOURCE Solutions

-  Global Sourcing Solution
-  Obsolete Management
-  Cost Control Management
-  Shortage Management
-  Alternative Solution
-  Excess Inventory Management