



**THE DATASHEET OF
P14-8RHT6-C**

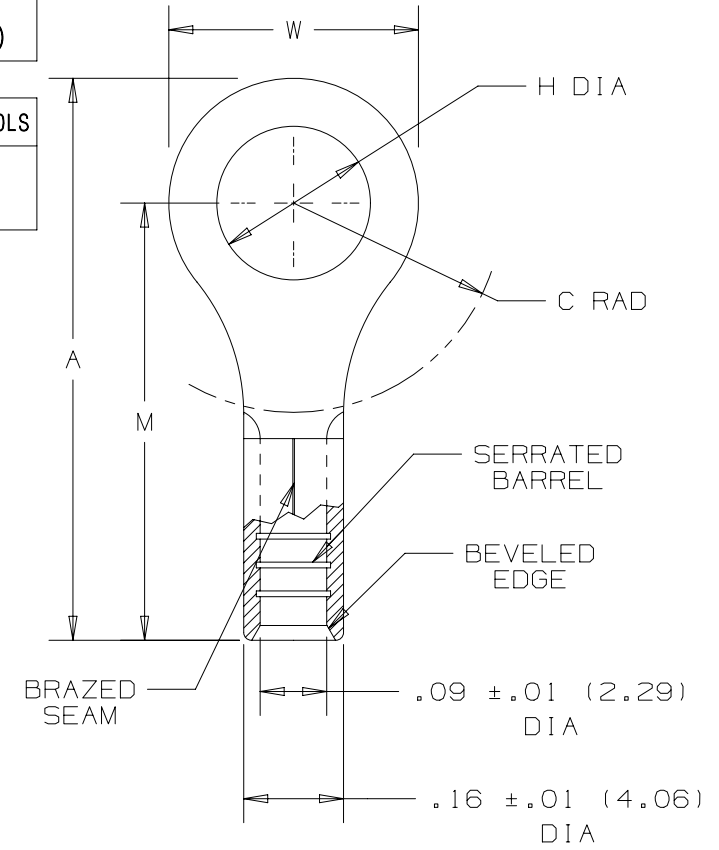


THIS COPY IS PROVIDED ON A RESTRICTED BASIS AND IS NOT TO BE USED IN ANY WAY DETRIMENTAL TO THE INTERESTS OF PANDUIT CORP.

PANDUIT PART #	STUD SIZE	DIMENSIONS - in. [mm]				
		A ± .02 [0,5]	W ± .01 [0,3]	C ± .02 [0,5]	M ± .02 [0,5]	H ± .01 [0,3]
P14-6RHT6	#6	.62 [15,75]	.25 [6,35]	.20 [5,08]	.50 [12,70]	.15 [3,81]
P14-8RHT6	#8	.71 [18,03]	.31 [7,87]	.25 [6,35]	.55 [13,97]	.17 [4,32]
P14-10RHT6	#10	.71 [18,03]	.31 [7,87]	.25 [6,35]	.55 [13,97]	.20 [5,08]

UL TOOLS
CT-100A
CT-200
CT-600-A (CT-570CH)
CT-1570
CT-2500 (CT-2570CH)

PANDUIT APPROVED TOOLS
CT-160
CT-260



NOTES:

- UL LISTED FOR:
 - A. #18-14 AWG SOLID OR STRANDED COPPER WIRE
 - B. 650°F [343°C] MAX TEMP RATING
 - C. 2000 VOLTS MAX
2. SEE www.panduit.com FOR PACKAGE QUANTITIES
3. MATERIAL:
 - A. STAMPING - .03" [0,8] THK COPPER, NICKEL PLATED
4. DIMENSIONS IN BRACKETS ARE IN MILLIMETERS
5. WIRE STRIP LENGTH: 9/32" ^{+1/32}₋₀ [7,1mm ^{+0,8}₋₀]



TITLE	
#18-14 BARREL NON-INSULATED RING TONGUE, HIGH TEMPERATURE, 650° F	
CUSTOMER DRAWING	
ITEM REVISION NAME	N41266BA/07
DATASET FILE NAME	N41266BA/07
UNLESS OTHERWISE SPECIFIED, DIMENSIONAL TOLERANCES ARE: IN [mm]	MATERIAL: SEE NOTE 3
.X ± .XX ±	.XXX ± ANGLES ±
THIRD ANGLE PROJECTION	
DRAWN BY: DAW	DATE: []
CHK: []	SCALE: NONE
DRAWING NUMBER: A41266	
REV	SHT 1 OF 1
DATE	SIZE: A

REV	DATE	BY	CHK	APR	DESCRIPTION	ECN
07	5/17	JHNU	TMR	RGB	UPDATED TOOL CHART FORMAT	N41266BA-A41266
06	06/14	MBY	JHNU	RGB	ADDED cULus LOGO, REVISED NOTES, MOVED TOOLS TO TABLE, UPDATED BORDER	N41266BA-A41266

D101000DA/16

Looking for pricing, stock, or lifecycle information?

Click below to explore more details on WIN SOURCE:

 [View P14-8RHT6-C on WIN SOURCE](#)

 [Panduit Corp](#) Information

Optimize Your Supply Chain with WIN SOURCE Solutions

-  Global Sourcing Solution
-  Obsolete Management
-  Cost Control Management
-  Shortage Management
-  Alternative Solution
-  Excess Inventory Management