



**THE DATASHEET OF
TL4100AF240QG**

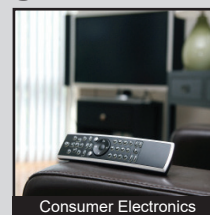
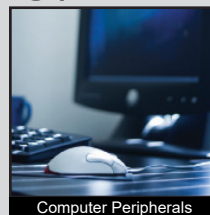
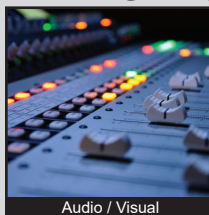


TL4100 SERIES TACT SWITCH

ANTI-VANDAL SWITCHES
 DETECTOR SWITCHES
 DIP SWITCHES
 KEYLOCK SWITCHES
 NAVIGATION SWITCHES
 PUSHBUTTON SWITCHES
 ROCKER SWITCHES
 ROTARY SWITCHES
 SLIDE SWITCHES
 SNAP ACTION SWITCHES
TACTILE SWITCHES
 TOGGLE SWITCHES
 CAP OPTIONS



APPLICATIONS / MARKETS



RoHS

SPECIFICATIONS

Electrical Rating: 50mA, 12VDC
Life Expectancy: up to 1,000,000 Cycles
Contact Resistance: 100mΩ Max.
Insulation Resistance: 100MΩ Min. at 500VDC
Dielectric Strength: 250VAC for 1 Minute
Operating Temperature: -40°C to 85°C
Operating Force: 120gf (1,000,000 cycles)
 160gf (dependent on termination type)
 240gf (500,000 cycles)
Travel: 0.15mm
Function: SPST, Off-(On), Momentary

FEATURES & BENEFITS

- Up to 1,000,000 cycle life expectancy
- Right angle edge mounted design
- Multiple force options
- Gullwing, and L-shape terminals option

PART NUMBER CONFIGURATOR

| Series | Circuit | Actuator | Force | Plating | Termination |
|--------|---------|----------|---|------------|---|
| TL | 4100 | A - 2.00 | F120 - 120 gf F160 - 160 gf F240 - 240 gf | Q - Silver | G - Gullwing L - Gullwing with L-shape terminals |

Specifications subject to change without notice 6.1.2025



E-SWITCH®

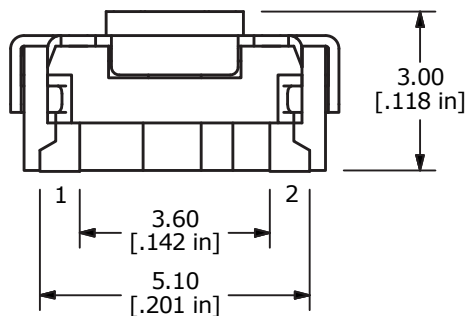
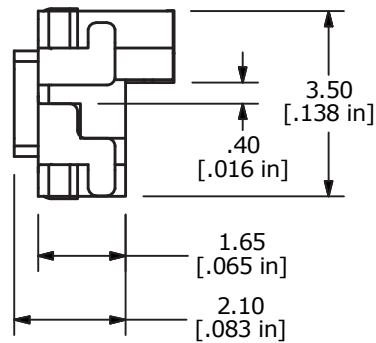
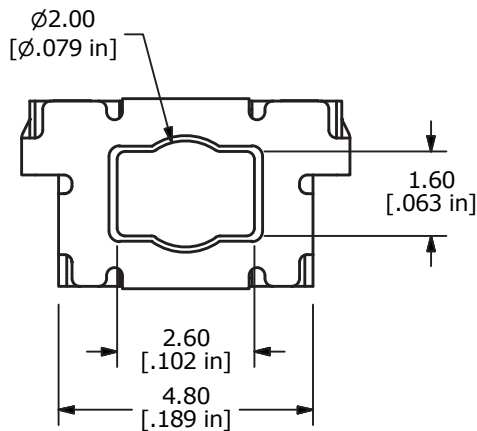
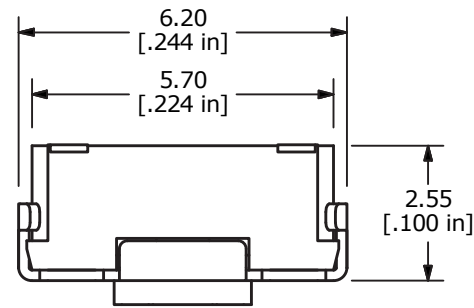
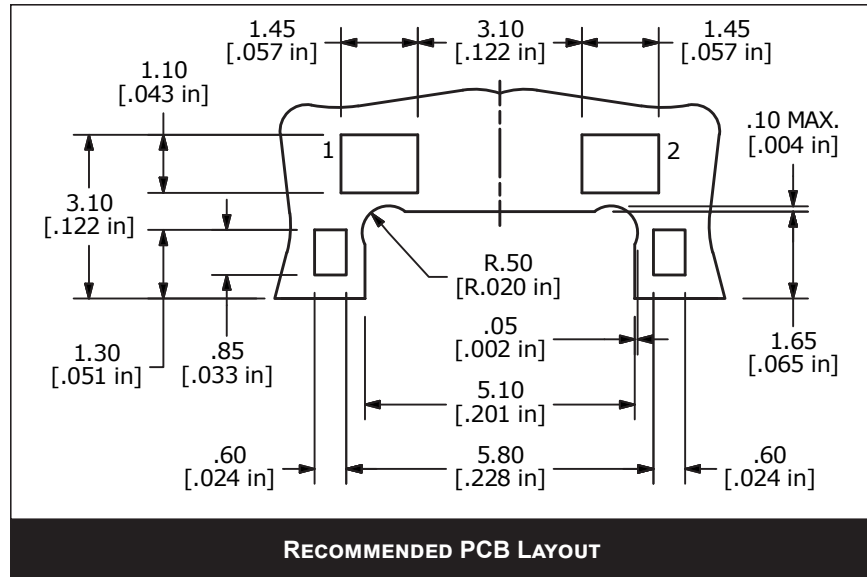
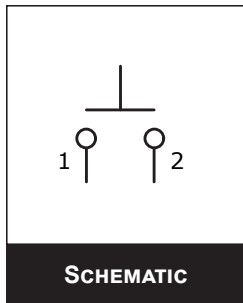
www.e-switch.com

800.867.2717

1

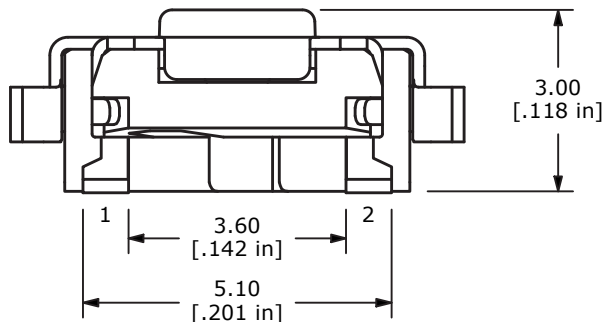
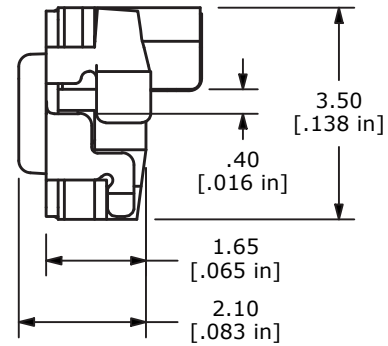
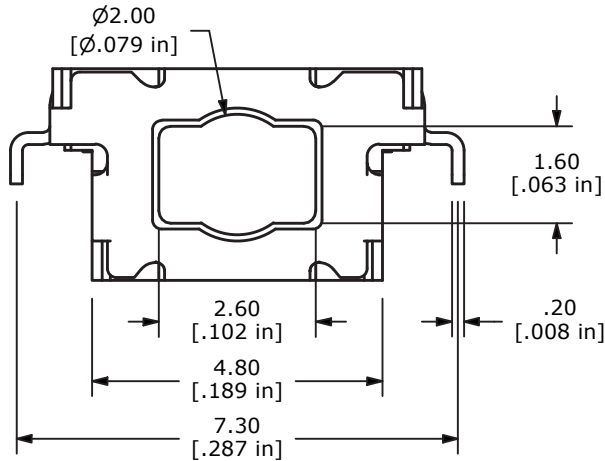
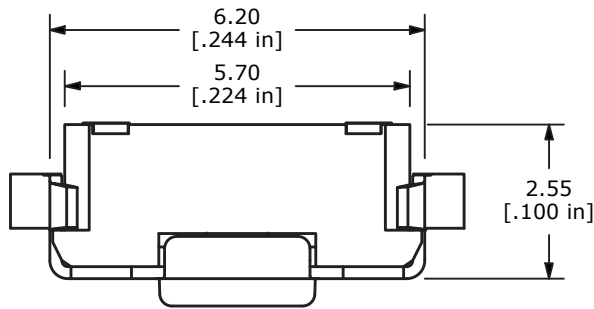
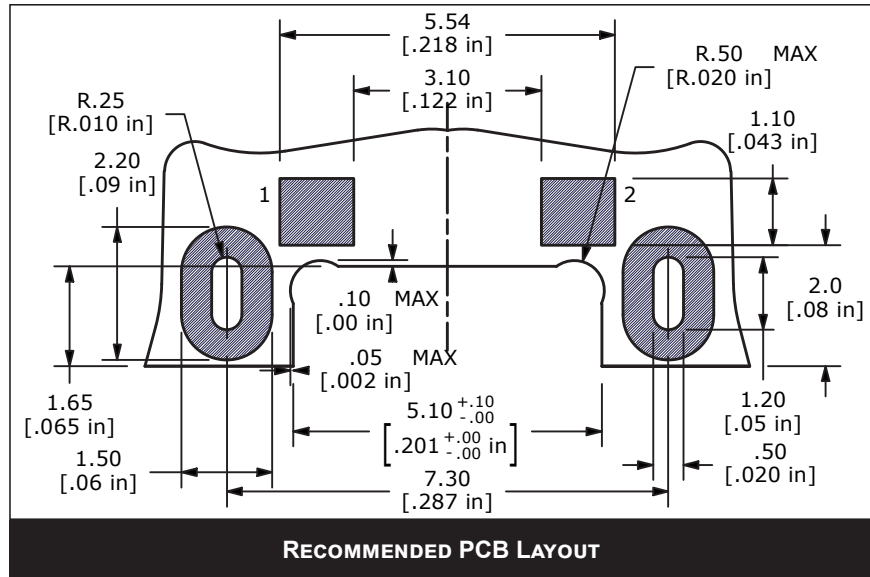
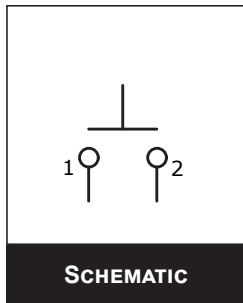
TL4100 SERIES TACT SWITCH

BODY DIMENSIONS GULLWING (G)



TL4100 SERIES TACT SWITCH

BODY DIMENSIONS GULLWING WITH L-SHAPE TERMINALS (L)



ANTI-VANDAL SWITCHES
DETECTOR SWITCHES
DIP SWITCHES
KEYLOCK SWITCHES
NAVIGATION SWITCHES
PUSHBUTTON SWITCHES
ROCKER SWITCHES
ROTARY SWITCHES
SLIDE SWITCHES
SNAP ACTION SWITCHES
TACTILE SWITCHES
TOGGLE SWITCHES
CAP OPTIONS

Looking for pricing, stock, or lifecycle information?

Click below to explore more details on WIN SOURCE:

 [View TL4100AF240QG on WIN SOURCE](#)

 [E-SWITCH](#) Information

Optimize Your Supply Chain with WIN SOURCE Solutions

-  Global Sourcing Solution
-  Obsolete Management
-  Cost Control Management
-  Shortage Management
-  Alternative Solution
-  Excess Inventory Management