



**THE DATASHEET OF
RT1105AF160Q**

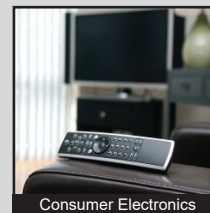
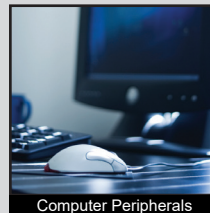
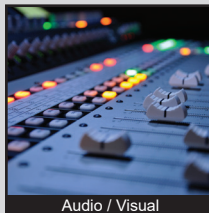


RT1105 SERIES TACT SWITCH

ANTI-VANDAL SWITCHES
 DETECTOR SWITCHES
 DIP SWITCHES
 KEYLOCK SWITCHES
 NAVIGATION SWITCHES
 PUSHBUTTON SWITCHES
 ROCKER SWITCHES
 ROTARY SWITCHES
 SLIDE SWITCHES
 SNAP ACTION SWITCHES
TACTILE SWITCHES
 TOGGLE SWITCHES
 CAP OPTIONS



APPLICATIONS / MARKETS



RoHS

SPECIFICATIONS

Contact Arrangement: SPST Off - (On)
Contact Rating: 12VDC, 50mA
Contact Resistance: 100mΩ Max. (Initial)
Insulation Resistance: 100MΩ Min. at 100VDC
Dielectric Strength: 250VAC for 1 Minute
Electrical Life: 100,000 Cycles
Operating Temperature: -20°C to 85°C
Operating Force: 160gf ± 50gf
 260gf +100/-50gf
 350gf +100/-50gf
Travel: 0.25mm
Bounce: 10m sec. max.

FEATURES & BENEFITS

- 100,000 cycle life expectancy
- Tray packaging
- Top Actuated Through-hole, Reverse
- 4.40mm Actuator Height
- PC Pin Termination
- Multiple Gram Force Options – 160gf (red), 260gf (dark gray), 350gf (blue)

PART NUMBER CONFIGURATOR

Series	Model	Actuator	Actuation Force	Contact Material
<input type="text" value="RT"/>	<input type="text" value="1105"/>	<input type="text" value="A - 0.7mm"/>	<input type="text" value="F160 - 160 gf"/> <input type="text" value="F260 - 260 gf"/> <input type="text" value="F350 - 350 gf"/>	<input type="text" value="Q - Silver"/>

Specifications subject to change without notice 6.21.2021



E-SWITCH®

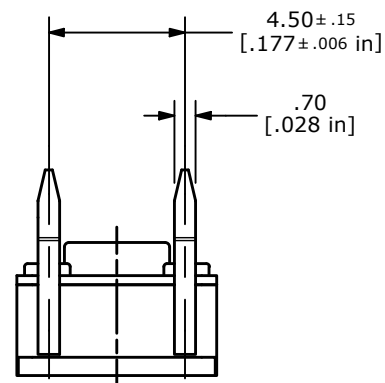
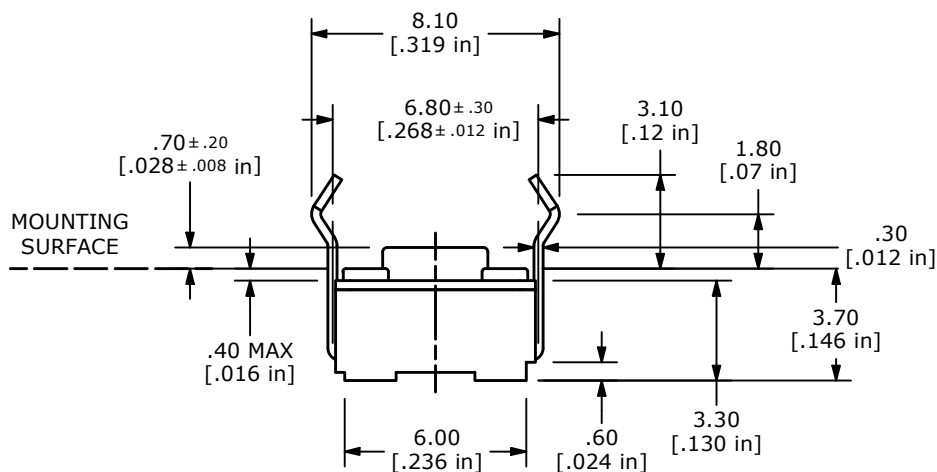
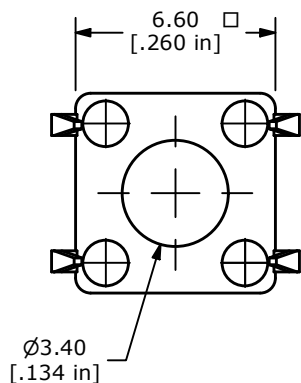
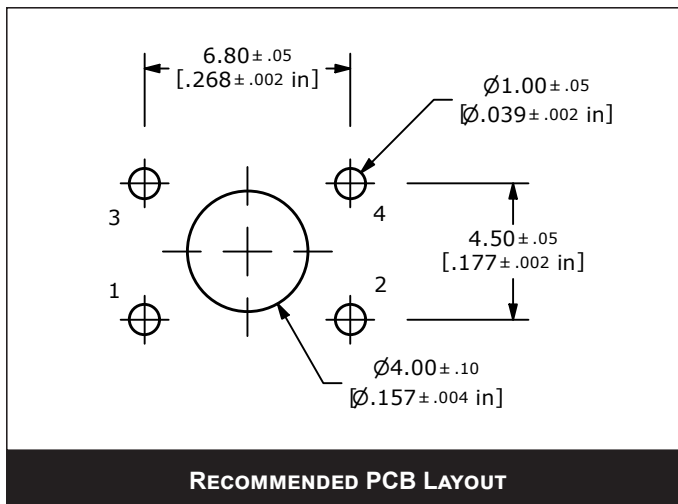
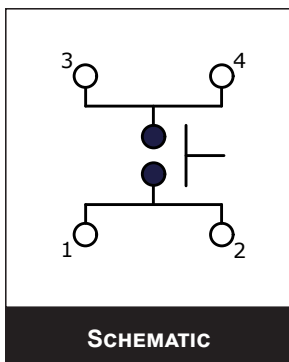
www.e-switch.com

800.867.2717

1

RT1105 SERIES TACT SWITCH

BODY DIMENSIONS



Looking for pricing, stock, or lifecycle information?

Click below to explore more details on WIN SOURCE:

 [View RT1105AF160Q on WIN SOURCE](#)

 [E-SWITCH](#) Information

Optimize Your Supply Chain with WIN SOURCE Solutions

-  Global Sourcing Solution
-  Obsolete Management
-  Cost Control Management
-  Shortage Management
-  Alternative Solution
-  Excess Inventory Management