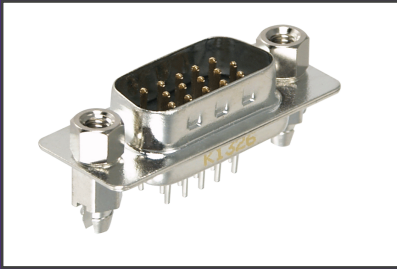




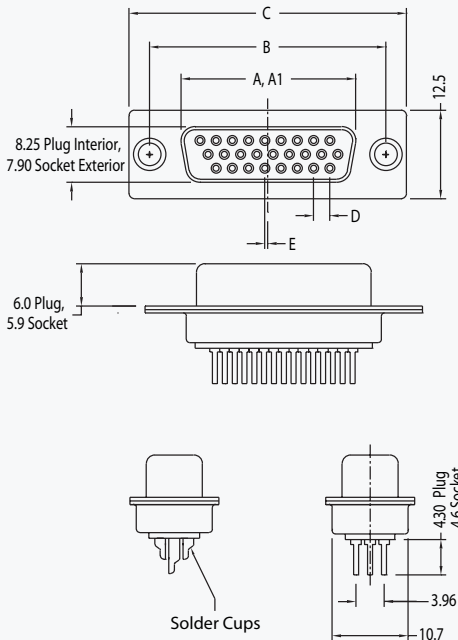
**THE DATASHEET OF
K86X-AD-26S-BR**





D-SUBMINIATURE CONNECTORS:
K86X Series
 High Density Vertical PCB Mount and Solder Cup

K86X Series Dimensions
 Dimensions in mm



Number of Contacts (Shell Size)	Dimensions (Inch/mm)					
	A±0.35	A1±0.35	B±0.25	C±0.25	D±0.25	E±0.25
15 (E)	16.33	16.92	24.99	30.81	2.29	0.25
26 (A)	24.75	25.25	33.32	39.14	2.29	0.50
44 (B)	38.38	38.96	47.04	53.04	2.29	0.50
62 (C)	54.80	55.42	63.50	69.40	2.41	0.60

A = Exterior of Female Shell (S)
 A1 = Interior of Male Shell (P)

2D Drawing	IGES	STEP	3D PDF
Solder Profile	CofC RoHS Compliant	CofC REACH Compliant	UL Plastic File
Certificate of Origin	Check Stock	Request a Sample	Send Us An Email

Generated Part Number

Part Number Builder

<input type="text"/>	-	<input type="text"/>	<input type="text"/>	<input type="text"/>	<input type="text"/>	<input type="text"/>
Series		Shell Type	Pin Type	Contact Option	Contact Type	Mounting Option Plating Option

Series

K86X - D-Subminiature Vertical Connector

Contact Shell Size

- E - 15 Contacts
- A - 26 Contacts
- B - 44 Contacts
- C - 62 Contacts

Contact Construction, Pin Type

- A - Precision Formed, Solder Cup (Not Available with BR/BRJ)
- D - Precision Formed, Vertical Pin (PCB Mount)

Contact Type

- P - Pin Contact (Plug)
- S - Socket Contact (Receptacle)

Mounting Option

- Blank - Through Hole
- BR - #4-40 Threaded Boardlocks
- BRJ - #4-40 Threaded Boardlocks and #4-40 Jackscrews Installed
- K - #4-40 Threaded Bushings
- KJ - #4-40 Bushings and #4-40 Jackscrews

Plating Option

- Blank - Gold Flash
- 30 - 30µ" Gold

Contact Kycon for Other Options

Looking for pricing, stock, or lifecycle information?

Click below to explore more details on WIN SOURCE:

 [View K86X-AD-26S-BR on WIN SOURCE](#)

 [Kycon, Inc. Information](#)

Optimize Your Supply Chain with WIN SOURCE Solutions

-  Global Sourcing Solution
-  Obsolete Management
-  Cost Control Management
-  Shortage Management
-  Alternative Solution
-  Excess Inventory Management