





# PROGRAMMABLE FLEXPC™ CLOCK FOR P4 PROCESSOR

**IDTCV115-2**

## FEATURES:

- One high precision N Programming PLL for CPU
- One high precision N Programming PLL for SRC/PCI
- One high precision PLL for SATA
- One high precision PLL for 96MHz/48MHz
- Band-gap circuit for differential outputs
- Support multiple spread spectrum modulation, down and center
- Support SMBus block read/write, index read/write
- Selectable output strength for REF, PCI, and 48MHz
- Available in SSOP package

## KEY SPECIFICATION:

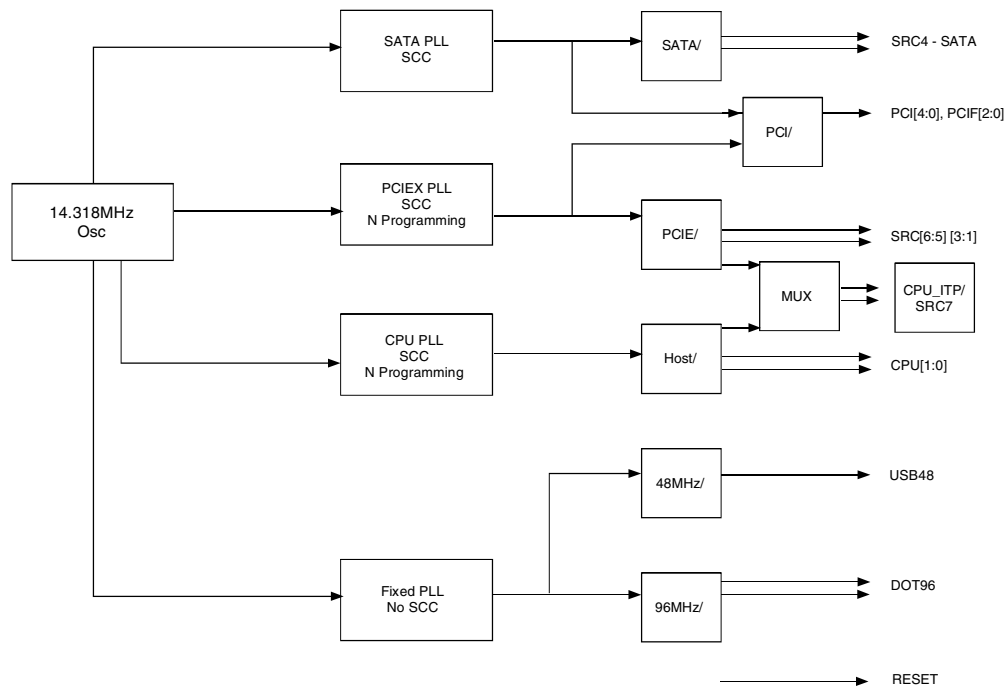
- CPU/SRC CLK cycle to cycle jitter < 85ps
- SATA CLK cycle to cycle jitter < 85ps
- Static PLL frequency divide error ≤ 114 ppm
- Static PLL frequency divide error for 48MHz ≤ 5 ppm

## DESCRIPTION:

IDTCV115-2 is a 56 pin clock device, complying the latest Intel CK410 requirements, for Intel advance P4 processors. The CPU output buffer is designed to support up to 400MHz processor. One dedicated PLL for Serial ATA clock provides high accuracy frequency. This device also implements Band-gap referenced IREF to reduce the impact of VDD variation on differential outputs, which can provide more robust system performance.

Each CPU/SRC/PCI, SATA clock has its own Spread Spectrum selection, which allows for isolated changes instead of affecting other clock groups.

## FUNCTIONAL BLOCK DIAGRAM



## OUTPUT TABLE

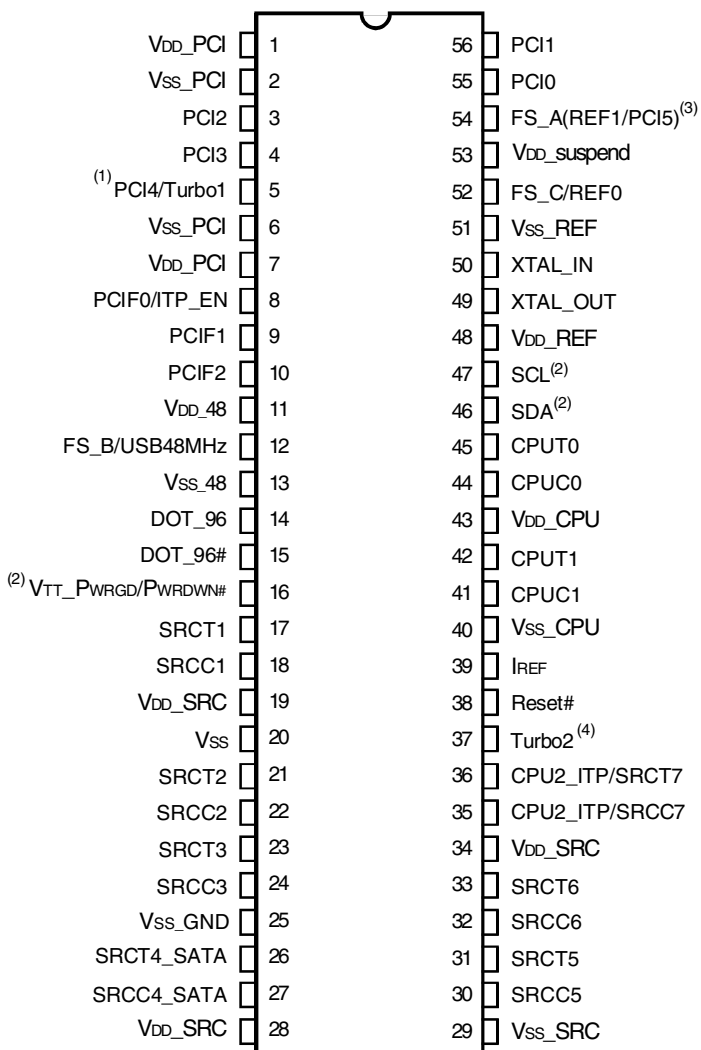
| CPU | CPU_ITP/SRC | SRC | SATA | PCI/PCIF | REF/PCI | REF | DOT96 | 24_48MHz | RESET | TURBO |
|-----|-------------|-----|------|----------|---------|-----|-------|----------|-------|-------|
| 2   | 1           | 5   | 1    | 8        | 1       | 1   | 1     | 1        | 1     | 2     |

The IDT logo is a registered trademark of Integrated Device Technology, Inc.

COMMERCIAL TEMPERATURE RANGE

APRIL 2004

## PIN CONFIGURATION



## TEST MODE SELECT<sup>(1)</sup>

If TEST\_SEL sampled above 2V at VTT\_PWRGD active LOW

| Pin38<br>(test_mode) | CPU   | SRC   | PCI/F | REF  | DOT96 | USB   |
|----------------------|-------|-------|-------|------|-------|-------|
| 1                    | REF/N | REF/N | REF/N | REF  | REF/N | REF/N |
| 0                    | Hi-Z  | Hi-Z  | Hi-Z  | Hi-Z | Hi-Z  | Hi-Z  |

### NOTE:

1. Once test clock operation has been invoked, TEST\_MODE pin will select between the Hi-Z and REF/N,

## ITP\_EN

| ITP_EN | pin 35    | pin 36   |
|--------|-----------|----------|
| 1      | CPUC2_ITP | CPUT_ITP |
| 0      | SRCC7     | SRCT7    |

### NOTES:

1. After power on, pin 5 is tristate (see Byte 30 and Byte 2).
2. ~ 130KΩ internal pull-up.
3. After power on, REF1/PCI5 is tristate (see Byte 1).
4. Disabled at power on.

## SSOP TOP VIEW

## HW FREQUENCY SELECTION TABLE

| FSC, B, A | CPU     | SRC4_SATA | SRC[3:1], SCR[7:5] | PCI  | USB | DOT | REF    |
|-----------|---------|-----------|--------------------|------|-----|-----|--------|
| 101       | 100     | 100       | 100                | 33.3 | 48  | 96  | 14.318 |
| 001       | 133     | 100       | 100                | 33.3 | 48  | 96  | 14.318 |
| 011       | 166     | 100       | 100                | 33.3 | 48  | 96  | 14.318 |
| 010       | 200     | 100       | 100                | 33.3 | 48  | 96  | 14.318 |
| 000       | 266     | 100       | 100                | 33.3 | 48  | 96  | 14.318 |
| 100       | 333     | 100       | 100                | 33.3 | 48  | 96  | 14.318 |
| 110       | 400     | 100       | 100                | 33.3 | 48  | 96  | 14.318 |
| 111       | Reserve | 100       | 100                | 33.3 | 48  | 96  | 14.318 |

## PIN DESCRIPTION

| Pin Number | Name                           | Type | Description   |
|------------|--------------------------------|------|---|
| 1          | V <sub>DD</sub> _PCI           | PWR  | 3.3V  |
| 2          | V <sub>SS</sub> _PCI           | GND  | GND   |
| 3          | PCI2                           | OUT  | PCI clock   |
| 4          | PCI3                           | OUT  | PCI clock   |
| 5          | PCI4/Turbo1                    | OUT  | PCI clock output or Turbo input. Byte 30, bit 3 mode selection. Byte 30, bit 3 = 1, PCI clock. 0 = Turbo mode. In Turbo mode, 1 = load TCN and TPN into CPU and SRC PLL.  |
| 6          | V <sub>SS</sub> _PCI           | GND  | GND   |
| 7          | V <sub>DD</sub> _PCI           | PWR  | 3.3V  |
| 8          | PCIF0/ITP_EN                   | I/O  | PCI clock, free running. CPU_2 select (sampled at V <sub>TT</sub> _PWRGD assertion), HIGH = CPU_2.  |
| 9          | PCIF1                          | OUT  | PCI clock,  |
| 10         | PCIF2                          | OUT  | PCI clock,  |
| 11         | V <sub>DD</sub> _48            | PWR  | 3.3V  |
| 12         | FS_B/USB48                     | I/O  | CPU Frequency selection. 48MHz afterward.   |
| 13         | V <sub>SS</sub> _48            | GND  | GND   |
| 14         | DOT_96T                        | OUT  | 96MHz 0.7V current mode differential clock output   |
| 15         | DOT_96C                        | OUT  | 96MHz 0.7V current mode differential clock output   |
| 16         | V <sub>TT</sub> _PWRGD/PWRDWN# | I/O  | 3.3V LVTTTL input is a level-sensitive strobe used to latch the FS_A, FS_B, FS_C/TEST_SEL and PCIF_0/ITP_EN inputs. After V <sub>TT</sub> _PWRGD assertion, active HIGH, becomes a real-time input for asserting power down (active LOW). Internal pull HIGH. |
| 17         | SRCT1                          | OUT  | Differential Serial reference clock   |
| 18         | SRCC1                          | OUT  | Differential Serial reference clock   |
| 19         | V <sub>DD</sub> _SRC           | PWR  | 3.3V  |
| 20         | V <sub>SS</sub>                | GND  | GND   |
| 21         | SRCT2                          | OUT  | Differential Serial reference clock   |
| 22         | SRCC2                          | OUT  | Differential Serial reference clock   |
| 23         | SRCT3                          | OUT  | Differential Serial reference clock   |
| 24         | SRCC3                          | OUT  | Differential Serial reference clock   |
| 25         | V <sub>SS</sub>                | GND  | GND   |
| 26         | SRCT4_SATA                     | OUT  | SATA clock  |
| 27         | SRCC4_SATA                     | OUT  | SATA clock  |
| 28         | V <sub>DD</sub> _SRC           | PWR  | 3.3V  |
| 29         | V <sub>SS</sub> _SRC           | GND  | GND   |
| 30         | SRCC5                          | OUT  | Differential Serial reference clock   |
| 31         | SRCT5                          | OUT  | Differential Serial reference clock   |
| 32         | SRCC6                          | OUT  | Differential Serial reference clock   |
| 33         | SRCT6                          | OUT  | Differential Serial reference clock   |
| 34         | V <sub>DD</sub> _SRC           | PWR  | 3.3V  |
| 35         | CPUC2_ITP/ SRCC7               | OUT  | Selectable CPU or SRC differential clock output. ITP_EN=0 @ V <sub>TT</sub> _PWRGD assertion = SRC_7  |
| 36         | CPUT2_ITP/ SRCT7               | OUT  | Selectable CPU or SRC differential clock output. ITP_EN=0 @ V <sub>TT</sub> _PWRGD assertion = SRC_7  |
| 37         | Turbo2                         | IN   | Load TCN2 into CPU PLL. Disabled at power on (see Byte 26).   |
| 38         | Reset#                         | OUT  | Reset output  |
| 39         | IREF                           | OUT  | Reference current for differential output buffer  |
| 40         | V <sub>SS</sub>                | GND  | GND   |
| 41         | CPUC1                          | OUT  | Host 0.7V current mode differential clock output  |
| 42         | CPUT1                          | OUT  | Host 0.7V current mode differential clock output  |
| 43         | V <sub>DD</sub> _CPU           | PWR  | 3.3V  |
| 44         | CPUC0                          | OUT  | Host 0.7V current mode differential clock output  |
| 45         | CPUT0                          | OUT  | Host 0.7V current mode differential clock output  |
| 46         | SDA                            | I/O  | SMBus data  |

## PIN DESCRIPTION (CONT.)

| Pin Number | Name            | Type  | Description   |
|------------|-----------------|-------|---|
| 47         | SCL             | IN    | SMBus CLK   |
| 48         | VDD_REF         | PWR   | 3.3V  |
| 49         | XTAL_OUT        | OUT   | Xtal output   |
| 50         | XTAL_IN         | IN    | Xtal input  |
| 51         | VSS_REF         | GND   | GND   |
| 52         | FS_C/REF0       | I/O   | CPU frequency selection input at VTT_PWRGD assertion. 14.318 reference clock output afterward.  |
| 53         | VDD_Suspend     | POWER | Keep supply 3.3V in the power down  |
| 54         | FS_A(REF1/PCI5) | I/O   | CPU frequency selection input at VTT_PWRGD assertion. 14.318 or PCI reference clock output afterward, SMBus selectable. Tristate at power on. |
| 55         | PCI0            | OUT   | PCI clock   |
| 56         | PCI1            | OUT   | PCI clock   |

## SM PROTOCOL

### INDEX BLOCK WRITE PROTOCOL

| Bit   | # of bits | From   | Description                          |
|-------|-----------|--------|--------------------------------------|
| 1     | 1         | Master | Start                                |
| 2-9   | 8         | Master | D2h                                  |
| 10    | 1         | Slave  | Ack (Acknowledge)                    |
| 11-18 | 8         | Master | Register offset byte (starting byte) |
| 19    | 1         | Slave  | Ack (Acknowledge)                    |
| 20-27 | 8         | Master | Byte count, N, (0 is not valid)      |
| 28    | 1         | Slave  | Ack (Acknowledge)                    |
| 29-36 | 8         | Master | first data byte (Offset data byte)   |
| 37    | 1         | Slave  | Ack (Acknowledge)                    |
| 38-45 | 8         | Master | 2nd data byte                        |
| 46    | 1         | Slave  | Ack (Acknowledge)                    |
|       |           |        | :                                    |
|       |           | Master | Nth data byte                        |
|       |           | Slave  | Acknowledge                          |
|       |           | Master | Stop                                 |

### INDEX BLOCK READ PROTOCOL

Master can stop reading any time by issuing the stop bit without waiting until Nth byte (byte count bit30-37).

| Bit   | # of bits | From   | Description  |
|-------|-----------|--------|--|
| 1     | 1         | Master | Start  |
| 2-9   | 8         | Master | D2H  |
| 10    | 1         | Slave  | Ack (Acknowledge)                                  |
| 11-18 | 8         | Master | Register offset byte (starting byte)               |
| 19    | 1         | Slave  | Ack (Acknowledge)                                  |
| 20    | 1         | Master | Repeated Start                                     |
| 21-28 | 8         | Master | D3H  |
| 29    | 1         | Slave  | Ack (Acknowledge)                                  |
| 30-37 | 8         | Slave  | Byte count, N (block read back of N bytes), Byte 8 |
| 38    | 1         | Master | Ack (Acknowledge)                                  |
| 39-46 | 8         | Slave  | first data byte (Offset data byte)                 |
| 47    | 1         | Master | Ack (Acknowledge)                                  |
| 48-55 | 8         | Slave  | 2nd data byte                                      |
|       |           |        | Ack (Acknowledge)                                  |
|       |           |        | :  |
|       |           | Master | Ack (Acknowledge)                                  |
|       |           | Slave  | Nth data byte                                      |
|       |           |        | Not acknowledge                                    |
|       |           | Master | Stop   |

### INDEX BYTE WRITE

Setting bit[11:18] = starting address, bit[20:27] = 01h.

### INDEX BYTE READ

Setting bit[11:18] = starting address. After reading back the first data byte, master issues Stop bit.

CB1\_[2:0], CB2\_[2:0], CPU MODE SELECTION

| CB[2:0] | CPU Mode, MHz |
|---------|---------------|
| 101     | 100           |
| 001     | 133           |
| 011     | 166           |
| 010     | 200           |
| 000     | 266           |
| 100     | 333           |
| 110     | 400           |
| 111     | RESERVE       |

RESOLUTION

|                   | N Resolution (MHz) | %     | N = |
|-------------------|--------------------|-------|-----|
| CPU = 100MHz mode | 0.666667           | 0.67% | 150 |
| CPU = 133MHz mode | 0.888889           | 0.67% | 150 |
| CPU = 166MHz mode | 1.333333           | 0.8%  | 125 |
| CPU = 200MHz mode | 1.333333           | 0.67% | 150 |
| CPU = 266MHz mode | 2.666667           | 1.00% | 100 |
| CPU = 333MHz mode | 2.666667           | 0.8%  | 125 |
| CPU = 400MHz mode | 2.666667           | 0.67% | 150 |
| SRC (PCI Express) | 0.666667           | 0.67% | 150 |

SSC MAGNITUDE CONTROL

| SMC[2:0] | %      |
|----------|--------|
| 000      | OFF    |
| 001      | -0.25  |
| 010      | -0.5   |
| 011      | ±0.125 |
| 100      | ±0.25  |
| 101      | ±0.375 |
| 110      | ±0.5   |
| 111      | ±0.75  |

PCI

When Byte5 bit6 = 0

| PCIS[1:0] | PCI   |
|-----------|-------|
| 00        | 33.33 |
| 01        | 36.36 |
| 10        | 40    |
| 11        |       |

S\_CBS[1:0], H\_CBS[1:0] BAND SELECTION

| CBS[1:0] |           |
|----------|-----------|
| 00       | FS[C,B,A] |
| 01       | CB1_[2:0] |
| 10       | CB2_[2:0] |
| 11       | Don'tcare |

S\_CNS, S\_PNS, H\_CNS, H\_PNS N SELECTION

| NS[1:0] |                                  |
|---------|----------------------------------|
| 00      | Standard of Each CPU Mode (Band) |
| 01      | N Selection 1                    |
| 10      | N Selection 2                    |
| 11      | Don't care                       |

S.E. CLOCK STRENGTH SELECTION (PCI, REF, USB48)

| Str[1:0] |    | Multiple loads | Single loads | USB48     |
|----------|----|----------------|--------------|-----------|
| 00       | 2L | Recommend      |              | Recommend |
| 01       | 1H |                | Recommend    |           |
| 10       | 1L |                | Recommend    |           |
| 11       | 2H | Recommend      |              | Recommend |

BYTE 0

| Bit | Output(s) Affected            | Description/Function | 0        | 1      | Type | Power On |
|-----|-------------------------------|----------------------|----------|--------|------|----------|
| 7   | CPUT2, CPUC2/<br>SRCT7, SRCC7 | Output enable        | Tristate | Enable | RW   | 1        |
| 6   | SRCT6, SRCC6                  | Output enable        | Tristate | Enable | RW   | 1        |
| 5   | SRCT5, SRCC5                  | Output enable        | Tristate | Enable | RW   | 1        |
| 4   | SRCT4, SRCC4 (SATA)           | Output enable        | Tristate | Enable | RW   | 1        |
| 3   | SRCT3, SRCC3                  | Output enable        | Tristate | Enable | RW   | 1        |
| 2   | SRCT2, SRCC2                  | Output enable        | Tristate | Enable | RW   | 1        |
| 1   | SRCT1, SRCC1                  | Output enable        | Tristate | Enable | RW   | 1        |
| 0   | REF0 2x drive                 | 2x drive enable      | 1x       | 2x     | RW   | 1        |

BYTE 1

| Bit | Output(s) Affected | Description/Function | 0        | 1      | Type | Power On | Recommended |
|-----|--------------------|----------------------|----------|--------|------|----------|-------------|
| 7   | DOT96T, DOT96C     | Output enable        | Tristate | Enable | RW   | 1        |             |
| 6   |                    | Not bonded out       | Tristate | Enable | RW   | 1        | 0           |
| 5   | USB48              | Output enable        | Tristate | Enable | RW   | 1        |             |
| 4   | REF1/PCI5          | Mode Select          | PCI5     | REF1   | RW   | 0        |             |
| 3   | REF0               | Output enable        | Tristate | Enable | RW   | 1        |             |
| 2   | CPUT1, CPUC1       | Output enable        | Tristate | Enable | RW   | 1        |             |
| 1   | CPUT0, CPUC0       | Output enable        | Tristate | Enable | RW   | 1        |             |
| 0   | REF1/PCI5          | Output enable        | Tristate | Enable |      | 0        |             |

BYTE 2

| Bit | Output(s) Affected | Description/Function | 0        | 1      | Type | Power On |
|-----|--------------------|----------------------|----------|--------|------|----------|
| 7   | PCI4               | Output enable        | Tristate | Enable | RW   | 1        |
| 6   | PCI3               | Output enable        | Tristate | Enable | RW   | 1        |
| 5   | PCI2               | Output enable        | Tristate | Enable | RW   | 1        |
| 4   | PCI1               | Output enable        | Tristate | Enable | RW   | 1        |
| 3   | PCI0               | Output enable        | Tristate | Enable | RW   | 1        |
| 2   | PCIF2              | Output enable        | Tristate | Enable | RW   | 1        |
| 1   | PCIF1              | Output enable        | Tristate | Enable | RW   | 1        |
| 0   | PCIF0              | Output enable        | Tristate | Enable | RW   | 1        |

BYTE 3

| Bit | Output(s) Affected | Description / Function        | 0                    | 1                      | Type | Power On |
|-----|--------------------|-------------------------------|----------------------|------------------------|------|----------|
| 7   |                    | FSC latched value on power up |                      |                        | R    |          |
| 6   |                    | FSB latched value on power up |                      |                        | R    |          |
| 5   |                    | FSA latched value on power up |                      |                        | R    |          |
| 4   | SRCT[7:1]          | SRCT Pwrdsn drive mode        | Driven in power down | Tristate in power down | RW   | 0        |
| 3   | CPUT2              | CPUT2 Pwrdsn drive mode       | Driven in power down | Tristate in power down | RW   | 0        |
| 2   | CPUT1              | CPUT1 Pwrdsn drive mode       | Driven in power down | Tristate in power down | RW   | 0        |
| 1   | CPUT0              | CPUT0 Pwrdsn drive mode       | Driven in power down | Tristate in power down | RW   | 0        |
| 0   | DOT96T             | DOT96 power down drive mode   | Driven in power down | Tristate               | RW   | 0        |

BYTE 4

| Bit | Output(s) Affected | Description / Function       | 0 | 1 | Type | Power On |
|-----|--------------------|------------------------------|---|---|------|----------|
| 7   | PCIFStr1           | PCIF strength selection      |   |   |      | 0        |
| 6   | PCIFStr0           |                              |   |   |      | 0        |
| 5   | PCIStrC1           | PCI strength selection       |   |   |      | 0        |
| 4   | PCIStrC0           |                              |   |   |      | 1        |
| 3   | REFStr1            | REF strength selection       |   |   |      | 0        |
| 2   | REFStr0            |                              |   |   |      | 0        |
| 1   | 48MHStr1           | USB48MHz0 strength selection |   |   |      | 1        |
| 0   | 48MHzStr0          |                              |   |   |      | 1        |

BYTE 5

| Bit | Output(s) Affected            | Description / Function  | 0                   | 1                          | Type | Power On |
|-----|-------------------------------|---|---------------------|----------------------------|------|----------|
| 7   |                               |   |                     |                            |      |          |
| 6   | PCIPLLS                       | PCI PLL select  | SATA PLL            | PCI EX PLL                 | RW   | 0        |
| 5   | PCIS1                         | See PCIS table, only valid when Byte5 bit 6 = 0 See PCIS Table    |                     |                            | RW   | 0        |
| 4   | PCIS0                         |   |                     |                            | RW   | 0        |
| 3   | SM control registers contents | During the Power Down   | Reset SM to default | SM contents have no change | RW   | 1        |
| 2   | SATA_SMC2                     | SATA PLL spread spectrum magnitude control select (see SMC table) |                     |                            | RW   | 0        |
| 1   | SATA_SMC1                     |   |                     |                            | RW   | 1        |
| 0   | SATA_SMC0                     |   |                     |                            | RW   | 0        |

BYTE 6

| Bit | Output(s) Affected | Description / Function   | 0 | 1 | Type | Power On |
|-----|--------------------|--|---|---|------|----------|
| 7   | WDHRB              | Hard Alarm read back, reset by WD disable                                    |   |   | R    |          |
| 6   | WDSRB              | Soft Alarm read back, rest by WD disable                                     |   |   | R    |          |
| 5   | SRC_SMC2           | SRC(PCIExpress) PLL spread spectrum magnitude control select (see SMC table) |   |   | RW   | 0        |
| 4   | SRC_SMC1           |  |   |   | RW   | 1        |
| 3   | SRC_SMC0           |  |   |   | RW   | 0        |
| 2   | CPU_SMC2           | CPU PLL spread spectrum control magnitude select (see SMC table)             |   |   | RW   | 1        |
| 1   | CPU_SMC1           |  |   |   | RW   | 0        |
| 0   | CPU_SMC0           |  |   |   | RW   | 0        |

BYTE 7

| Bit | Output(s) Affected | Description / Function | 0 | 1 | Type | Power On |
|-----|--------------------|------------------------|---|---|------|----------|
| 7   |                    | Revision ID            |   |   |      | 0        |
| 6   |                    | Revision ID            |   |   |      | 0        |
| 5   |                    | Revision ID            |   |   |      | 0        |
| 4   |                    | Revision ID            |   |   |      | 0        |
| 3   |                    | Vendor ID              |   |   |      | 0        |
| 2   |                    | Vendor ID              |   |   |      | 1        |
| 1   |                    | Vendor ID              |   |   |      | 0        |
| 0   |                    | Vendor ID              |   |   |      | 1        |

BYTE 8

| Bit | Output(s) Affected | Description / Function | 0 | 1 | Type | Power On |
|-----|--------------------|------------------------|---|---|------|----------|
| 7   |                    |                        |   |   | RW   | 0        |
| 6   |                    |                        |   |   | RW   | 0        |
| 5   |                    |                        |   |   | RW   | 0        |
| 4   |                    |                        |   |   | RW   | 1        |
| 3   |                    |                        |   |   | RW   | 1        |
| 2   |                    |                        |   |   | RW   | 1        |
| 1   |                    |                        |   |   | RW   | 1        |
| 0   |                    |                        |   |   | RW   | 1        |

BYTES 9 - 16 ARE DUMMY BITES

BYTE 17

| Bit | Output(s) Affected | Description / Function                                     | 0 | 1 | Type | Power On |
|-----|--------------------|--|---|---|------|----------|
| 7   | CB1_2              | CPU PLL Band Selection 1<br>(see CPU Mode Selection table) |   |   | RW   | 0        |
| 6   | CB1_1              |  |   |   | RW   | 0        |
| 5   | CB1_0              |  |   |   | RW   | 0        |
| 4   |                    |  |   |   | RW   | 0        |
| 3   | CB2_2              | CPU PLL Band Selection 2<br>(see CPU Mode Selection table) |   |   | RW   | 0        |
| 2   | CB2_1              |  |   |   | RW   | 0        |
| 1   | CB2_0              |  |   |   | RW   | 0        |
| 0   | CN1_8 (MSB)        | CPU PLL N selection 1                                      |   |   | RW   | 0        |

BYTE 18

| Bit | Output(s) Affected | Description / Function  | 0 | 1 | Type | Power On |
|-----|--------------------|---|---|---|------|----------|
| 7   | CN1_7              | CPU PLL N selection 1<br>CPU Frequency = N * Resolution<br>(see Resolution table) |   |   | RW   | 1        |
| 6   | CN1_6              |   |   |   | RW   | 0        |
| 5   | CN1_5              |   |   |   | RW   | 0        |
| 4   | CN1_4              |   |   |   | RW   | 1        |
| 3   | CN1_3              |   |   |   | RW   | 0        |
| 2   | CN1_2              |   |   |   | RW   | 1        |
| 1   | CN1_1              |   |   |   | RW   | 1        |
| 0   | CN1_0 (LSB)        |   |   |   | RW   | 0        |

BYTE 19

| Bit | Output(s) Affected | Description / Function  | 0 | 1 | Type | Power On |
|-----|--------------------|---|---|---|------|----------|
| 7   | CN2_8 (MSB)        | CPU N selection 2<br>CPU Frequency = N * Resolution<br>(see Resolution table) |   |   |      | 0        |
| 6   | CN2_7              |   |   |   |      | 1        |
| 5   | CN2_6              |   |   |   |      | 0        |
| 4   | CN2_5              |   |   |   |      | 0        |
| 3   | CN2_4              |   |   |   |      | 1        |
| 2   | CN2_3              |   |   |   |      | 0        |
| 1   | CN2_2              |   |   |   |      | 1        |
| 0   | CN2_1              |   |   |   |      | 1        |

BYTE 20

| Bit | Output(s) Affected | Description / Function | 0 | 1 | Type | Power On |
|-----|--------------------|------------------------|---|---|------|----------|
| 7   | CN2_0 (LSB)        | CPU N selection 2      |   |   |      | 0        |
| 6   |                    |                        |   |   |      | 0        |
| 5   |                    |                        |   |   |      | 0        |
| 4   |                    |                        |   |   |      | 0        |
| 3   |                    |                        |   |   |      | 0        |
| 2   |                    |                        |   |   |      | 0        |
| 1   | PN1_8 (MSB)        |                        |   |   | RW   | 0        |
| 0   | PN1_7              |                        |   |   | RW   | 1        |

BYTE 21

| Bit | Output(s) Affected | Description / Function  | 0 | 1 | Type | Power On |
|-----|--------------------|---|---|---|------|----------|
| 7   | PN1_6              | SRC PLL (PCI Express)<br>N Selection 1<br>SRC Frequency = N * Resolution<br>Resolution = 0.666667 |   |   | RW   | 0        |
| 6   | PN1_5              |   |   |   | RW   | 0        |
| 5   | PN1_4              |   |   |   | RW   | 1        |
| 4   | PN1_3              |   |   |   | RW   | 0        |
| 3   | PN1_2              |   |   |   | RW   | 1        |
| 2   | PN1_1              |   |   |   | RW   | 1        |
| 1   | PN1_0 (LSB)        |   |   |   | RW   | 0        |
| 0   | PN2_8 (MSB)        |   |   |   | RW   | 0        |

BYTE 22

| Bit | Output(s) Affected | Description / Function  | 0 | 1 | Type | Power On |
|-----|--------------------|---|---|---|------|----------|
| 7   | PN2_7              | SRC PLL (PCI Express)<br>N Selection 1<br>SRC Frequency = N * Resolution<br>Resolution = 0.666667 |   |   | RW   | 1        |
| 6   | PN2_6              |   |   |   | RW   | 0        |
| 5   | PN2_5              |   |   |   | RW   | 0        |
| 4   | PN2_4              |   |   |   | RW   | 1        |
| 3   | PN2_3              |   |   |   | RW   | 0        |
| 2   | PN2_2              |   |   |   | RW   | 1        |
| 1   | PN2_1              |   |   |   | RW   | 1        |
| 0   | PN2_0 (LSB)        |   |   |   | RW   | 0        |

BYTE 23

| Bit | Output(s) Affected | Description / Function  | 0 | 1 | Type | Power On |
|-----|--------------------|---|---|---|------|----------|
| 7   | S_CBS1             | Soft Alarm CPU PLL mode select (see S_CBS Band Selection Table)         |   |   | RW   | 0        |
| 6   | S_CBS0             |   |   |   | RW   | 0        |
| 5   | S_CNS1             | Soft Alarm CPU PLL N select (see S_CNS N Selection Table)               |   |   | RW   | 0        |
| 4   | S_CNS0             |   |   |   | RW   | 0        |
| 3   | S_PNS1             | Soft Alarm SRC PLL (PCI Express) N select (see S_PNS N Selection Table) |   |   | RW   | 0        |
| 2   | S_PNS0             |   |   |   | RW   | 0        |
| 1   |                    |   |   |   |      | 0        |
| 0   |                    |   |   |   |      | 0        |

BYTE 24

| Bit | Output(s) Affected | Description / Function  | 0 | 1 | Type | Power On |
|-----|--------------------|---|---|---|------|----------|
| 7   | H_CBS1             | Hard Alarm CPU PLL mode select<br>(see H_CBS Band Selection table)            |   |   | RW   | 0        |
| 6   | H_CBS0             |   |   |   | RW   | 0        |
| 5   | H_CNS2             | Hard Alarm CPU PLL N select<br>(see H_CNS N Selection table)                  |   |   | RW   | 0        |
| 4   | H_CNS0             |   |   |   | RW   | 0        |
| 3   | H_PNS1             | Hard Alarm SRC PLL<br>(PCI Express) N select<br>(see H_PNS N selection table) |   |   | RW   | 0        |
| 2   | H_PNS0             |   |   |   | RW   | 0        |
| 1   |                    |   |   |   |      | 0        |
| 0   |                    |   |   |   |      | 0        |

BYTE 25

| Bit | Output(s) Affected | Description / Function | 0 | 1 | Type | Power On |
|-----|--------------------|------------------------|---|---|------|----------|
| 7   | WD Timer 7 (MSB)   | Hard Alarm timer       |   |   | RW   | 0        |
| 6   | WD Timer 6         | Default is 11*290ms    |   |   | RW   | 0        |
| 5   | WD Timer 5         |                        |   |   | RW   | 0        |
| 4   | WD Timer 4         |                        |   |   | RW   | 0        |
| 3   | WD Timer 3         |                        |   |   | RW   | 1        |
| 2   | WD Timer 2         |                        |   |   | RW   | 0        |
| 1   | WD Timer 1         |                        |   |   | RW   | 1        |
| 0   | WD Timer 0 (LSB)   |                        |   |   | RW   | 1        |

BYTE 26

| Bit | Output(s) Affected | Description / Function | 0       | 1      | Type | Power On |
|-----|--------------------|------------------------|---------|--------|------|----------|
| 7   | Turbo2             | Turbo Enable           | Disable | Enable | RW   | 0        |
| 6   |                    |                        |         |        | RW   | 0        |
| 5   |                    |                        |         |        | RW   | 0        |
| 4   |                    |                        |         |        | RW   | 0        |
| 3   | Soft Timer 3 (MSB) | Soft alarm timer       |         |        | RW   | 0        |
| 2   | Soft Timer 2       |                        |         |        | RW   | 0        |
| 1   | Soft Timer 1       |                        |         |        | RW   | 0        |
| 0   | Soft Timer 0 (LSB) |                        |         |        | RW   | 1        |

BYTE 27

| Bit | Output(s) Affected              | Description / Function               | 0       | 1                 | Type | Power On |
|-----|---------------------------------|--------------------------------------|---------|-------------------|------|----------|
| 7   | Watch Dog Enable                | Watch Dog Enable                     | Disable | Enable            | RW   | 0        |
| 6   |                                 |                                      |         |                   |      | 0        |
| 5   | Soft Alarm Enable               | Soft Alarm Enable                    | Disable | Enable            | RW   | 0        |
| 4   | Soft RESET#                     | Soft Reset Enable                    | Disable | Soft Reset Enable | RW   | 0        |
| 3   | Hard Alarm Enable               | Hard Alarm Enable                    | Disable | Enable            | RW   | 0        |
| 2   | Hard RESET#                     | Hard Reset Enable                    | Disable | Hard Reset Enable | RW   | 0        |
| 1   | Hard Alarm FS<br>Relatch Enable | Relatch FS[C, B, A]<br>at Hard Alarm | Disable | Relatch           | RW   | 0        |
| 0   | TCN8 (MSB)                      |                                      |         |                   | RW   | 0        |

BYTE 28

| Bit | Output(s) Affected | Description / Function  | 0 | 1 | Type | Power On |
|-----|--------------------|---|---|---|------|----------|
| 7   | TCN7               | Turbo CPU PLL N setting<br>CPU Frequency = N * Resolution<br>(see Resolution table) |   |   | RW   | 1        |
| 6   | TCN6               |   |   |   | RW   | 0        |
| 5   | TCN5               |   |   |   | RW   | 0        |
| 4   | TCN4               |   |   |   | RW   | 1        |
| 3   | TCN3               |   |   |   | RW   | 0        |
| 2   | TCN2               |   |   |   | RW   | 1        |
| 1   | TCN1               |   |   |   | RW   | 1        |
| 0   | TCN0 (LSB)         |   |   |   | RW   | 0        |

BYTE 29

| Bit | Output(s) Affected | Description / Function   | 0 | 1 | Type | Power On |
|-----|--------------------|--|---|---|------|----------|
| 7   | TPN8 (MSB)         | Turbo SRC PLL N setting<br>SRC Frequency = N * Resolution<br>Resolution=0.666667 |   |   |      | 0        |
| 6   | TPN7               |  |   |   |      | 1        |
| 5   | TPN6               |  |   |   |      | 0        |
| 4   | TPN5               |  |   |   |      | 0        |
| 3   | TPN4               |  |   |   |      | 1        |
| 2   | TPN3               |  |   |   |      | 0        |
| 1   | TPN2               |  |   |   |      | 1        |
| 0   | TPN1               |  |   |   |      | 1        |

BYTE 30

| Bit | Output(s) Affected | Description / Function             | 0                | 1  | Type | Power On |
|-----|--------------------|------------------------------------|------------------|--|------|----------|
| 7   | TPN0 (LSB)         |                                    |                  |  |      | 0        |
| 6   | TCN28              |                                    |                  |  |      | 0        |
| 5   |                    | Test Mode entry control            | Normal operation | Test mode,<br>controlled by byte 30 bit 4      |      | 0        |
| 4   |                    | Only valid when Byte6 bit5 is high | Hi-Z             | REF/N mode                                     |      | 0        |
| 3   | PCI4/Turbo 1       | PCI4/Turbo Mode select             | Turbo 1          | PCI4   | RW   | 0        |
| 2   | Turbo 1            |                                    | Disable          | Enable   | RW   | 0        |
| 1   | Test_scl           | On chip test mode enable           | normal           | SCLK=1, CLK outputs=1<br>SCLK=0, CLK outputs=0 | RW   | 0        |
| 0   | Test_hiz           | CLK outputs enable                 | normal           | CLK outputs=Tristate                           | RW   | 0        |

BYTE 31

| Bit | Output(s) Affected | Description / Function  | 0 | 1 | Type | Power On |
|-----|--------------------|-------------------------|---|---|------|----------|
| 7   | TCN27              | Turbo CPU PLL N setting |   |   |      | 1        |
| 6   | TCN26              |                         |   |   |      | 0        |
| 5   | TCN25              |                         |   |   |      | 0        |
| 4   | TCN24              |                         |   |   |      | 1        |
| 3   | TCN23              |                         |   |   |      | 0        |
| 2   | TCN22              |                         |   |   |      | 1        |
| 1   | TCN21              |                         |   |   |      | 1        |
| 0   | TCN20              |                         |   |   |      | 0        |

## PLL FREQUENCY PROGRAMMING PROCEDURES

The user changes PLL frequency through Soft Alarm or Hard Alarm. The Watch Dog circuit has to be enabled. Based on their application, the user may enable either one or both of the alarms.

User presets the CPU PLL Mode and N, and SRC PLL N value:

1. Set CPU PLL Mode, CB1 and CB2, byte17
2. Set CPU PLL N, CN1 and CN2, byte18 and byte19
3. Set SRC(PCI Express) PLL N, PN1 and PN2, byte21, 22

User selects the frequency for Soft Alarm and Hard Alarm, if enabled respectively:

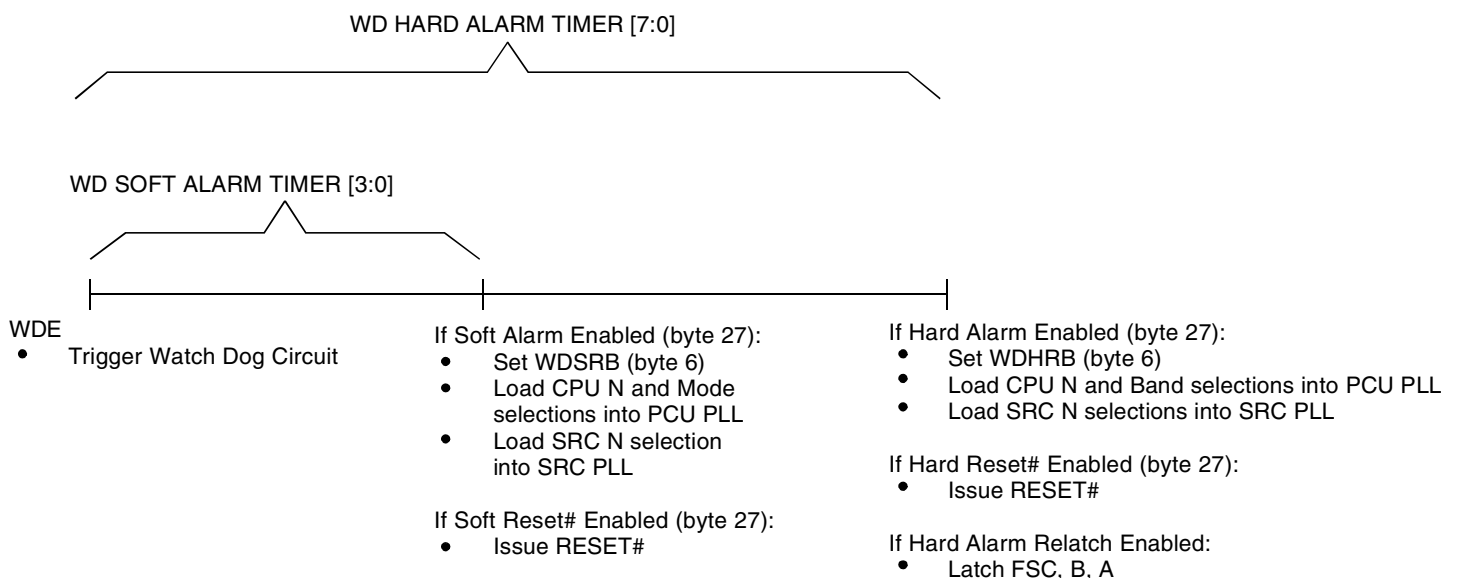
4. Select Soft Alarm frequency, byte23
5. Select Hard Alarm frequency, byte24

User sets the Timer and enables the WD circuit for frequency switch:

6. Set Hard Alarm Timer, byte25
7. Set Soft Alarm Timer, byte 26
8. Enable Soft and Hard Alarm and RESET# bit (If user needs RESET# signal to reset the system), byte27
9. Enable Watch Dog (WDE), byte27

- Soft Reset# and Hard Reset# are valid only if Soft Alarm and Hard Alarm are enabled respectively.
- WDE Disable resets WDSRB and WDHRB.
- PCI CLK is selectable from SRC PLL or SATA PLL, byte5 bit6. If from SRC PLL, PCI frequency = 1/3 of SRC frequency. If from SATA, PCI is fixed to 3 selections, 33MHz, 36MHz and 40MHz, byte5 bit[5:4].

## WD SOFT AND HARD ALARM/TIME OUT OPERATION



## ELECTRICAL CHARACTERISTICS - INPUT / SUPPLY / COMMON OUTPUT PARAMETERS

Following Conditions Apply Unless Otherwise Specified:

Operating Condition: TA = 0°C to +70°C, Supply Voltage: VDD = 3.3V ± 5%

| Symbol               | Parameter                                   | Test Conditions  | Min.                  | Typ.     | Max.                  | Unit |
|----------------------|---|--|-----------------------|----------|-----------------------|------|
| V <sub>IH</sub>      | Input HIGH Voltage                          | 3.3V ± 5%  | 2                     | —        | V <sub>DD</sub> + 0.3 | V    |
| V <sub>IL</sub>      | Input LOW Voltage                           | 3.3V ± 5%  | V <sub>SS</sub> - 0.3 | —        | 0.8                   | V    |
| V <sub>IH_FS</sub>   | FS Input HIGH Voltage                       | For FSA.B.C and Test_Mode  | 0.7                   | —        | V <sub>DD</sub> + 0.3 | V    |
| V <sub>IL_FS</sub>   | FS Input LOW Voltage                        | For FSA.B.C and Test_Mode  | V <sub>SS</sub> - 0.3 | —        | 0.35                  | V    |
| I <sub>IL</sub>      | Input Leakage Current                       | 0 < V <sub>IN</sub> < V <sub>DD</sub> , no internal pull-up or pull-down | -5                    | —        | +5                    | mA   |
| I <sub>DD3.3OP</sub> | Operating Supply Current                    | Full active, C <sub>L</sub> = full load                                  | —                     | —        | 400                   | mA   |
| I <sub>DD3.3PD</sub> | Powerdown Current                           | All differential pairs driven  | —                     | —        | 70                    | mA   |
|                      |   | All differential pairs tri-stated  | —                     | —        | 12                    |      |
| F <sub>I</sub>       | Input Frequency <sup>(1)</sup>              | V <sub>DD</sub> = 3.3V   | —                     | 14.31818 | —                     | MHz  |
| L <sub>PIN</sub>     | Pin Inductance <sup>(2)</sup>               |  | —                     | —        | 7                     | nH   |
| C <sub>IN</sub>      | Input Capacitance <sup>(2)</sup>            | Logic inputs   | —                     | —        | 5                     | pF   |
| C <sub>OUT</sub>     |   | Output pin capacitance   | —                     | —        | 6                     |      |
| C <sub>INX</sub>     |   | X1 and X2 pins   | —                     | —        | 5                     |      |
| T <sub>STAB</sub>    | Clock Stabilization <sup>(2,3)</sup>        | From V <sub>DD</sub> power-up or de-assertion of PD# to first clock      | —                     | —        | 1.8                   | ms   |
|                      | Modulation Frequency <sup>(2)</sup>         | Triangular modulation  | 30                    | —        | 33                    | KHz  |
|                      | T <sub>DRIVE_SRC</sub> <sup>(2)</sup>       | SRC output enable after PCI_Stop# de-assertion                           | —                     | —        | 15                    | ns   |
|                      | T <sub>DRIVE_PD#</sub> <sup>(2)</sup>       | CPU output enable after PD# de-assertion                                 | —                     | —        | 300                   | us   |
|                      | T <sub>FALL_PD#</sub> <sup>(2)</sup>        | Fall time of PD#   | —                     | —        | 5                     | ns   |
|                      | T <sub>RISE_PD#</sub> <sup>(3)</sup>        | Rise time of PD#   | —                     | —        | 5                     | ns   |
|                      | T <sub>DRIVE_CPU_Stop#</sub> <sup>(2)</sup> | CPU output enable after CPU_Stop# de-assertion                           | —                     | —        | 10                    | us   |
|                      | T <sub>FALL_CPU_Stop#</sub> <sup>(2)</sup>  | Fall time of PD#   | —                     | —        | 5                     | ns   |
|                      | T <sub>RISE_CPU_Stop#</sub> <sup>(3)</sup>  | Rise time of PD#   | —                     | —        | 5                     | ns   |

### NOTES:

1. Input frequency should be measured at the REF output pin and tuned to ideal 14.31818MHz to meet ppm frequency accuracy on PLL outputs.
2. This parameter is guaranteed by design, but not 100% production tested.
3. See TIMING DIAGRAMS for timing requirements.

## ELECTRICAL CHARACTERISTICS - CPU, SRC, AND DOT96 0.7 CURRENT MODE DIFFERENTIAL PAIR<sup>(1)</sup>

Following Conditions Apply Unless Otherwise Specified:

Operating Condition: TA = 0°C to +70°C, Supply Voltage: VDD = 3.3V ± 5%; CL = 2pF

| Symbol      | Parameter                                      | Test Conditions   | Min.    | Typ. | Max.    | Unit |
|-------------|--|---|---------|------|---------|------|
| ZO          | Current Source Output Impedance <sup>(2)</sup> | VO = Vx   | 3000    | —    | —       | Ω    |
| VOH3        | Output HIGH Voltage                            | I <sub>OH</sub> = -1mA  | 2.4     | —    | —       | V    |
| VOL3        | Output LOW Voltage                             | I <sub>OL</sub> = 1mA   | —       | —    | 0.4     | V    |
| VHIGH       | Voltage HIGH <sup>(2)</sup>                    | Statistical measurement on single-ended signal using oscilloscope math function | 660     | —    | 850     | mV   |
| VLOW        | Voltage LOW <sup>(2)</sup>                     |   | -150    | —    | 150     |      |
| VOVS        | Max Voltage <sup>(2)</sup>                     | Measurement on single-ended signal using absolute value                         | —       | —    | 1150    | mV   |
| VUDS        | Min Voltage <sup>(2)</sup>                     |   | -300    | —    | —       |      |
| VCROSS(ABS) | Crossing Voltage (abs) <sup>(2)</sup>          |   | 250     | —    | 550     | mV   |
| d - VCROSS  | Crossing Voltage (var) <sup>(2)</sup>          | Variation of crossing over all edges  | —       | —    | 140     | mV   |
| ppm         | Long Accuracy <sup>(2,3)</sup>                 | See TPERIOD Min. - Max. values  | -300    | —    | 300     | ppm  |
| TPERIOD     | Average Period <sup>(3)</sup>                  | 400MHz nominal/spread   | 2.4993  | —    | 2.5008  | ns   |
|             |  | 333.33MHz nominal/spread  | 2.9991  | —    | 3.0009  |      |
|             |  | 266.66MHz nominal/spread  | 3.7489  | —    | 3.7511  |      |
|             |  | 200MHz nominal/spread   | 4.9985  | —    | 5.0015  |      |
|             |  | 166.66MHz nominal/spread  | 5.9982  | —    | 6.0018  |      |
|             |  | 133.33MHz nominal/spread  | 7.4978  | —    | 7.5023  |      |
|             |  | 100MHz nominal/spread   | 9.997   | —    | 10.003  |      |
|             |  | 96MHz nominal   | 10.4135 | —    | 10.4198 |      |
| TABSMIN     | Absolute Min Period <sup>(2,3)</sup>           | 400MHz nominal/spread   | 2.4143  | —    | —       | ns   |
|             |  | 333.33MHz nominal/spread  | 2.9141  | —    | —       |      |
|             |  | 266.66MHz nominal/spread  | 3.6639  | —    | —       |      |
|             |  | 200MHz nominal/spread   | 4.9135  | —    | —       |      |
|             |  | 166.66MHz nominal/spread  | 5.9132  | —    | —       |      |
|             |  | 133.33MHz nominal/spread  | 7.4128  | —    | —       |      |
|             |  | 100MHz nominal/spread   | 9.912   | —    | —       |      |
|             |  | 96MHz nominal   | 10.1635 | —    | —       |      |
| tr          | Rise Time <sup>(2)</sup>                       | V <sub>OL</sub> = 0.175V, V <sub>OH</sub> = 0.525V                              | 175     | —    | 700     | ps   |
| tf          | Fall Time <sup>(2)</sup>                       | V <sub>OL</sub> = 0.175V, V <sub>OH</sub> = 0.525V                              | 175     | —    | 700     | ps   |
| d-tr        | Rise Time Variation <sup>(2)</sup>             |   | —       | —    | 125     | ps   |
| d-tf        | Fall Time Variation <sup>(2)</sup>             |   | —       | —    | 125     | ps   |
| dt3         | Duty Cycle <sup>(2)</sup>                      | Measurement from differential waveform  | 45      | —    | 55      | %    |
| tsk3        | Skew <sup>(2)</sup>                            | V <sub>T</sub> = 50%  | —       | —    | 100     | ps   |
| tcyc-cyc    | Jitter, Cycle to Cycle <sup>(2)</sup>          | Measurement from differential waveform  | —       | —    | 85      | ps   |

### NOTES:

- SRC clock outputs run only at 100MHz or 200MHz. Specs for 133.33 and 166.66 do not apply to SRC clock pair.
- This parameter is guaranteed by design, but not 100% production tested.
- All long term accuracy and clock period specifications are guaranteed with the assumption that the REF output is at 14.31818MHz.

## ELECTRICAL CHARACTERISTICS - PCICK / PCICK\_F

Following Conditions Apply Unless Otherwise Specified:

Operating Condition:  $T_A = 0^{\circ}\text{C}$  to  $+70^{\circ}\text{C}$ , Supply Voltage:  $V_{DD} = 3.3\text{V} \pm 5\%$ ;  $C_L = 10 - 30\text{pF}$

| Symbol   | Parameter                      | Test Conditions                | Min.   | Typ. | Max.    | Unit |
|----------|--------------------------------|--------------------------------|--------|------|---------|------|
| ppm      | Long Accuracy <sup>(1,2)</sup> | See Tperiod Min. - Max. values | —      | —    | 300     | ppm  |
| TPERIOD  | Clock Period <sup>(2)</sup>    | 33.33MHz output nominal        | 29.991 | —    | 30.009  | ns   |
|          |                                | 33.33MHz output spread         | 29.991 | —    | 30.1598 |      |
| VOH      | Output HIGH Voltage            | IOH = -1mA                     | 2.4    | —    | —       | V    |
| VOL      | Output LOW Voltage             | IOL = 1mA                      | —      | —    | 0.55    | V    |
| IOH      | Output HIGH Current            | VOH at Min. = 1V               | -33    | —    | —       | mA   |
|          |                                | VOH at Max. = 3.135V           | —      | —    | -33     |      |
| IOL      | Output LOW Current             | VOL at Min. = 1.95V            | 30     | —    | —       | mA   |
|          |                                | VOL at Max. = 0.4V             | —      | —    | 38      |      |
|          | Edge Rate <sup>(1)</sup>       | Rising edgerate                | 1      | —    | 4       | V/ns |
|          | Edge Rate <sup>(1)</sup>       | Falling edgerate               | 1      | —    | 4       | V/ns |
| tr1      | Rise Time <sup>(1)</sup>       | VOL = 0.4V, VOH = 2.4V         | 0.5    | —    | 2       | ns   |
| tf1      | Fall Time <sup>(1)</sup>       | VOL = 0.4V, VOH = 2.4V         | 0.5    | —    | 2       | ns   |
| dt1      | Duty Cycle <sup>(1)</sup>      | VT = 1.5V                      | 45     | —    | 55      | %    |
| tsk1     | Skew <sup>(1)</sup>            | VT = 1.5V                      | —      | —    | 500     | ps   |
| tcyc-cyc | Jitter <sup>(1)</sup>          | VT = 1.5V                      | —      | —    | 250     | ps   |

### NOTES:

1. This parameter is guaranteed by design, but not 100% production tested.
2. All long term accuracy and clock period specifications are guaranteed with the assumption that the REF output is at 14.31818MHz.

## ELECTRICAL CHARACTERISTICS, 48MHZ, USB

Following Conditions Apply Unless Otherwise Specified:

Operating Condition:  $T_A = 0^{\circ}\text{C}$  to  $+70^{\circ}\text{C}$ , Supply Voltage:  $V_{DD} = 3.3\text{V} \pm 5\%$ ;  $C_L = 10 - 20\text{pF}$

| Symbol  | Parameter                      | Test Conditions                | Min.    | Typ. | Max.   | Unit |
|---------|--------------------------------|--------------------------------|---------|------|--------|------|
| ppm     | Long Accuracy <sup>(1,2)</sup> | See Tperiod Min. - Max. values | —       | —    | 300    | ppm  |
| TPERIOD | Clock Period <sup>(2)</sup>    | 48MHz output nominal           | 20.8257 | —    | 20.834 | ns   |
| VOH     | Output HIGH Voltage            | IOH = -1mA                     | 2.4     | —    | —      | V    |
| VOL     | Output LOW Voltage             | IOL = 1mA                      | —       | —    | 0.55   | V    |
| IOH     | Output HIGH Current            | VOH at Min. = 1V               | -33     | —    | —      | mA   |
|         |                                | VOH at Max. = 3.135V           | —       | —    | -33    |      |
| IOL     | Output LOW Current             | VOL at Min. = 1.95V            | 30      | —    | —      | mA   |
|         |                                | VOL at Max. = 0.4V             | —       | —    | 38     |      |
|         | Edge Rate <sup>(1)</sup>       | Rising edgerate                | 1       | —    | 2      | V/ns |
|         | Edge Rate <sup>(1)</sup>       | Falling edgerate               | 1       | —    | 2      | V/ns |
| tr1     | Rise Time <sup>(1)</sup>       | VOL = 0.4V, VOH = 2.4V         | 1       | —    | 2      | ns   |
| tf1     | Fall Time <sup>(1)</sup>       | VOL = 0.4V, VOH = 2.4V         | 1       | —    | 2      | ns   |
| dt1     | Duty Cycle <sup>(1)</sup>      | VT = 1.5V                      | 45      | —    | 55     | %    |

### NOTES:

1. This parameter is guaranteed by design, but not 100% production tested.
2. All long term accuracy and clock period specifications are guaranteed with the assumption that the REF output is at 14.31818MHz.

## ELECTRICAL CHARACTERISTICS - REF-14.318MHZ

Following Conditions Apply Unless Otherwise Specified:

Operating Condition: TA = 0°C to +70°C, Supply Voltage: VDD = 3.3V ± 5%; CL = 10 - 20pF

| Symbol   | Parameter                          | Test Conditions                         | Min.   | Typ. | Max.   | Unit |
|----------|------------------------------------|---|--------|------|--------|------|
| ppm      | Long Accuracy <sup>(1)</sup>       | See Tperiod Min. - Max. values          | —      | —    | 300    | ppm  |
| TPERIOD  | Clock Period                       | 14.318MHz output nominal                | 69.827 | —    | 69.855 | ns   |
| VOH      | Output HIGH Voltage <sup>(1)</sup> | IOH = -1mA                              | 2.4    | —    | —      | V    |
| VOL      | Output LOW Voltage <sup>(1)</sup>  | IOL = 1mA                               | —      | —    | 0.4    | V    |
| IOH      | Output HIGH Current <sup>(1)</sup> | VOH at Min. = 1V, VOH at Max. = 3.135V  | -29    | —    | -23    | mA   |
| IOL      | Output LOW Current <sup>(1)</sup>  | VOL at Min. = 1.95V, VOL at Max. = 0.4V | 27     | —    | 29     | mA   |
| tr1      | Rise Time <sup>(1)</sup>           | VOL = 0.4V, VOH = 2.4V                  | 1      | —    | 2      | ns   |
| tf1      | Fall Time <sup>(1)</sup>           | VOL = 0.4V, VOH = 2.4V                  | 1      | —    | 2      | ns   |
| tsk1     | Skew <sup>(1)</sup>                | VT = 1.5V                               | —      | —    | 500    | ps   |
| dt1      | Duty Cycle <sup>(1)</sup>          | VT = 1.5V                               | 45     | —    | 55     | %    |
| bcyc-cyc | Jitter <sup>(1)</sup>              | VT = 1.5V                               | —      | —    | 1000   | ps   |

**NOTE:**

1. This parameter is guaranteed by design, but not 100% production tested.

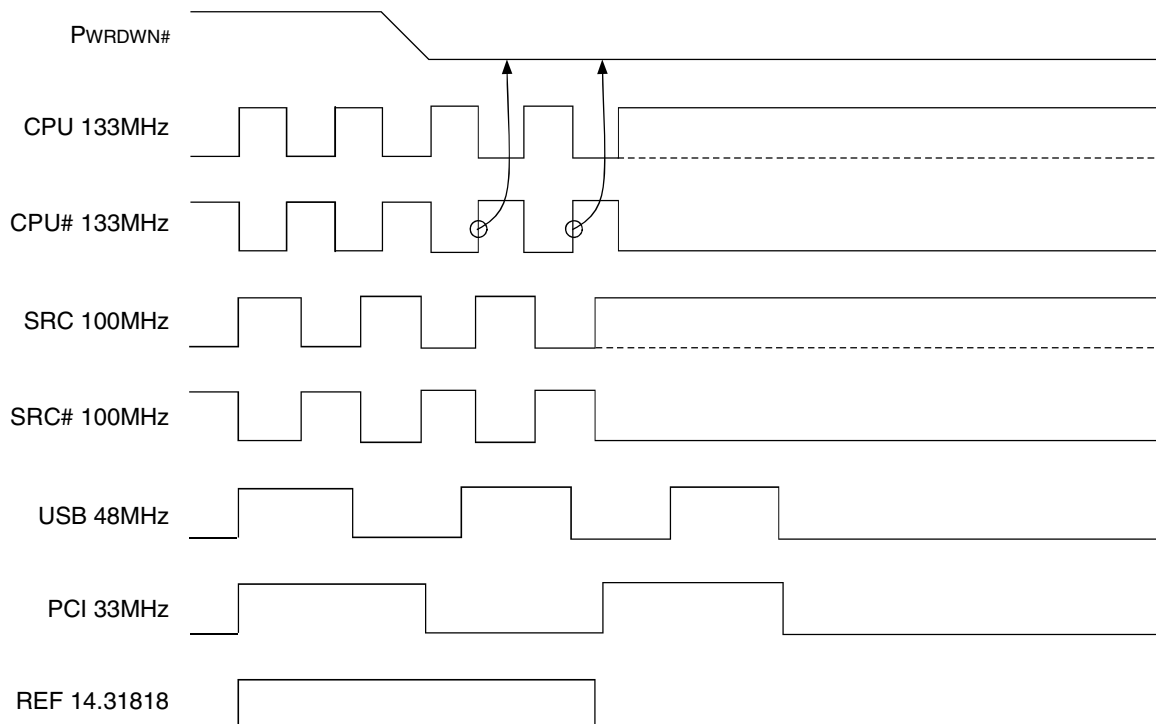
## PD#, POWER DOWN

PD# is an asynchronous active low input used to shut off all clocks cleanly prior to clock power. When PD# is asserted low all clocks will be driven low before turning off the VCO. In PD# de-assertion all clocks will start without glitches.

| PWRDWN# | CPU                           | CPU#   | SRC                           | SRC#   | PCIF/PCI | USB   | DOT96                         | DOT96# | REF       |
|---------|-------------------------------|--------|-------------------------------|--------|----------|-------|-------------------------------|--------|-----------|
| 1       | Normal                        | Normal | Normal                        | Normal | 33MHz    | 48MHz | Normal                        | Normal | 14.318MHz |
| 0       | I <sub>REF</sub> * 2 or float | Float  | I <sub>REF</sub> * 2 or float | Float  | Low      | Low   | I <sub>REF</sub> * 2 or float | Float  | Low       |

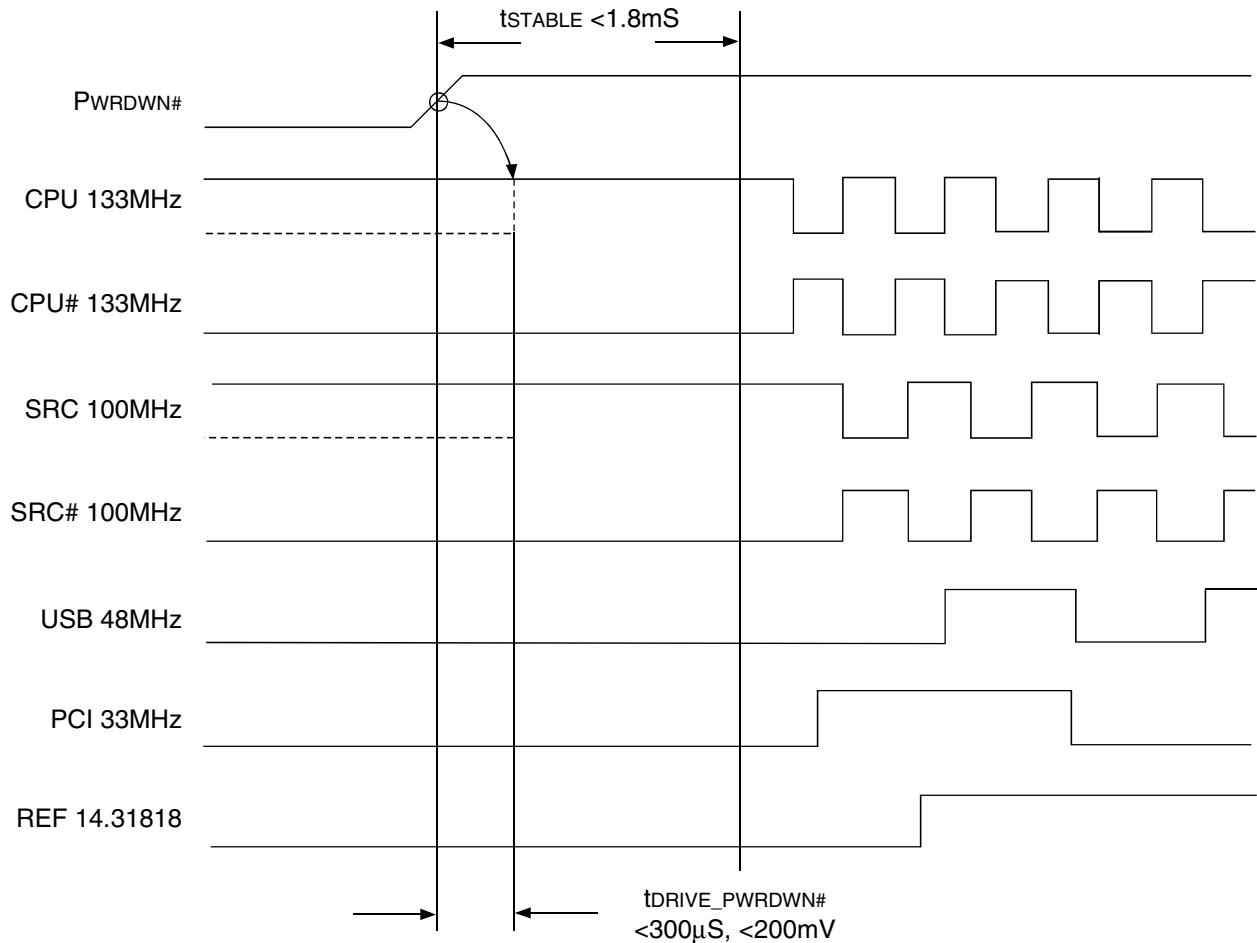
## PD# ASSERTION

PD# should be sampled low by two consecutive CPU# rising edges before stopping clocks. All single-ended clocks will be held low on their next high to low transition. All differential clocks will be held high on the next high to low transition of the complimentary clock. If the control register determining to drive mode is set to 'tri-state', the differential pair will be stopped in tri-state mode, undriven. When the drive mode but corresponding to the CPU or SRC clock of interest is set to '0' the true clock will be driven high at 2 x I<sub>REF</sub> and the complementary clock will be tristated. If the control register is programmed to '1' both clocks will be tristated.

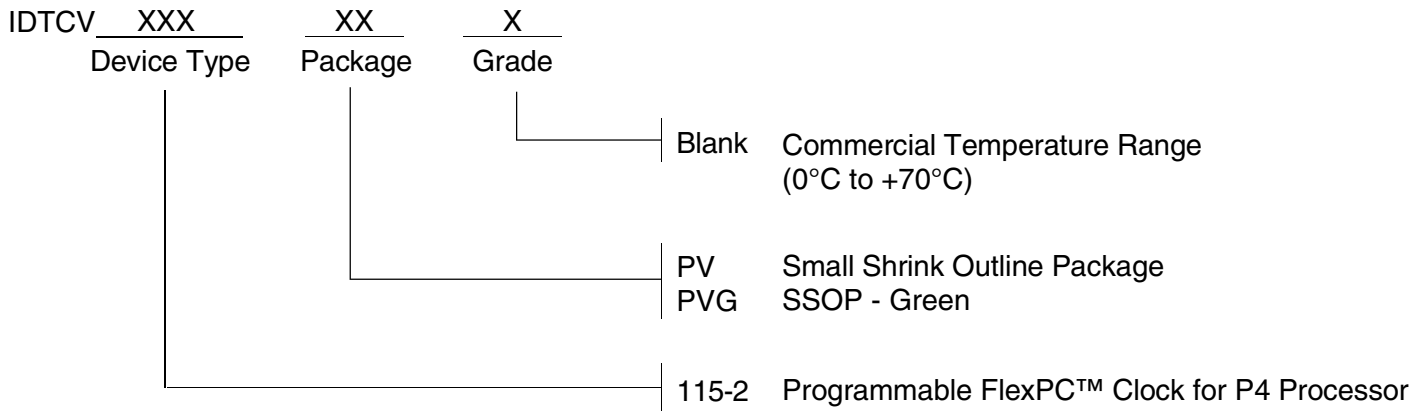


## PD# DE-ASSERTION

The time from the de-assertion of PD# or until power supply ramps to get stable clocks will be less than 1.8ms. If the drive mode control bit for PD# tristate is programmed to '1' the stopped differential pair must first be driven high to a minimum of 200mV in less than 300µs of PD# deassertion.



## ORDERING INFORMATION



**CORPORATE HEADQUARTERS**  
6024 Silver Creek Valley Road  
San Jose, CA 95138

**for SALES:**  
800-345-7015 or 408-284-8200  
fax: 408-284-2775  
www.idt.com

**for Tech Support:**  
logichelp@idt.com

## Looking for pricing, stock, or lifecycle information?

Click below to explore more details on WIN SOURCE:

- ⊖ [View IDTCV115-2PVG on WIN SOURCE](#)
- ⊖ [IDT, Integrated Device Technology Inc Information](#)

## Optimize Your Supply Chain with WIN SOURCE Solutions

- ✓ Global Sourcing Solution
- ✓ Obsolete Management
- ✓ Cost Control Management
- ✓ Shortage Management
- ✓ Alternative Solution
- ✓ Excess Inventory Management