



**THE DATASHEET OF  
TL4100AF120QG**

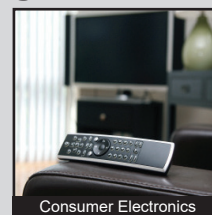
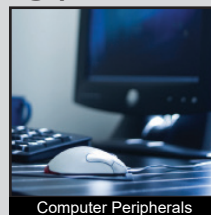
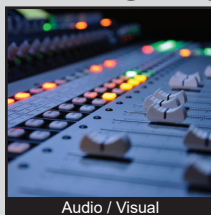


# TL4100 SERIES TACT SWITCH

ANTI-VANDAL SWITCHES  
 DETECTOR SWITCHES  
 DIP SWITCHES  
 KEYLOCK SWITCHES  
 NAVIGATION SWITCHES  
 PUSHBUTTON SWITCHES  
 ROCKER SWITCHES  
 ROTARY SWITCHES  
 SLIDE SWITCHES  
 SNAP ACTION SWITCHES  
**TACTILE SWITCHES**  
 TOGGLE SWITCHES  
 CAP OPTIONS



## APPLICATIONS / MARKETS



**RoHS**

## SPECIFICATIONS

**Electrical Rating:** 50mA, 12VDC  
**Life Expectancy:** up to 1,000,000 Cycles  
**Contact Resistance:** 100mΩ Max.  
**Insulation Resistance:** 100MΩ Min. at 500VDC  
**Dielectric Strength:** 250VAC for 1 Minute  
**Operating Temperature:** -40°C to 85°C  
**Operating Force:** 120gf (1,000,000 cycles)  
 160gf (dependent on termination type)  
 240gf (500,000 cycles)  
**Travel:** 0.15mm  
**Function:** SPST, Off-(On), Momentary

## FEATURES & BENEFITS

- Up to 1,000,000 cycle life expectancy
- Right angle edge mounted design
- Multiple force options
- Gullwing, and L-shape terminals option

## PART NUMBER CONFIGURATOR

Series	Circuit	Actuator	Force	Plating	Termination
TL	4100	A - 2.00	F120 - 120 gf F160 - 160 gf F240 - 240 gf	Q - Silver	G - Gullwing L - Gullwing with L-shape terminals

*Specifications subject to change without notice 6.1.2025*



**E-SWITCH®**

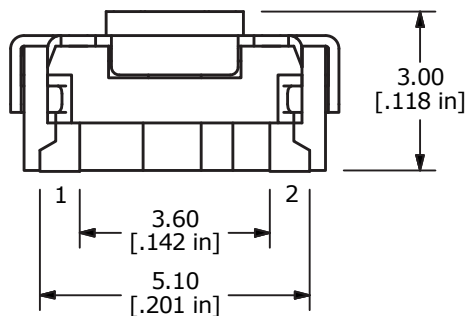
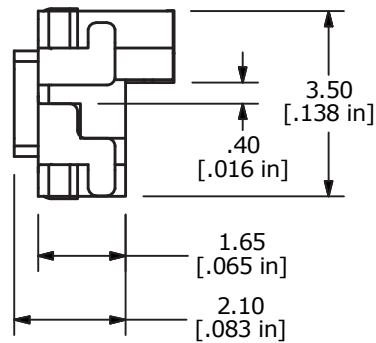
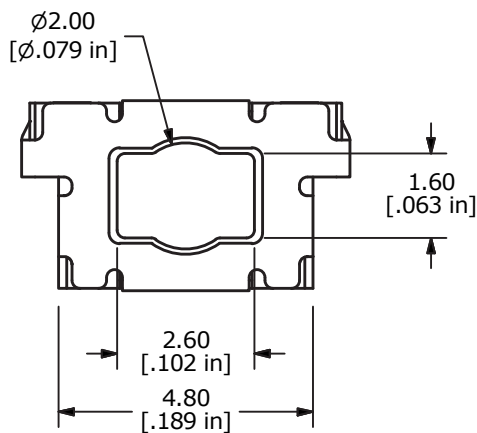
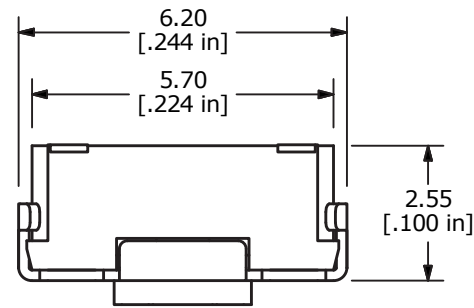
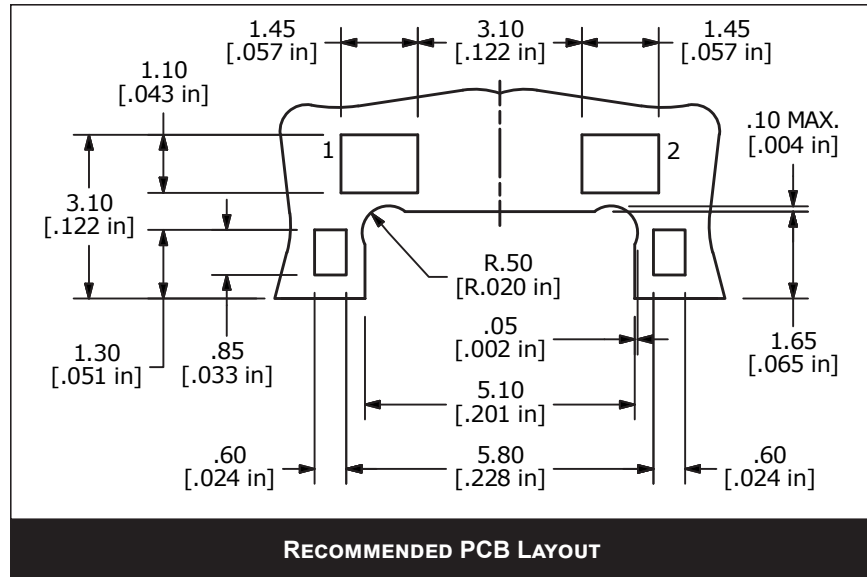
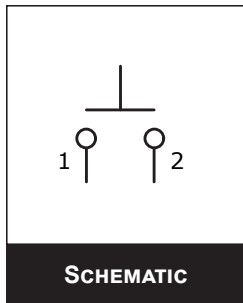
www.e-switch.com

800.867.2717

1

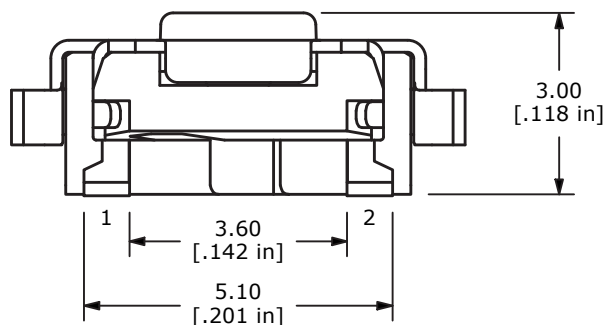
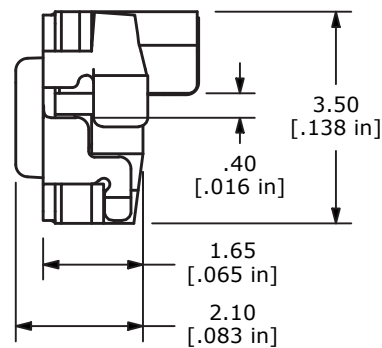
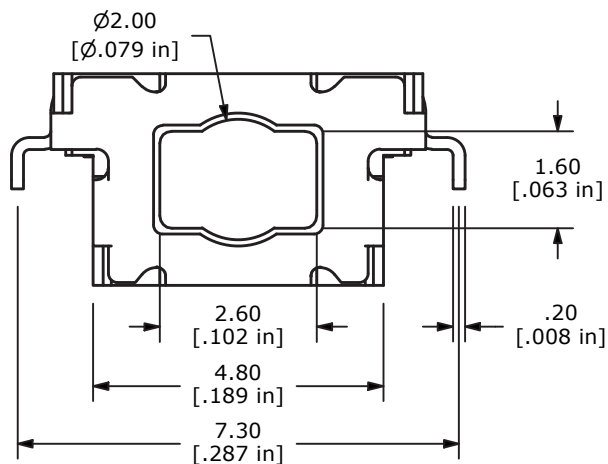
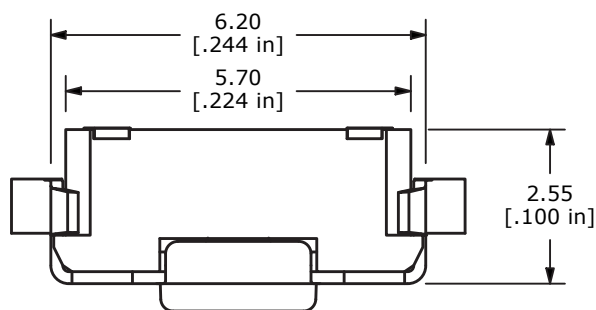
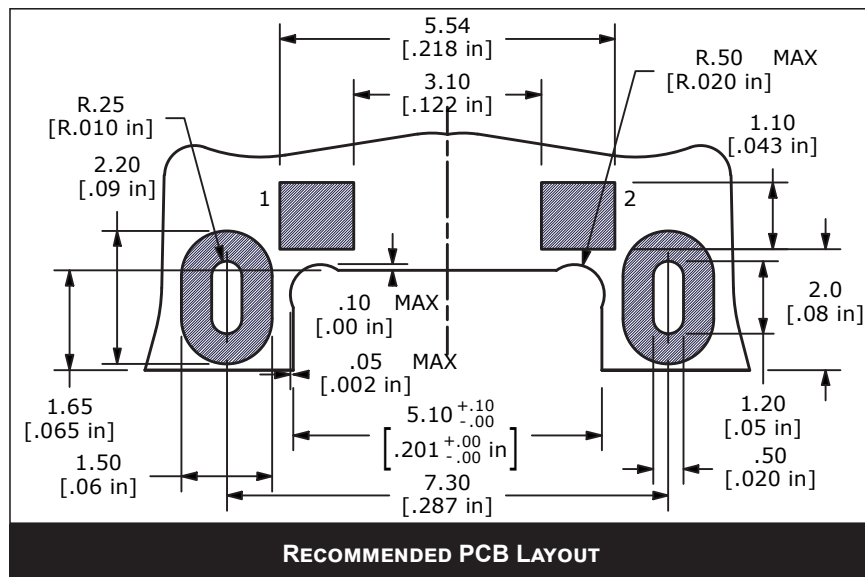
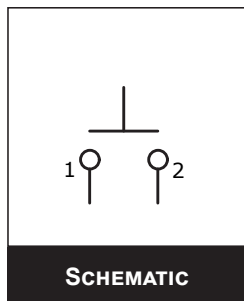
# TL4100 SERIES TACT SWITCH

## BODY DIMENSIONS GULLWING (G)



# TL4100 SERIES TACT SWITCH

## BODY DIMENSIONS GULLWING WITH L-SHAPE TERMINALS (L)



ANTI-VANDAL SWITCHES  
DETECTOR SWITCHES  
DIP SWITCHES  
KEYLOCK SWITCHES  
NAVIGATION SWITCHES  
PUSHBUTTON SWITCHES  
ROCKER SWITCHES  
ROTARY SWITCHES  
SLIDE SWITCHES  
SNAP ACTION SWITCHES  
TACTILE SWITCHES  
TOGGLE SWITCHES  
CAP OPTIONS

## Looking for pricing, stock, or lifecycle information?

Click below to explore more details on WIN SOURCE:

 [View TL4100AF120QG on WIN SOURCE](#)

 [E-SWITCH](#) Information

## Optimize Your Supply Chain with WIN SOURCE Solutions

-  Global Sourcing Solution
-  Obsolete Management
-  Cost Control Management
-  Shortage Management
-  Alternative Solution
-  Excess Inventory Management