

Product Specification

NHD-12232KZ-NSW-BBW-P

Graphic Liquid Crystal Display Module

NHD-	Newhaven Display
12232-	122 x 32 Pixels
KZ-	Model
N-	Transmissive
SW-	Side White LED Backlight
B-	STN (-) Blue
B-	6:00 Optimal View
W-	Wide Temperature
P-	2x10 Pin Header Soldered

Table of Contents

Document Revision History.....	2
Mechanical Drawing	3
Pin Description	4
Wiring Diagram	4
Electrical Characteristics	5
Optical Characteristics	5
Controller Information.....	5
Timing Characteristics.....	6
Table of Commands	8
Example Initialization Program:	9
Quality Information	11

Additional Resources

- **Support Forum:** <https://support.newhavendisplay.com/hc/en-us/community/topics>
- **GitHub:** <https://github.com/newhavendisplay>
- **Example Code:** <https://support.newhavendisplay.com/hc/en-us/categories/4409527834135-Example-Code/>
- **Knowledge Center:** https://www.newhavendisplay.com/knowledge_center.html
- **Quality Center:** https://www.newhavendisplay.com/quality_center.html
- **Precautions for using LCDs/LCMs:** <https://www.newhavendisplay.com/specs/precautions.pdf>
- **Warranty / Terms & Conditions:** <https://www.newhavendisplay.com/terms.html>



Document Revision History

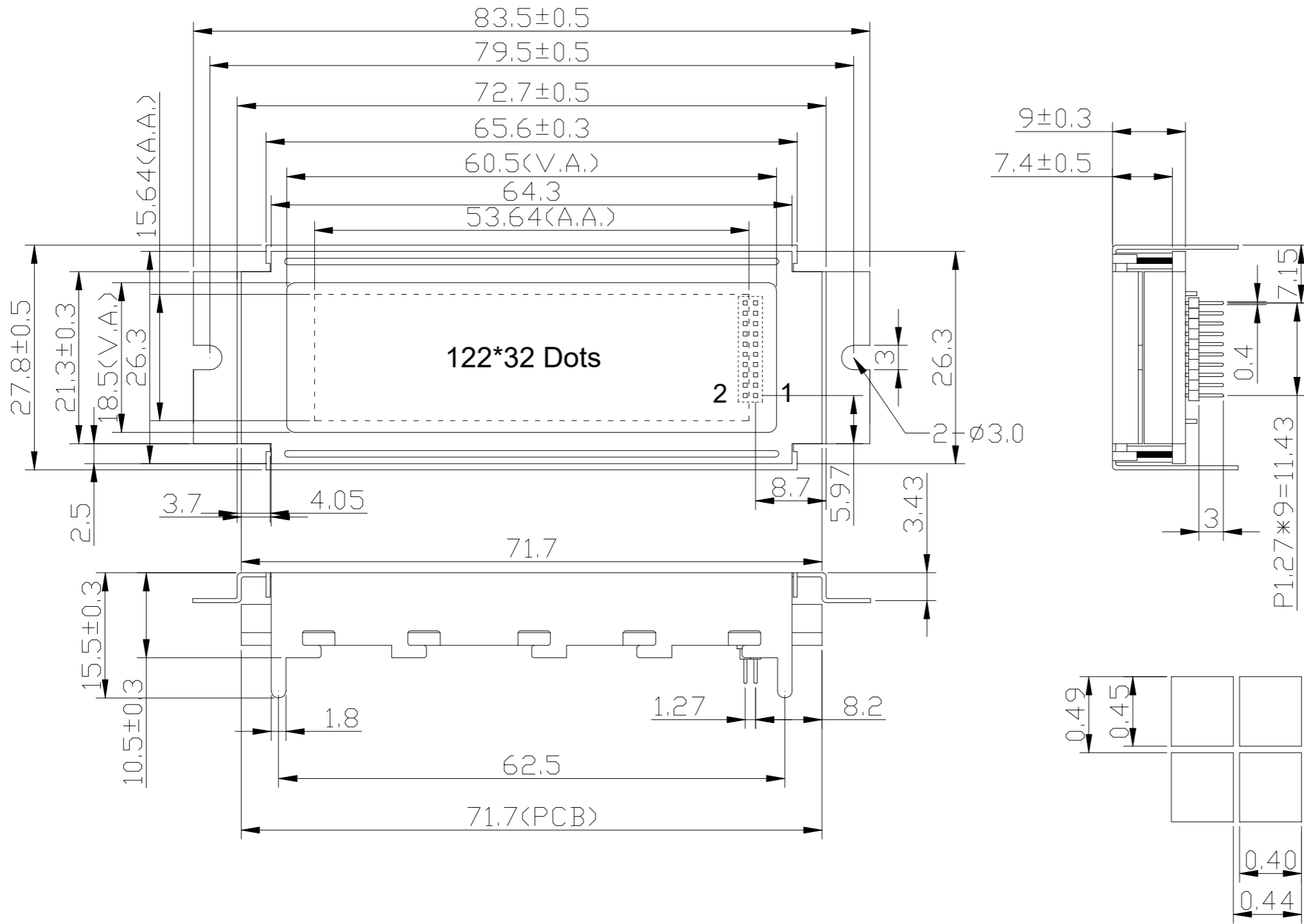
Revision	Date	Description	Changed By
0	06/07/2007	Initial Release	-
1	09/25/2009	User Guide Reformat	BE
2	03/15/2010	Pin Description, Electrical, Optical, Drawing Updated	BE
3	05/10/2010	Initialization Updated	BE
4	03/16/2015	Pin Description & Example Code Updated	RM
5	12/02/2016	Mechanical Drawing, Electrical & Optical Char. Updated	SB
6	05/10/2017	Mechanical & Electrical Characteristics Updated	SB
7	09/01/2017	Backlight Characteristics Updated	SB
8	06/20/2018	Backlight Supply Current Updated	SB
9	11/15/2023	Updated Mechanical Drawing and Maximum Supply Current	KL

Mechanical Drawing

Newhaven Display

NHD-12232KZ-NSW-BBW-P
Date Code

Part Label (type/format may vary)




PIN ASSIGNMENT

1	A0
2	CS2
3	CS1
4	CL
5	/RD
6	/WR
7	VSS
8	DB0
9	DB1
10	DB2
11	DB3
12	DB4
13	DB5
14	DB6
15	DB7
16	VDD
17	/RES
18	V0
19	LED+
20	LED-

Product Description: 122x32 Graphic LCD

1. Driver IC: SBN1661G
2. Driving Mode: 1/32 Duty, 1/6 Bias
3. Interface: 8-bit 6800/8080 Parallel
4. Power Requirement: 5.0V LCD
5. Optical Features: STN (-) Blue, Transmissive, 6:00 View, White Backlight
6. 2x10 Pin Header Soldered

Standard Tolerance: (Unless otherwise specified) Linear: ±0.3mm		
	Drawing/Part Number: NHD-12232KZ-NSW-BBW-P	Revision: -
Unless otherwise specified: • Dimensions are in Millimeters • Third Angle Projection	Drawn By: K. Lewis	Approved By: K. Lewis
	Drawn Date: 11/15/2023	Approved Date: 11/15/2023
This drawing is solely the property of Newhaven Display International, Inc. The information it contains is not to be disclosed, reproduced or copied in whole or part without written approval from Newhaven Display.		

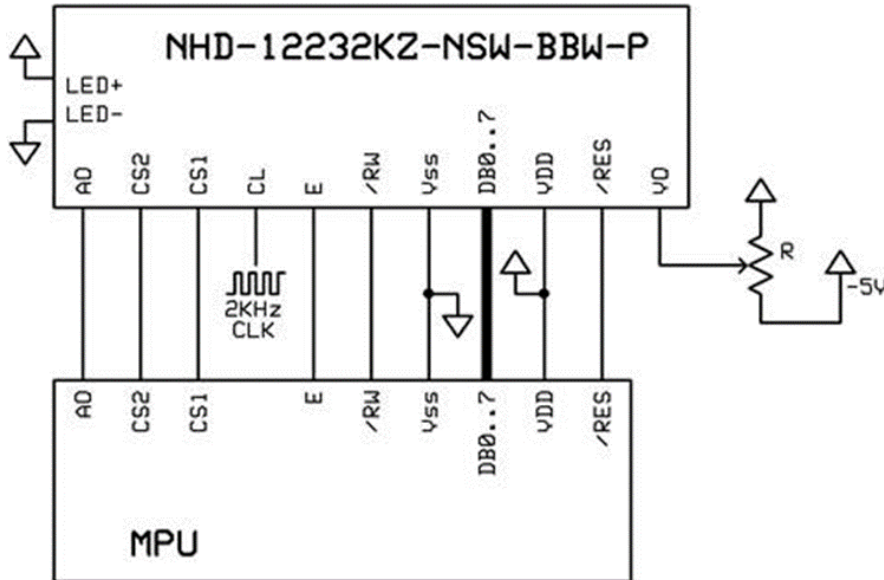
Pin Description

Pin No.	Symbol	External Connection	Function Description
1	A0	MPU	Register Select. 0: instruction; 1: data
2	/CS2	MPU	Active LOW Chip Select Signal for LEFT half of LCD
3	/CS1	MPU	Active LOW Chip Select Signal for RIGHT half of LCD
4	CL	-	Clock signal; Requires 2KHz external clock.
5	E /RD	MPU	6800 Mode: Active HIGH Enable Signal 8080 Mode: Active LOW Read Signal
6	R/W /WR	MPU	6800 Mode: Read/Write select signal. R/W=1: Read R/W: =0: Write 8080 Mode: Active LOW Write Signal
7	V _{SS}	Power Supply	Ground
8-15	DB0-DB7	MPU	This is an 8-bit Bi-directional data bus
16	V _{DD}	Power Supply	Supply Voltage for logic (+5.0V)
17	RESET/IF	MPU	Hardware RESET (edge-sensitive) and interface type selection: Positive Reset: 8080 mode Negative Reset: 6800 mode
18	V ₀	Adj. Power Supply	Supply Voltage for contrast; requires external negative voltage (~1.5V)
19	LED+	Power Supply	Backlight Anode (+5.0V via on-board resistor)
20	LED-	Power Supply	Backlight Cathode (Ground)

Recommended LCD connector: 1.27mm pitch pins

Backlight connector: - **Mates with:** -

Wiring Diagram



Electrical Characteristics

Item	Symbol	Condition	Min.	Typ.	Max.	Unit
Operating Temperature Range	T _{OP}	Absolute Max	-20	-	+70	°C
Storage Temperature Range	T _{ST}	Absolute Max	-30	-	+80	°C
Supply Voltage	V _{DD}	-	4.8	5.0	5.2	V
Supply Current	I _{DD}	V _{DD} = 5.0V	1.0	2.0	2.5	mA
Supply for LCD (Contrast)	V _{LCD}	T _{OP} = 25°C	6.3	6.5	6.7	V
"H" Level input	V _{IH}	-	2.7	-	V _{DD}	V
"L" Level input	V _{IL}	-	V _{SS}	-	1.2	V
"H" Level output	V _{OH}	-	V _{DD} - 0.3	-	V _{DD}	V
"L" Level output	V _{OL}	-	V _{SS}	-	0.3	V
Backlight Supply Voltage	V _{LED}	-	4.8	5.0	5.2	V
Backlight Supply Current	I _{LED}	V _{LED} = 5.0V	50	60	80	mA

Optical Characteristics

Item	Symbol	Condition	Min.	Typ.	Max.	Unit
Optimal Viewing Angles	Top	CR ≥ 2	-	40	-	°
	Bottom		-	60	-	°
	Left		-	45	-	°
	Right		-	45	-	°
Contrast Ratio	CR	-	2	5	-	-
Response Time	Rise	T _{OP} = 25°C	-	150	250	ms
	Fall		-	200	300	ms

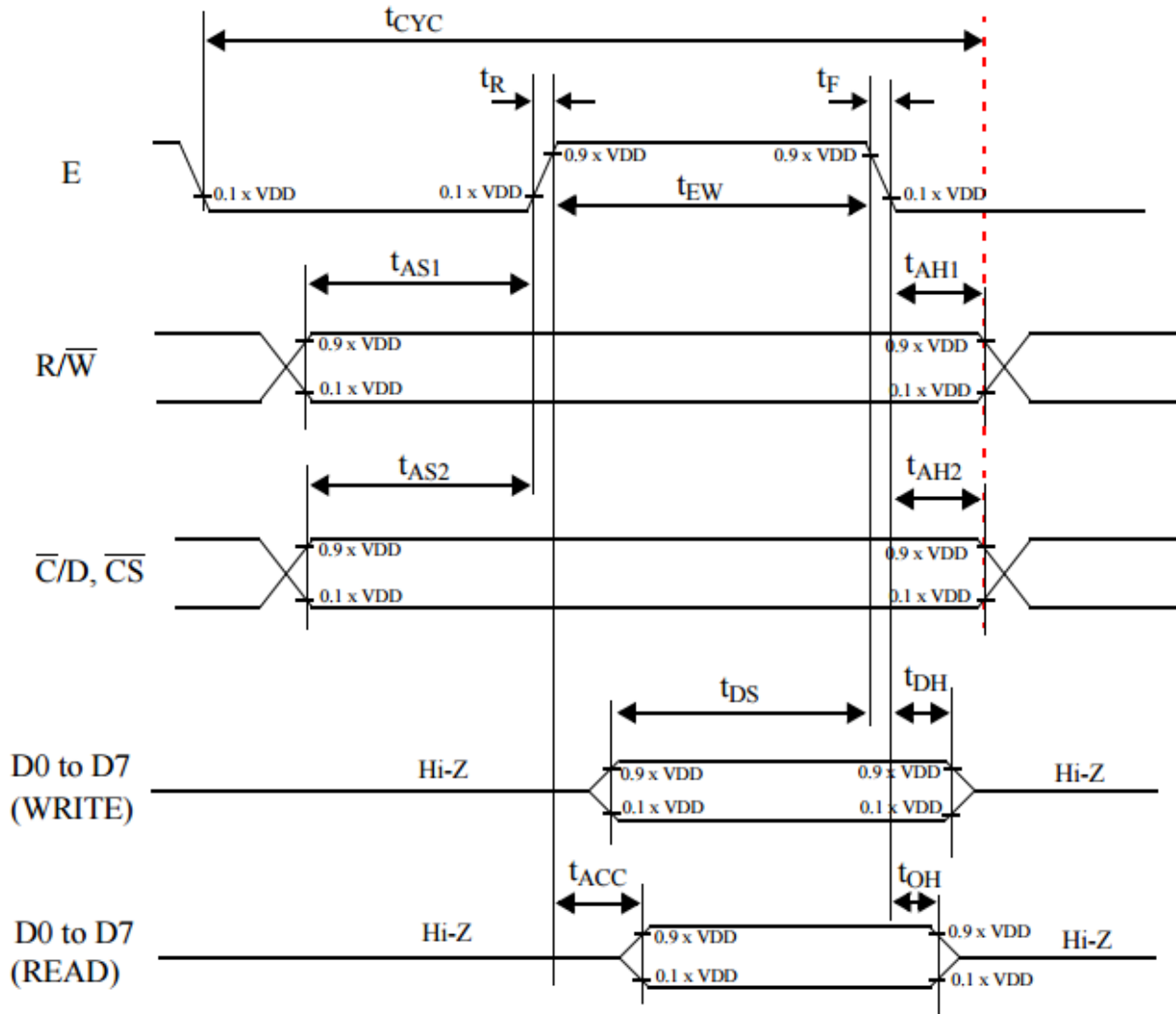
Controller Information

Built-in SBN1661G Controller: <https://support.newhavendisplay.com/hc/en-us/articles/4414858548887-SBN1661G>



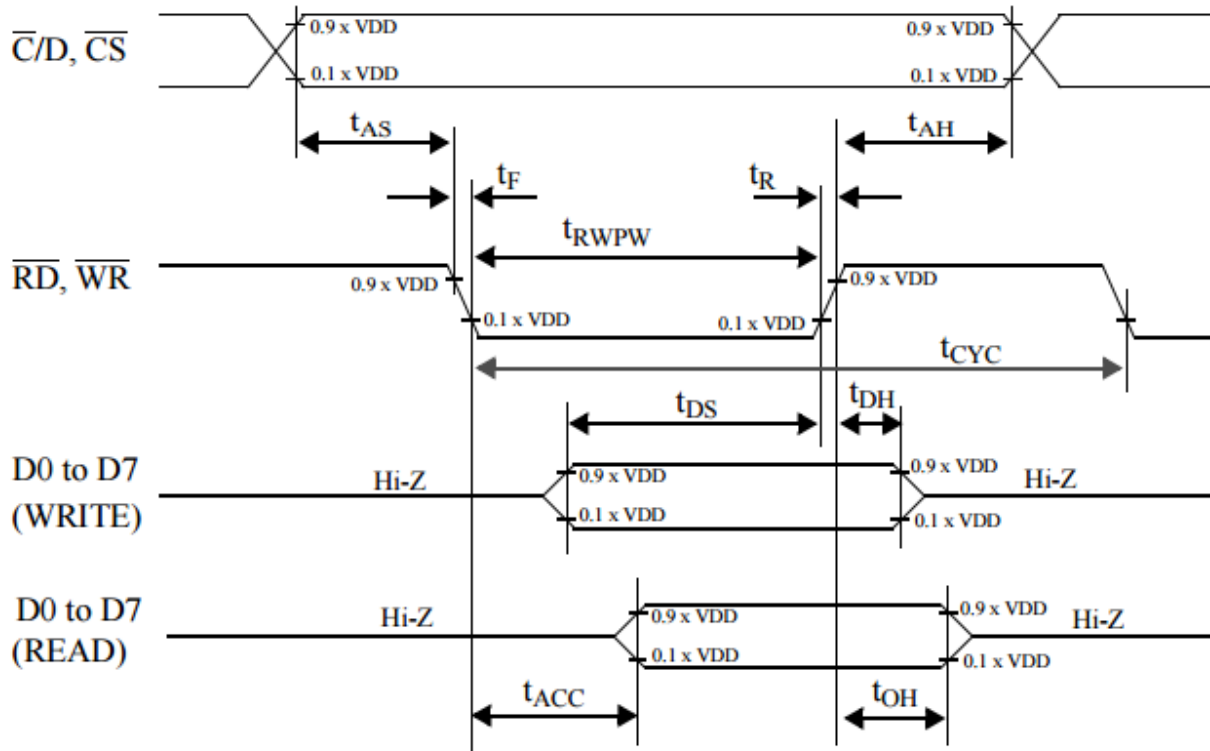
Timing Characteristics

AC timing for interface with a 68-type microcontroller



symbol	parameter	min.	max.	test conditons	unit
t_{AS1}	Address set-up time with respect to R/\overline{W}	20			ns
t_{AS2}	Address set-up time with respect to $\overline{C/D}, \overline{CS}$	20			ns
t_{AH1}	Address hold time with respect to R/\overline{W}	10			ns
t_{AH2}	Address hold time respect with to $\overline{C/D}, \overline{CS}$	10			ns
t_F, t_R	Enable (E) pulse falling/rising time		15		ns
t_{CYC}	System cycle time	1000		Note 1	ns
t_{EWR}	Enable pulse width for READ	100			ns
t_{EWW}	Enable pulse width for WRITE	80			ns
t_{DS}	Data setup time	80			ns
t_{DH}	Data hold time	10			ns
t_{ACC}	Data access time		90	CL= 100 pF.	ns
t_{OH}	Data output hold time	10	60	Refer to Fig. 23.	ns

AC timing for interface with an 80-type microcontroller



symbol	parameter	min.	max.	test conditons	unit
t_{AS}	Address set-up time	20			ns
t_{AH}	Address hold time	10			ns
t_F, t_R	Read/Write pulse falling/rising time		15		ns
t_{RWPW}	Read/Write pulse width	200			ns
t_{CYC}	System cycle time	1000			ns
t_{DS}	Data setup time	80			ns
t_{DH}	Data hold time	10			ns
t_{ACC}	Data READ access time		90	CL= 100 pF.	ns
t_{OH}	Data READ output hold time	10	60	Refer to Fig. 23.	ns

Table of Commands

COMMAND	COMMAND CODE								FUNCTION
	D7	D6	D5	D4	D3	D2	D1	D0	
Write Display Data	Data to be written into the Display Data Memory.								Write a byte of data to the Display Data Memory.
Read Display Data	Data read from the Display Data Memory.								Read a byte of data from the Display Data Memory.
Read-Modify-Write	1	1	1	0	0	0	0	0	Start Read-Modify-Write operation.
END	1	1	1	0	1	1	1	0	Stop Read-Modify-Write operation.
Software Reset	1	1	1	0	0	0	1	0	Software Reset.

Example Initialization Program:

```
/******  
void Comleft(char i)  
{  
  CS2 = 0;  
  P1 = i;  
  R_W = 0;  
  D_I = 0;  
  E = 1;  
  delay(2);  
  E = 0;  
  CS2 = 1;  
}  
  
void Comright(char i)  
{  
  CS1 = 0;  
  P1 = i;  
  R_W = 0;  
  D_I = 0;  
  E = 1;  
  delay(2);  
  E = 0;  
  CS1 = 1;  
}  
  
void Writeleft(char i)  
{  
  CS2 = 0;  
  P1 = i;  
  R_W = 0;  
  D_I = 1;  
  E = 1;  
  delay(2);  
  E = 0;  
  CS2 = 1;  
}  
  
void Writeright(char i)  
{  
  CS1 = 0;  
  P1 = i;  
  R_W = 0;  
  D_I = 1;  
  E = 1;  
  delay(2);  
  E = 0;  
  CS1 = 1;  
}  
/******  
void bothSides(char i)  
{  
  Comleft(i);  
  Comright(i);
```

```
}  
/*****/  
  
void init()  
{  
  P1 = 0;  
  P3 = 0;  
  RST = 0; //      Reset RST  
  delay(1);  
  RST = 1; //      Reset RST= M68 Interface  
  delay(10);  
  D_I = 0;  
  E = 1;  
  CS1 = 0;  
  CS2 = 0;  
  R_W = 1;  
  
  bothSides(0xE2);  
  delay(10);  
  bothSides(0xA4);  
  bothSides(0xA9);  
  bothSides(0xA0);  
  bothSides(0xEE);  
  bothSides(0xC0);  
  bothSides(0xAF);  
}  
/*****/
```

Quality Information

Test Item	Content of Test	Test Condition	Note
High Temperature storage	Endurance test applying the high storage temperature for a long time.	+80°C , 200hrs	2
Low Temperature storage	Endurance test applying the low storage temperature for a long time.	-30°C , 200hrs	1,2
High Temperature Operation	Endurance test applying the electric stress (voltage & current) and the high thermal stress for a long time.	+70°C 200hrs	2
Low Temperature Operation	Endurance test applying the electric stress (voltage & current) and the low thermal stress for a long time.	-20°C , 200hrs	1,2
High Temperature / Humidity Operation	Endurance test applying the electric stress (voltage & current) and the high thermal with high humidity stress for a long time.	+60°C , 90% RH , 96hrs	1,2
Thermal Shock resistance	Endurance test applying the electric stress (voltage & current) during a cycle of low and high thermal stress.	-20°C,30min -> 25°C,5min -> 70°C,30min = 1 cycle 10 cycles	
Vibration test	Endurance test applying vibration to simulate transportation and use.	10-55Hz , 15mm amplitude. 60 sec in each of 3 directions X,Y,Z For 15 minutes	3
Static electricity test	Endurance test applying electric static discharge.	VS=800V, RS=1.5kΩ, CS=100pF One time	

Note 1: No condensation to be observed.

Note 2: Conducted after 4 hours of storage at 25°C, 0%RH.

Note 3: Test performed on product itself, not inside a container.

Looking for pricing, stock, or lifecycle information?

Click below to explore more details on WIN SOURCE:

- [View NHD-12232KZ-NSW-BBW-P on WIN SOURCE](#)
- [Newhaven Information](#)

Optimize Your Supply Chain with WIN SOURCE Solutions

- ✓ Global Sourcing Solution
- ✓ Obsolete Management
- ✓ Cost Control Management
- ✓ Shortage Management
- ✓ Alternative Solution
- ✓ Excess Inventory Management