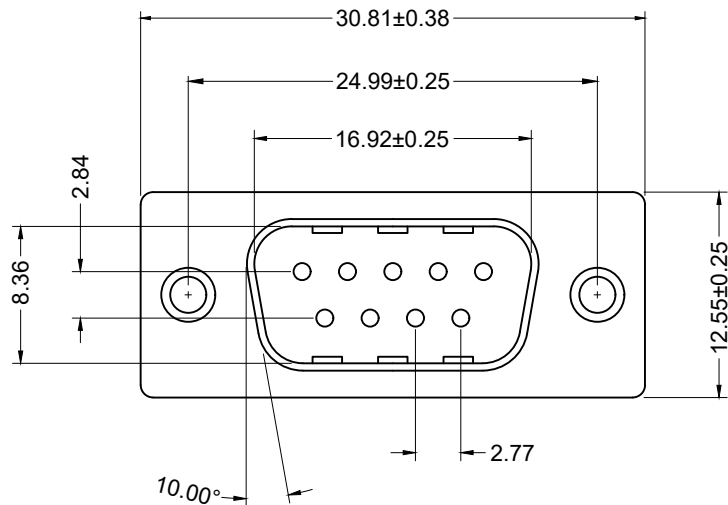


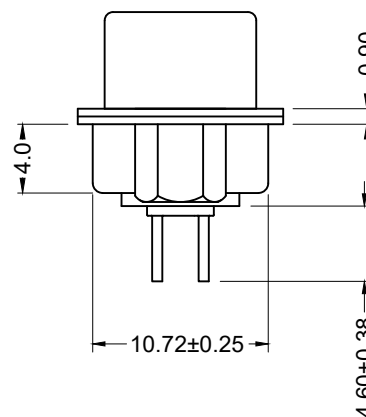
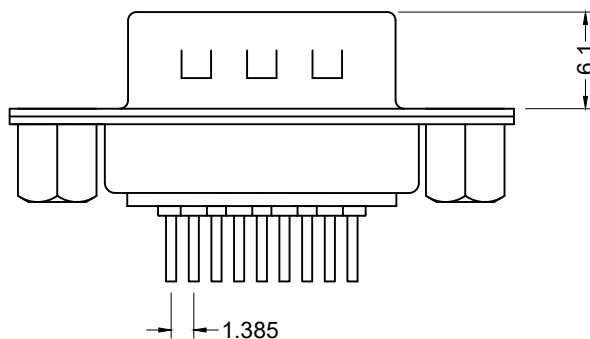
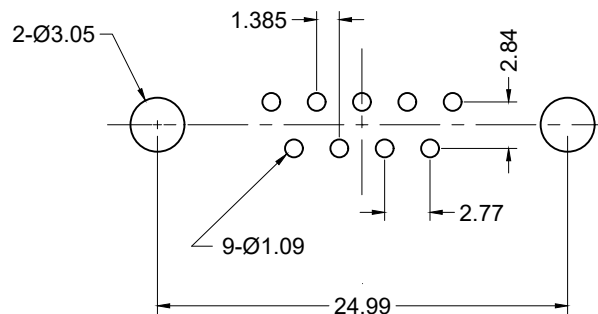


**THE DATASHEET OF  
K85X-ED-9P-K**





Recommended PCB Layout (Top View)



Ordering Information

Part Number	Contact Area Plating Finish
K85X-ED-9P-K	Gold Flash (standard)
K85X-ED-9P-K15	15u" Gold (15 option)
K85X-ED-9P-K30	30u" Gold (30 option)

Material and Finish

Shell: steel, Nickel plated  
 Insulator: PBT with glass-fiber reinforcement, UL 94V-0 rated, color-black

Contact Material:

Plug: Brass

Contact Plating:

Standard:

Gold flash on mating end, tin on termination end, with entire contact nickel underplated

-15 Option:

15u" gold on mating end, tin on termination end, with entire contact nickel underplated

-30 Option:

30u" gold on mating end, tin on termination end, with entire contact nickel underplated

Electrical Specifications

Rated Current: 2A

Rated Voltage: 30V RMS

Withstanding Voltage:

500V (rms) AC for 1 minute

Insulation Resistance:

more than 1000 Megohm at 500V DC

Contact Resistance:

13 milliohm max.

Dielectric Strength:

1000V for 1 minute

Operating Temperature:

-55°C to +105°C

Tolerances

X.X ± 0.25  
 X.XX ± 0.15  
 Unless Stated Otherwise

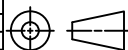


REV.	DATE	DESCRIPTION	REV. BY	CHK. BY	DRAWN BY	DATE
A1	11/04/05	New Drawing	R. Aguirre	H. MA	R. Aguirre	11/04/05
A2	1/9/08	ECO #07-052	WILL H.	H. MA		
A3	12/31/17	ECO #17-030	G. Serrato	C. Furumasu		
A4	09/26/25	ECO #25-061	K.Wang	C.Kelleher		

K85X-ED-9P-K

Vertical PCB Mount D-Sub, RoHS Compliant

9 pin male, threaded bushing



UNITS  
mm

## Looking for pricing, stock, or lifecycle information?

Click below to explore more details on WIN SOURCE:

 [View K85X-ED-9P-K on WIN SOURCE](#)

 [Kycon, Inc. Information](#)

## Optimize Your Supply Chain with WIN SOURCE Solutions

-  Global Sourcing Solution
-  Obsolete Management
-  Cost Control Management
-  Shortage Management
-  Alternative Solution
-  Excess Inventory Management