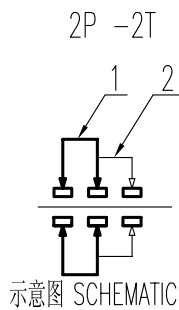
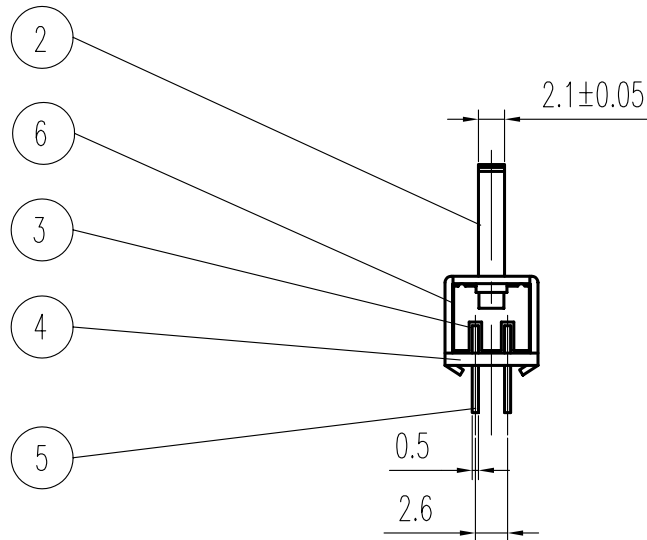
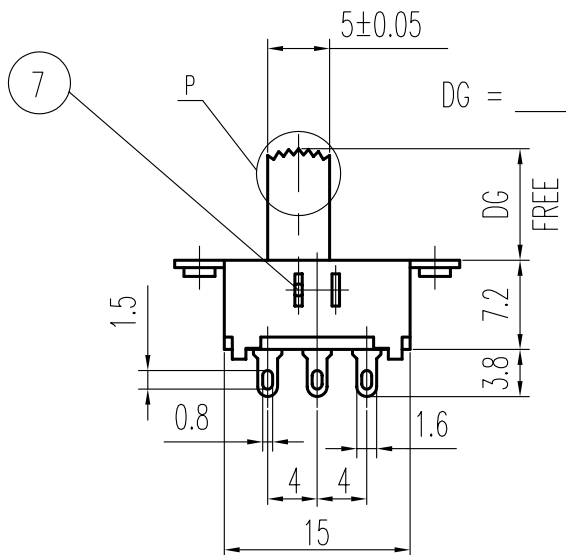
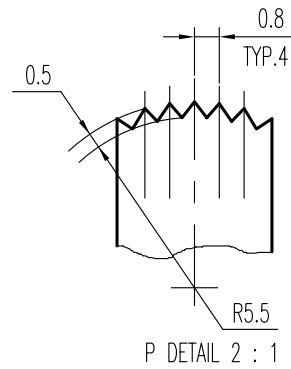
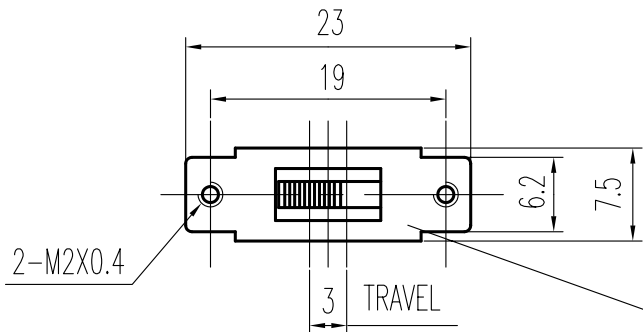




**THE DATASHEET OF
SS-22F02-DG 6 (L)**





④规格 Specifications

额定负荷 Ratings	DC 30 V 0.3 A
初期接触电阻 Initial Contact Resistance	30 mΩ Max.
绝缘电阻 Insulation Resistance	DC 500 V 60 Sec. 100 MΩ Min.
抗电强度 Dielectric	AC 500 V (50~60HZ) 60 Sec.
操作力 Operating Force (gf)	A=B
	200±100
负载寿命 Operating Life With Load	(L) 150±50
	10,000 次 Cycles

序NO.	零件 PART	材料 MATERIAL	数量 QTY	备注 REMARKS
7	钢珠 STEEL BALL	STEEL	2	NATURAL
6	弹簧 SPRING	STEEL	1	NATURAL
5	端子 TERMINAL	C2680R ④	6	Ag PLATED
4	基板 TERMINAL BASE	PHENOL RESIN	1	BLACK
3	接触片 CONTACT	C5210R	2	Ag CLAD
2	胶柄 KNOB	P O M	1	DG 3, 6, 7
1	铁壳 FRAME	S P C C	1	BLACKENED Ni PLATED

标号 REV	内容 DESCRIPTION	签名 SIGN.	日期 DATE
A01	ADD: 规格 Specifications 见 ④ C2680R-EH —— C2680R 见 ④	王光云	06-04-12
03	见 ④	易金平	11 SEP 03

TOLERANCES UNLESS OTHERWISE SPEC.		TITLE		SLIDE SWITCH		ITEM NO		SS-22F02-DG	
UNDER 1	± 0.10	DRAWN	王光云	06-04-12	VERSION	A01	PAGE	1	OF 1
1 - 10	± 0.30	REVIEWED	张念明	06-04-12	SCALE		UNIT	mm	
OVER 10	± 0.50	APPROVED	林高全	06-04-12	PROJECTION				

COMAX ELECTRONICS (HUIZHOU) CO.,LTD.

Looking for pricing, stock, or lifecycle information?

Click below to explore more details on WIN SOURCE:

- ⊖ [View SS-22F02-DG 6 \(L\) on WIN SOURCE](#)
- ⊖ [C&K Components Information](#)

Optimize Your Supply Chain with WIN SOURCE Solutions

- ✓ Global Sourcing Solution
- ✓ Obsolete Management
- ✓ Cost Control Management
- ✓ Shortage Management
- ✓ Alternative Solution
- ✓ Excess Inventory Management