



**THE DATASHEET OF  
FCLF8521P2BTL**



## Product Specification

---

### 1000BASE-T RoHS Compliant Copper SFP Transceiver

---

#### FCLF8520P2ByL / FCLF8521P2ByL / FCLF8522P2ByL

#### Product Features

- Up to 1.25Gb/s bi-directional data links
- Hot-pluggable SFP footprint
- Industry case temperature range (-40°C to +85°C )  
Or Commercial case temperature range(0°C to +70°C )
- Fully metallic enclosure for low EMI
- RoHS compliant and Lead Free
- Low power dissipation (1.05 W typical)
- Compact RJ-45 connector assembly
- Access to physical layer IC via 2-wire serial bus
- 10/100/1000 BASE-T operation in host systems with SGMII interface



#### Applications

- 1.25 Gigabit Ethernet over Cat 5 cable

Finisar’s FCLF8520P2ByL, FCLF8521P2ByL and FCLF8522P2ByL 1000BASE-T Copper Small Form Pluggable (SFP) transceivers are based on the SFP Multi Source Agreement (MSA)<sup>1</sup>. They are compatible with the Gigabit Ethernet and 1000BASE-T standards as specified in IEEE Std 802.3<sup>2</sup>. The transceiver is RoHS compliant and per Directive 2011/65/EU<sup>3</sup> and Finisar Application Note AN-2038. The 1000BASE-T physical layer IC (PHY) can be accessed via I2C, allowing access to all PHY settings and features.

The FCLF8520P2ByL uses the SFP’s RX\_LOS pin for link indication, and 1000BASE-X auto-negotiation should be disabled on the host system. The FCLF8521P2ByL is compatible with 1000BASE-X auto-negotiation, but does not have a link indication feature (RX\_LOS is internally grounded). See AN-2036, “Frequently Asked Questions Regarding Finisar’s 1000BASE-T SFPs”, for a more complete explanation on the differences between the two models and details on applications issues for the products. The FCLF8522ByL shall support both RX\_LOS pin for link indication and 1000BASE-X auto-negotiation.

**PRODUCT SELECTION**

<b>Part Number</b>	<b>Link Indicator on RX_LOS Pin</b>	<b>1000BASE-X auto-negotiation enabled by default</b>
FCLF8520P2ByL	Yes	No
FCLF8521P2ByL	No	Yes
FCLF8522P2ByL	Yes	Yes

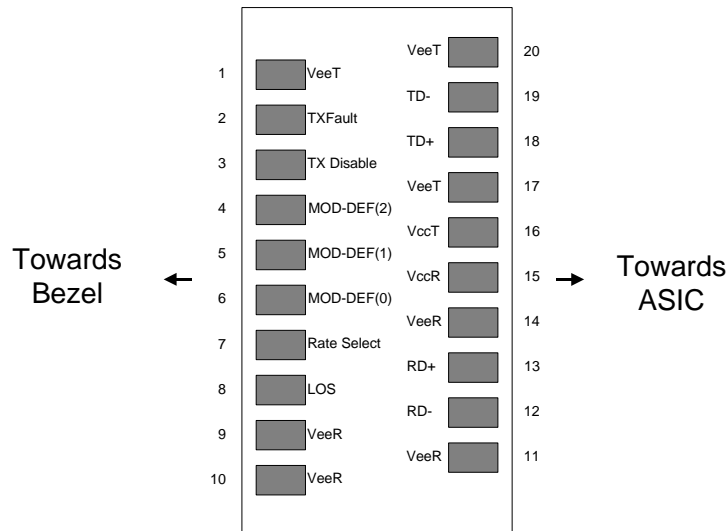
- y: T: Industry Temperature Range (-40°C to +85°C)
- C: Commercial Temperature Range (0°C to +70°C)

## I. SFP to Host Connector Pin Out

Pin	Symbol	Name/Description	Note
1	$V_{EET}$	Transmitter ground (common with receiver ground)	1
2	$T_{FAULT}$	Transmitter Fault. Not supported	
3	$T_{DIS}$	Transmitter Disable. PHY disabled on high or open	2
4	MOD_DEF(2)	Module Definition 2. Data line for serial ID	3
5	MOD_DEF(1)	Module Definition 1. Clock line for serial ID	3
6	MOD_DEF(0)	Module Definition 0. Grounded within the module	3
7	Rate Select	No connection required	
8	LOS	Loss of Signal indication.	4
9	$V_{EER}$	Receiver ground (common with transmitter ground)	1
10	$V_{EER}$	Receiver ground (common with transmitter ground)	1
11	$V_{EER}$	Receiver ground (common with transmitter ground)	1
12	RD-	Receiver Inverted DATA out. AC coupled	
13	RD+	Receiver Non-inverted DATA out. AC coupled	
14	$V_{EER}$	Receiver ground (common with transmitter ground)	1
15	$V_{CCR}$	Receiver power supply	
16	$V_{CCT}$	Transmitter power supply	
17	$V_{EET}$	Transmitter ground (common with receiver ground)	1
18	TD+	Transmitter Non-Inverted DATA in. AC coupled	
19	TD-	Transmitter Inverted DATA in. AC coupled	
20	$V_{EET}$	Transmitter ground (common with receiver ground)	1

- Notes:
1. Circuit ground is isolated from chassis ground
  2. PHY disabled on  $T_{DIS} > 2.0V$  or open, enabled on  $T_{DIS} < 0.8V$
  3. Should be pulled up with 4.7k – 10k Ohms on host board to a voltage between 2.0 V and 3.6 V. MOD\_DEF(0) pulls line low to indicate module is plugged in.
  4. LVTTTL compatible with a maximum voltage of 2.5V. Not supported on FCLF8521P2ByL.

**Table 1. SFP to host connector pin assignments and descriptions**



**Figure 1. Diagram of host board connector block pin numbers and names**

## II. +3.3V Volt Electrical Power Interface

The FCLF8520P2ByL, FCLF8521P2ByL and FCLF8522P2ByL have an input voltage range of 3.3 V +/- 5%. The 4 V maximum voltage is not allowed for continuous operation.

Parameter	Symbol	Min	Typ	Max	Units	Notes/Conditions
Supply Current	$I_s$		320	375	mA	1.2W max power over full range of voltage and temperature. See caution note below
Input Voltage	$V_{cc}$	3.13	3.3	3.47	V	Referenced to GND
Maximum Voltage	$V_{max}$			4	V	
Total Maximum Current including Surge Current	$I_{surge}$			405	mA	Hot plug above steady state current. See caution note below

Caution: Power consumption and surge current are higher than the specific values in the SFP MSA

**Table 2, +3.3 Volt electrical power interface**

## III. Low-Speed Signals

MOD\_DEF(1) (SCL) and MOD\_DEF(2) (SDA), are open drain CMOS signals (see section VII, “Serial Communication Protocol”). Both MOD\_DEF(1) and MOD\_DEF(2) must be pulled up to host\_Vcc.

Parameter	Symbol	Min	Max	Units	Notes/Conditions
SFP Output LOW	$V_{OL}$	0	0.5	V	4.7k to 10k pull-up to host_Vcc, measured at host side of connector
SFP Output HIGH	$V_{OH}$	host_Vcc - 0.5	host_Vcc + 0.3	V	4.7k to 10k pull-up to host_Vcc, measured at host side of connector
SFP Input LOW	$V_{IL}$	0	0.8	V	4.7k to 10k pull-up to Vcc, measured at SFP side of connector
SFP Input HIGH	$V_{IH}$	2	Vcc + 0.3	V	4.7k to 10k pull-up to Vcc, measured at SFP side of connector

**Table 3: Low-speed signals, electrical characteristics**

## IV. High-Speed Electrical Interface

All high-speed signals are AC-coupled internally.

### High-Speed Electrical Interface, Transmission Line - SFP

Parameter	Symbol	Min	Typ	Max	Units	Notes/Conditions
Line Frequency	$f_L$		125		MHz	5-level encoding, per IEEE 802.3
Tx Output Impedance	$Z_{out,TX}$		100		Ohm	Differential, for all frequencies between 1MHz and 125MHz
Rx Input Impedance	$Z_{in,RX}$		100		Ohm	Differential, for all frequencies between 1MHz and 125MHz

**Table 4: High-speed electrical interface, transmission line-SFP**

### High-Speed Electrical Interface, Host-SFP

Parameter	Symbol	Min	Typ	Max	Units	Notes/Conditions
Single ended data input swing	$V_{insing}$	250		1200	mV	Single ended
Single ended data output swing	$V_{outsing}$	275		800	mV	Single ended, can be modified by writing to the PHY's internal registers. For more details, see Marvell datasheet <sup>5</sup>
Rise/Fall Time	$T_r, T_f$		175		psec	20%-80%
Tx Input Impedance	$Z_{in}$		50		Ohm	Single ended
Rx Output Impedance	$Z_{out}$		50		Ohm	Single ended

**Table 5: High-Speed electrical interface, host-SFP**

## V. General Specifications

Parameter	Symbol	Min	Typ	Max	Units	Notes/Conditions
Data Rate	BR	10		1,000	Mb/sec	IEEE 802.3 compatible. See Notes 2 through 4 below
Cable Length	L			100	m	Category 5 UTP. BER <10 <sup>-12</sup>

**Table 6: General Specifications**

### Notes:

1. Clock tolerance is +/- 50 ppm
2. By default, the FCLF8520P2ByL, FCLF8521P2ByL and FCLF8522P2ByL are full duplex devices in preferred master mode
3. Automatic crossover detection is enabled. External crossover cable is not required
4. 10/100/1000 BASE-T operation requires the host system to have an SGMII interface with no clocks, and the module PHY to be configured per Application Note AN-2036. With a SERDES that does not support SGMII, the module will operate at 1000BASE-T only.

## VI. Environmental Specifications

Parameter	Symbol	Min	Typ	Max	Units	Notes/Conditions
Operating Temperature for FCLF852xP2BTL	T <sub>op</sub>	-40		85	°C	Case temperature
Operating Temperature for FCLF852xP2BCL	T <sub>op</sub>	0		70	°C	Case temperature
Storage Temperature	T <sub>sto</sub>	-40		85	°C	Ambient temperature

**Table 7: Environment specifications**

## VII. Serial Communication Protocol

All Finisar SFPs support the 2-wire serial communication protocol outlined in the SFP MSA<sup>1</sup>. These SFPs use an Atmel AT24C01A 128 byte E<sup>2</sup>PROM with an address of A0h. For details on interfacing with the E<sup>2</sup>PROM, see the Atmel data sheet titled “AT24C01A/02/04/08/16 2-Wire Serial CMOS E<sup>2</sup>PROM.”<sup>4</sup>

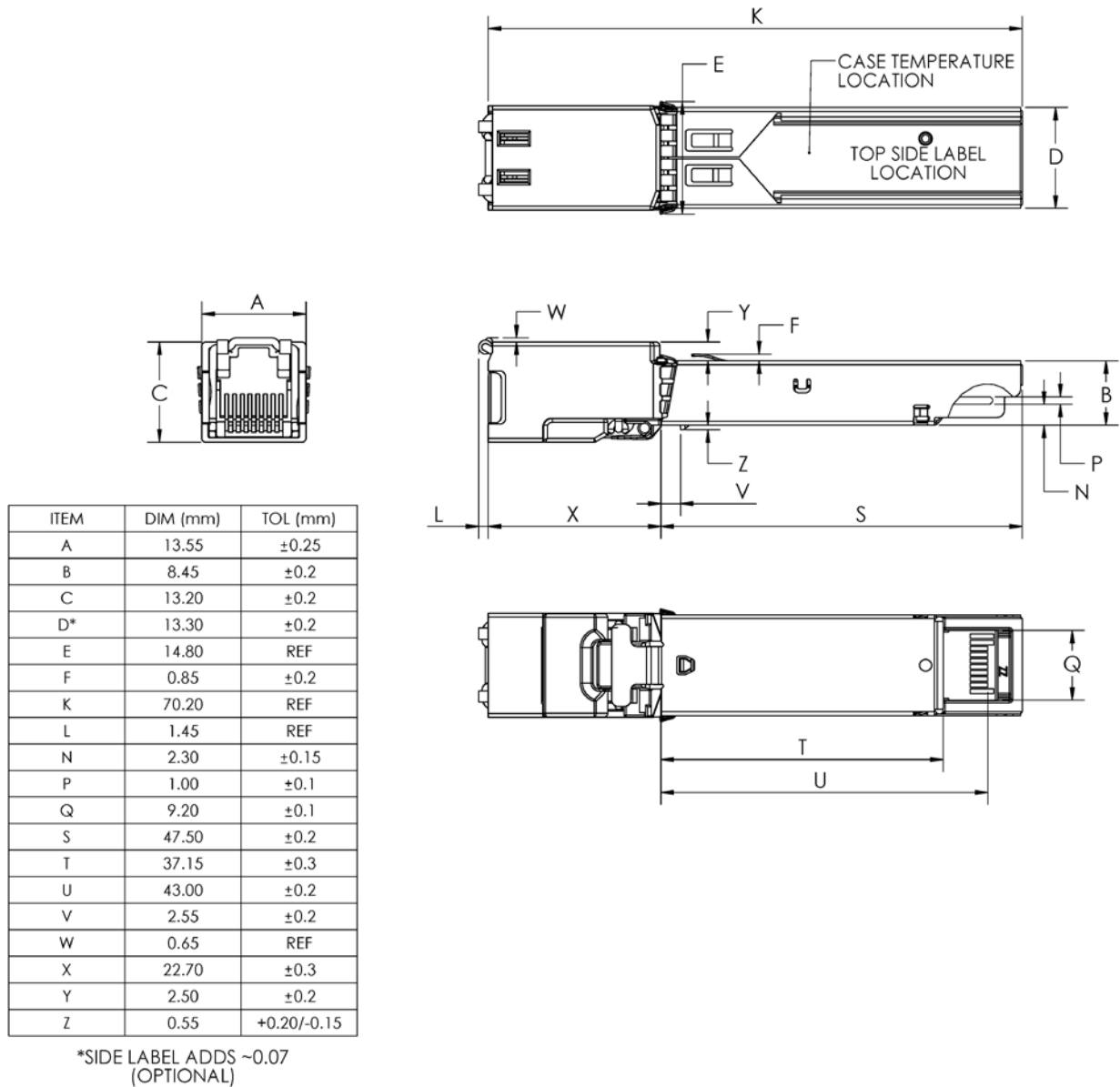
The 1000BASE-T physical layer IC can also be accessed via the 2-wire serial bus at address ACh. For details interfacing with the PHY IC, see Marvell data sheet titled “Alaska Ultra 88E1111 Integrated Gigabit Ethernet Transceiver”<sup>5</sup> (Marvell document number MV-S100649-00).

Parameter	Symbol	Min	Typ	Max	Units	Notes/Conditions
<b>I<sup>2</sup>C Clock Rate</b>		<b>0</b>		<b>100,000</b>	<b>Hz</b>	

**Table 8: Serial bus timing requirements**

### VIII. Mechanical Specifications

The host-side of the FCLF8520P2ByL, FCLF8521P2ByL and FCLF8522P2ByL conforms to the mechanical specifications outlined in the SFP MSA<sup>1</sup>. The front portion of the SFP (part extending beyond the face plate of the host) is larger to accommodate the RJ-45 connector. See Figure 2 below for details.



**Figure 2. FCLF8520P2ByL, FCLF8521P2ByL and FCLF8522P2ByL mechanical dimensions**

**IX. References**

1. Small Form Factor Pluggable (SFP) Transceiver Multi-Source Agreement (MSA), September 2000. Documentation is currently available at Finisar upon request.
2. IEEE Std 802.3, 2002 Edition. IEEE Standards Department, 2002
3. Directive 2011/65/EU of the European Council Parliament and of the Council, “on the restriction of the use of certain hazardous substances in electrical and electronic equipment”. 08-June 2011, which supercedes the previous ROHS Directive 2002/95/EC
4. “AT24C01A/02/04/08/16 2-Wire Serial CMOS E<sup>2</sup>PROM”, Atmel Corporation.  
[www.Atmel.com](http://www.Atmel.com)
5. “Alaska Ultra 88E1111 Integrated 10/100/1000 Gigabit Ethernet Transceiver”, Marvell Corporation. [www.marvell.com](http://www.marvell.com)

**For More Information:**

II-VI Incorporated  
375 Saxonburg Boulevard  
Saxonburg, PA 16056  
[photonics.sales@ii-vi.com](mailto:photonics.sales@ii-vi.com)  
[www.ii-vi.com](http://www.ii-vi.com)

## Looking for pricing, stock, or lifecycle information?

Click below to explore more details on WIN SOURCE:

 [View FCLF8521P2BTL on WIN SOURCE](#)

 [Coherent Information](#)

## Optimize Your Supply Chain with WIN SOURCE Solutions

-  Global Sourcing Solution
-  Obsolete Management
-  Cost Control Management
-  Shortage Management
-  Alternative Solution
-  Excess Inventory Management