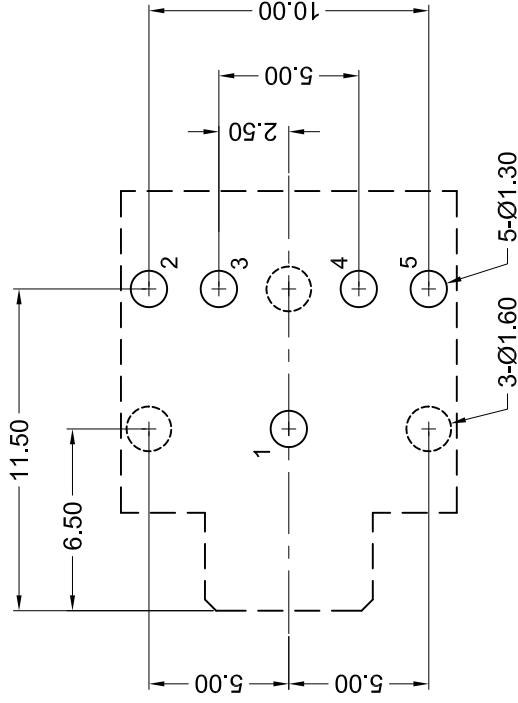
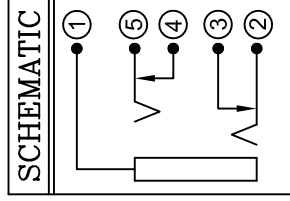
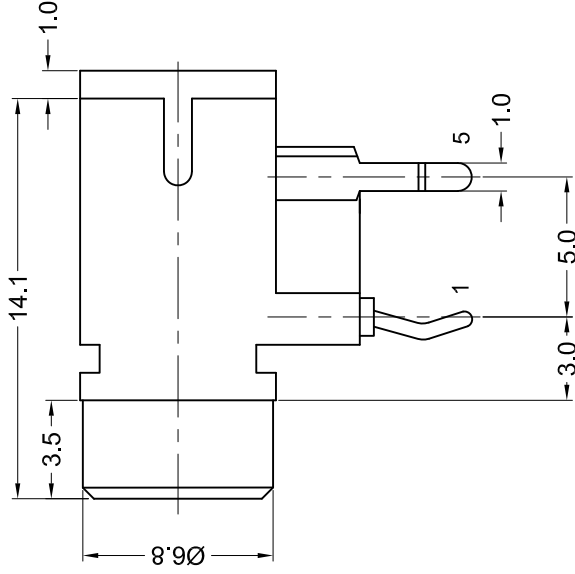
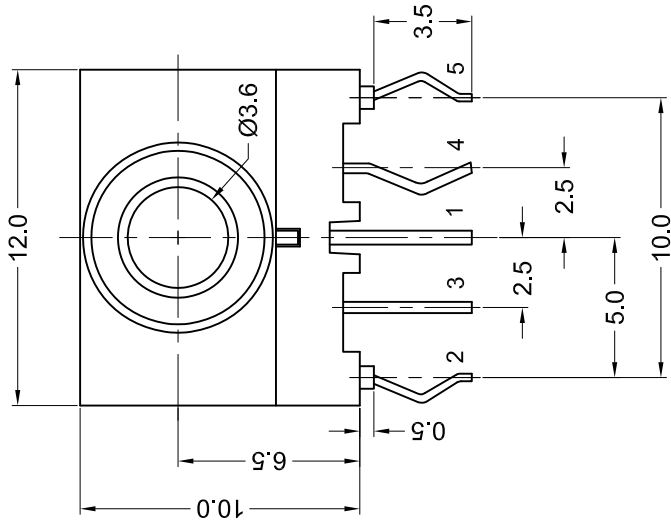




**THE DATASHEET OF
STX-3120-5B**





Recommended PCB Layout
(Top View)

REV.	DATE	DESCRIPTION	REV. BY	CHK. BY	DRAWN BY	DATE
A0	6/8/04	New Drawing	C. Leiva	H. MA	C. Leiva	6/8/04
A1	6/2/06	Release Drawing	H. MA	N/A		
B1	08/12/09	ECO #09-039	S. Vien	H. MA		
B2	11/11/10	ECO #10-078	S. Vien	H. MA		
B3	04/28/15	ECO #15-023	W. Cook	H. MA		

UNITS	DATE
mm	6/8/04

STX-3120-5B

Stereo Jack, 3.5mm, Right Angle, R
5 Position, Thru-Hole, All Plastic Bo



Looking for pricing, stock, or lifecycle information?

Click below to explore more details on WIN SOURCE:

 [View STX-3120-5B on WIN SOURCE](#)

 [Kycon, Inc. Information](#)

Optimize Your Supply Chain with WIN SOURCE Solutions

-  Global Sourcing Solution
-  Obsolete Management
-  Cost Control Management
-  Shortage Management
-  Alternative Solution
-  Excess Inventory Management