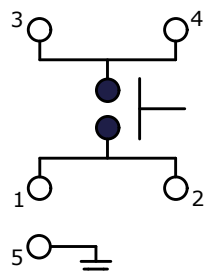
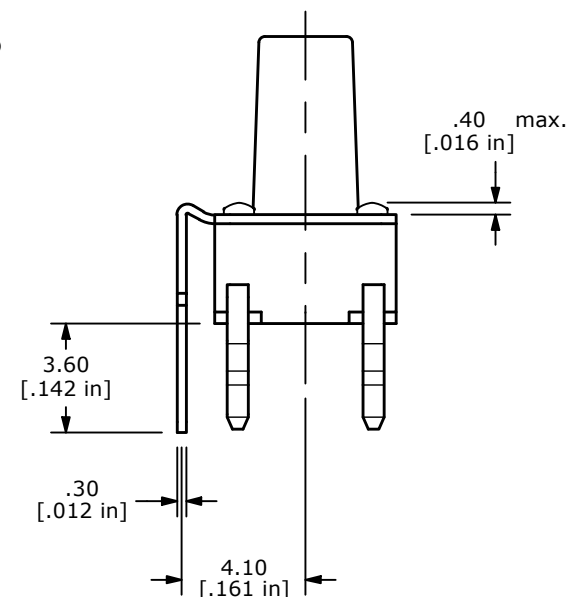
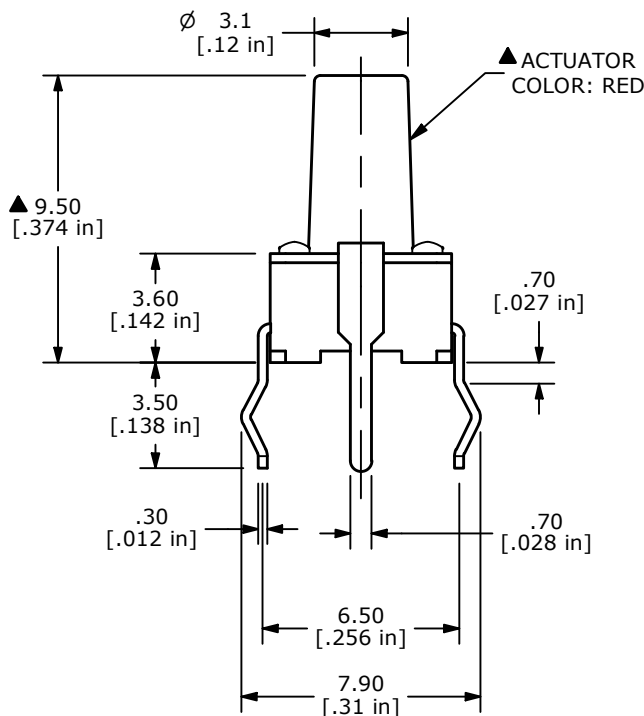
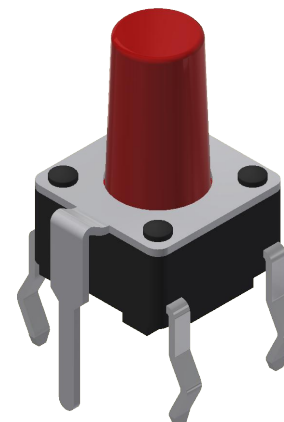
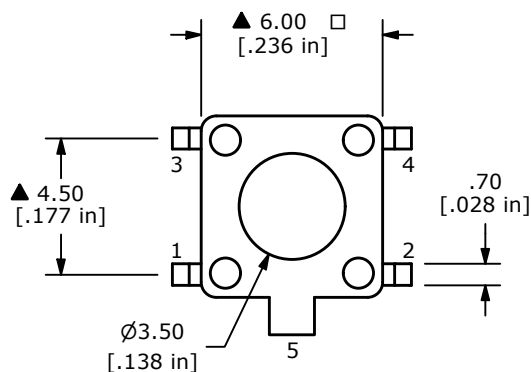


P.C.B LAYOUT



CIRCUIT: SPST ▲



- NOTES:
1. ALL DIMENSIONS IN MM [INCH]
 2. GENERAL TOLERANCE: X.X = ± 0.4
X.XX = ± 0.25
 3. TERM. NUMBERS FOR REF. ONLY.
 4. RATING: 50mA @ 12VDC
 - ▲ 5. OPERATING FORCE: 250 ± 50gf
 6. TRAVEL: 0.25 +0.2/-0.1mm
 7. CONTACT RESISTANCE: 100 mΩ MAX.
 - ▲ 8. CONTACT MATERIAL: SILVER
 9. DIELECTRIC STRENGTH: 250V RMS min.
 10. INSULATION RESISTANCE: 100 MEGAΩ min.
 11. ELECTRICAL LIFE: 100,000 CYCLES
 12. ▲ DENOTES CRITICAL PARAMETER.
 13. OPERATING TEMP: -40°C to 85°C
 14. PACKAGE: POLYBAG / 750 PIECES PER BAG

REV	ECO NO	DESCRIPTION	DATE	BY	E-SWITCH®			OBJECT ID	
C	ECO-102176	PRINT UPDATE	08/31/23	JS	TITLE TLE1105BF250Q			000017663	
THE INFORMATION CONTAINED IN THIS DOCUMENT IS PROPRIETARY TO E-SWITCH AND IS NOT TO BE COPIED OR TRANSFERRED					SCALE	DATE	DR	DWG	REV
					4:1	12/1/1998	MM	P010033	C

Looking for pricing, stock, or lifecycle information?

Click below to explore more details on WIN SOURCE:

 [View TLE1105AF160Q on WIN SOURCE](#)

 [E-SWITCH](#) Information

Optimize Your Supply Chain with WIN SOURCE Solutions

-  Global Sourcing Solution
-  Obsolete Management
-  Cost Control Management
-  Shortage Management
-  Alternative Solution
-  Excess Inventory Management