



**THE DATASHEET OF**  
**06IB2S**



# SPECIFICATION FOR APPROVAL



TO: \_\_\_\_\_

PART NO.		REV.		DELTA SAMPLE ISSUE NO	
PART NAME	EMI FILTER			DELTA MODEL	06IB2S
ORDER P/N.	06IB2S			SAMPLE ISSUE DATE	

1. ELECTRICAL CHARACTERISTICS:

- 1-1. VOLTAGE RATING ..... 115/250VAC
- 1-2. CURRENT RATING
  - A. AT 115VAC ..... 6 A RMS Max.
  - B. AT 250VAC ..... 6 A RMS Max.
- 1-3. OPERATING FREQUENCY..... 50/60 Hz
- 1-4. LEAKAGE CURRENT: EACH LINE TO GROUND
  - A. @115VAC 60Hz ..... 0.20 mA Max.
  - B. @250VAC 50Hz ..... 0.40 mA Max.
- 1-5. HIPOT RATING (FOR ONE MINUTE)
  - A. LINE TO GROUND ..... 2250VDC
  - B. LINE TO LINE ..... 1450VDC
- 1-6. TEMPERATURE RANGE: -25 TO +100 DEGREE C
- 1-7. MINIMUM INSERTION LOSS IN dB: (AT 50 OHM SYSTEM)

FREQ. MHz	.01	.05	.10	.15	.50	1.0	5.0	10	30
COM. MODE dB	/	2	5	8	15	20	32	40	25
DIF. MODE dB	/	2	5	8	15	15	30	35	35

1-8. SAFETY

REPORT BY	CHECKED BY	APPROVED BY		
			REV.	

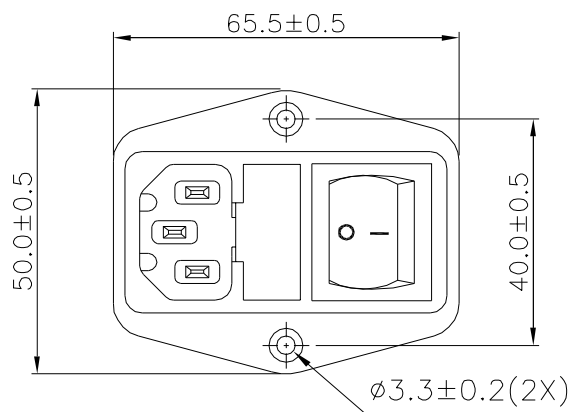
# SPECIFICATION FOR APPROVAL



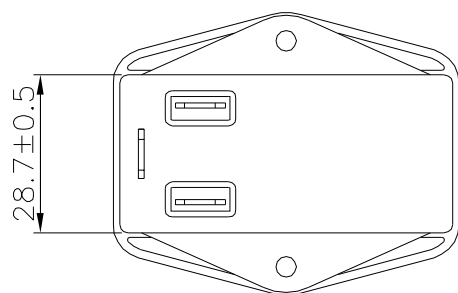
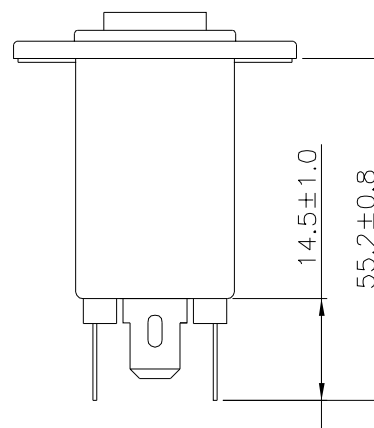
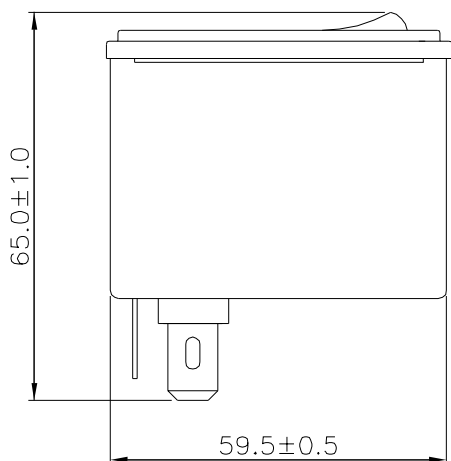
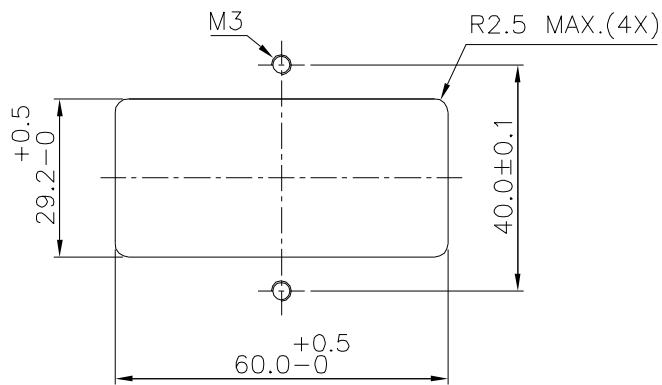
TO: \_\_\_\_\_

PART NO.		REV.		DELTA SAMPLE ISSUE NO	
PART NAME	EMI FILTER		DELTA MODEL		06IB2S
ORDER P/N.	06IB2S		SAMPLE ISSUE DATE		

## 2. PHYSICAL DIMENSIONS:

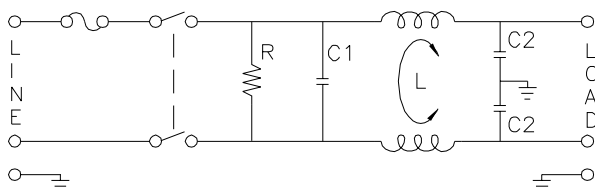


SUGGEST MOUNTING CUTOUT



UNIT: mm

## 3. SCHEMATIC:





L: 0.45mH  
 C1: 0.22uF  
 C2: 2200pF  
 R: 1.0MΩ

REPORT BY	CHECKED BY	APPROVED BY	UNLESS OTHERWISE SPECIFIED DIMENSION TOLERANCE DCEIMALS .X±      .XX±      ANGLES±		
			REV.		

## Looking for pricing, stock, or lifecycle information?

Click below to explore more details on WIN SOURCE:

-  [View 06IB2S on WIN SOURCE](#)
-  [Delta Electronics](#) Information

## Optimize Your Supply Chain with WIN SOURCE Solutions

-  Global Sourcing Solution
-  Obsolete Management
-  Cost Control Management
-  Shortage Management
-  Alternative Solution
-  Excess Inventory Management