



**THE DATASHEET OF**  
**4710-5722-0011-215-1100**



IEC Appliance Outlet J, Snap-in Mounting, Front Side, IDC Terminal, integrated Light Pipe, Color Coding



Arrangement "along", white  
 (wires along to pin axis)



Arrangement "cross", grey  
 (wires cross to pin axis)



Arrangement "cross", black  
 (wires cross to pin axis)

Order required accessories separately

type J



70° C

See below:

[Approvals and Compliances](#)

**Description**

- Panel mount :  
 Snap-in version , front side
- Connector , Pin temperature 70 °C , Protection class I
- Wire gauge 10AWG/6.0mm<sup>2</sup>, 12AWG/4.0mm<sup>2</sup>, 2.5mm<sup>2</sup>
- Light Pipe as an accessory, has to be ordered seperately
- Live contact as PCB terminal
- Protection cover can be used as wire press
- IDC terminals acc. to IEC 60998-2-3 for solid wires

**Unique Selling Proposition**

- Reduces labor costs
- Allows wiring of multiple terminals at once
- Light pipe for status indication
- Cord retention systems of V-Lock, P-Lock and TwyLock supported

The integration of light pipes in the appliance outlet provides status indication in smart PDUs. See PDU Landing Page for more information.

[Power Distribution Units](#)

**Other versions on request**

- Other panel thickness
- Live contact also available as IDC, solder or quick connect terminal
- Samples available in grey and white

**References**

Alternative: version for 10 A (15 A) [6610-5](#); [4710](#)

Alternative: version without light pipe

Last order date: 30.03.2025

Last delivery date: 30.06.2025

**Weblinks**

[pdf data sheet](#), [html datasheet](#), [General Product Information](#), [Approvals](#), [Distributor-Stock-Check](#), [Accessories](#), [Mounting instruction](#), [Detailed request for product](#), [Landing Page](#), [Video](#)

**Technical Data**

|                                   |   |                         |   |
|-----------------------------------|---|-------------------------|---|
| Ratings IEC                       | 16A / 250VAC; 50Hz  | Appliance inlet/-outlet | type J acc. to IEC 60320-3                                      |
| Ratings UL/CSA                    | 20A / 250VAC; 60Hz  |                         | UL 60320-1, CSA C22.2 no. 60320-1                               |
| Dielectric Strength               | > 2.5 kVAC between L-N  |                         | (for cold conditions) pin-temperature 70 °C, Protection Class I |
|                                   | > 1.5 kVAC between L/N-PE<br>(1 min/50Hz)                         |                         |   |
| Allowable Operation Temperature   | -25 °C to 70 °C   |                         |   |
| Protection against electric shock | Suitable for appliances with protection class I acc. to IEC 61140 |                         |   |
| Terminal                          | IDC terminals   |                         |   |
| Panel Thickness S                 | 1/1.2/1.5/2/2.5/3 mm  |                         |   |
| Material: Housing                 | Thermoplastic, UL 94V-0   |                         |   |

**Approvals and Compliances**

Detailed information on product approvals, code requirements, usage instructions and detailed test conditions can be looked up in [Details about Approvals](#)

SCHURTER products are designed for use in industrial environments. They have approvals from independent testing bodies according to national and international standards. Products with specific characteristics and requirements such as required in the automotive sector according to IATF 16949, medical technology according to ISO 13485 or in the aerospace industry can be offered exclusively with customer-specific, individual agreements by SCHURTER.

### Approvals

The approval mark is used by the testing authorities to certify compliance with the safety requirements placed on electronic products.  
 Approval Reference Type: 4710-5

| Approval Logo | Certificates  | Certification Body | Description                              |
|---------------|---------------|--------------------|--|
|               | VDE Approvals | VDE                | Certificate Number: 40042639             |
|               | UL Approvals  | UL                 | UR File Number: E103791                  |
|               | CCC Approvals | CCC                | CCC Certificate Number: 2018180204005080 |

### Product standards

Product standards that are referenced

| Organization | Design                | Standard              | Description   |
|--------------|-----------------------|-----------------------|---|
|              | Designed according to | IEC 60320-1           | Appliance couplers for household and similar general purposes         |
|              | Designed according to | IEC 60320-3           | Appliance couplers for household and similar general purposes         |
|              | Designed according to | UL 60320-1            | Standard for Attachment Plugs and Receptacles                         |
|              | Designed according to | CSA C22.2 no. 60320-1 | General Use Receptacles, Attachment Plugs, and Similar Wiring Devices |

### Application standards

Application standards where the product can be used

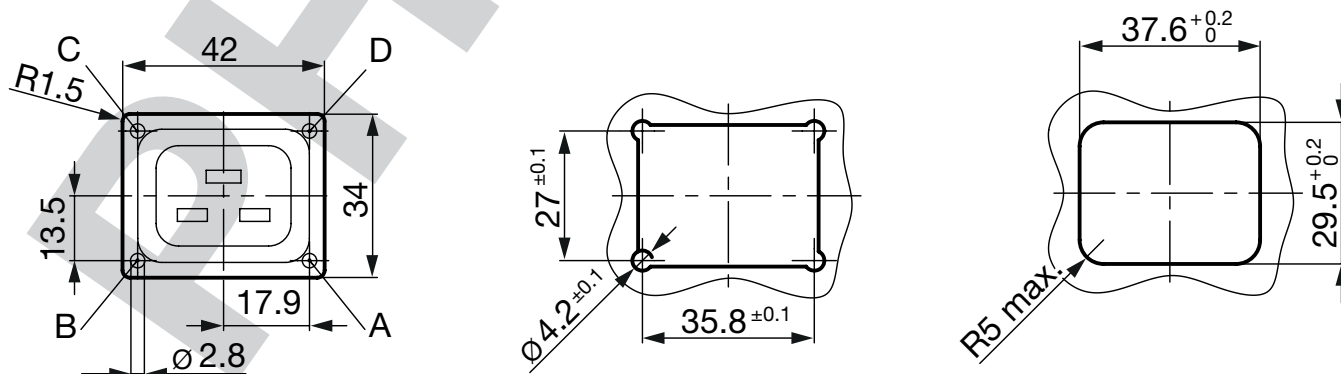
| Organization | Design                         | Standard       | Description   |
|--------------|--------------------------------|----------------|---|
|              | Suitable for applications acc. | IEC/UL 62368-1 | Audio/video, information and communication technology equipment - Part 1: Safety requirements |

### Compliances

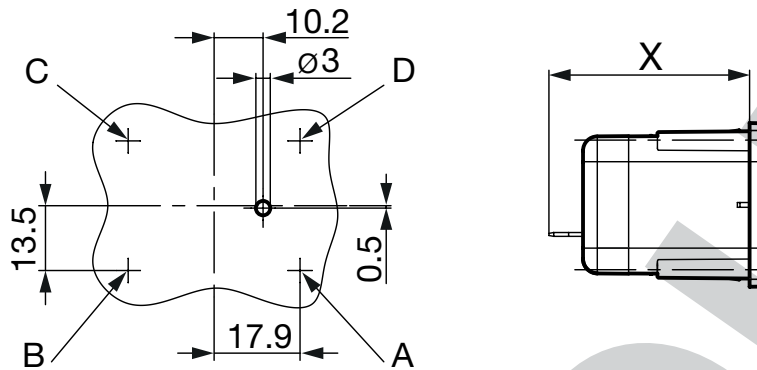
The product complies with following Guide Lines

| Identification | Details      | Initiator   | Description  |
|----------------|--------------|-------------|--|
|                | RoHS         | SCHURTER AG | Directive RoHS 2011/65/EU, Amendment (EU) 2015/863   |
|                | China RoHS   | SCHURTER AG | The law SJ / T 11363-2006 (China RoHS) has been in force since 1 March 2007. It is similar to the EU directive RoHS.   |
|                | Halogen Free | SCHURTER AG | SCHURTER strives to offer our customers halogen free products.   |
|                | REACH        | SCHURTER AG | On 1 June 2007, Regulation (EC) No 1907/2006 on the Registration, Evaluation, Authorization and Restriction of Chemicals 1 (abbreviated as "REACH") entered into force.  |
|                |              | SCHURTER AG | V-Lock system are based on a matching plug-dose combination. The connector is equipped with a notch intended for use with the latching cordset. The cord latching system prevents against accidental removal of the cordset. |

### Dimensions [mm]

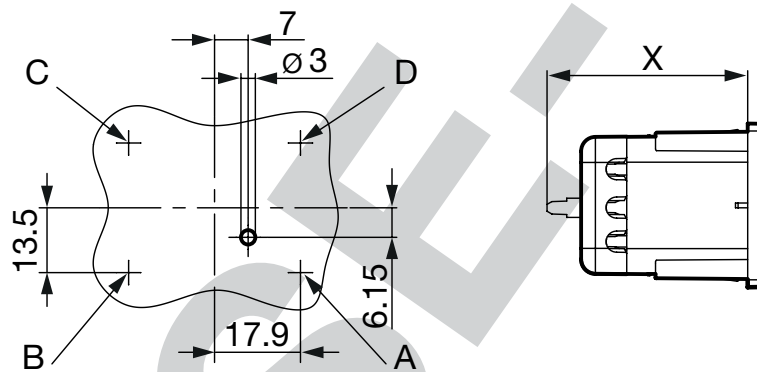


Version "along" (wires along to pin axis)



Length X in mm  
Solder terminal: 44.1  
Quick-connect terminal: 43.7  
PCB terminal: 41.8

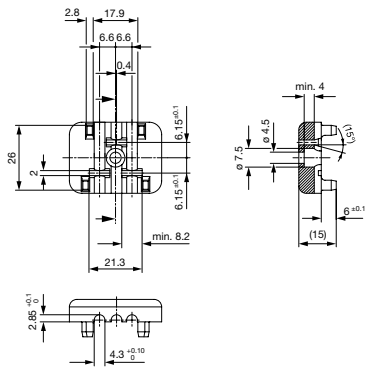
Version "cross" (wires cross to pin axis)



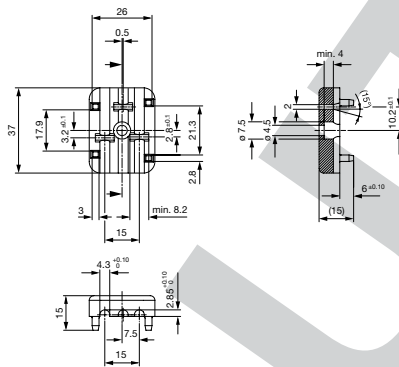
Length X in mm  
Solder terminal: 41.7  
Quick-connect terminal: 43.7  
PCB terminal: 41.8

**Assembly Instructions**

Wire press version "cross"



Wire press version "along"



- Please see the mounting instructions for a more detailed description of the assembly. [Mounting instruction](#)
- You can find the CAD files for wire press tools in the downloads. [CAD-Drawings](#)

**Variants**

| Alignment 1) | Terminal type live contact | Conductor cross section      | Panel Thickness [mm] | Light Pipe Position - A | Light Pipe Position - B | Light Pipe Position - C | Light Pipe Position - D | Color | Order Number |
|--------------|----------------------------|------------------------------|----------------------|-------------------------|-------------------------|-------------------------|-------------------------|-------|--------------|
| along        | PCB terminals              | 2.5 mm <sup>2</sup>          | 1.5                  |                         | ●                       | ●                       |                         | black | 3-110-012    |
| along        | PCB terminals              | 4.0 mm <sup>2</sup> / 12 AWG | 1.5                  |                         | ●                       | ●                       |                         | black | 3-103-026    |
| along        | PCB terminals              | 2.5 mm <sup>2</sup>          | 2.0                  |                         | ●                       | ●                       |                         | black | 3-110-013    |
| along        | PCB terminals              | 4.0 mm <sup>2</sup> / 12 AWG | 2.0                  |                         | ●                       | ●                       |                         | black | 3-110-014    |
| cross        | PCB terminals              | 2.5 mm <sup>2</sup>          | 1.5                  |                         |                         | ●                       | ●                       | black | 3-110-015    |
| cross        | PCB terminals              | 4.0 mm <sup>2</sup> / 12 AWG | 1.5                  |                         |                         | ●                       | ●                       | black | 3-110-016    |
| cross        | PCB terminals              | 2.5 mm <sup>2</sup>          | 2.0                  |                         |                         | ●                       | ●                       | black | 3-110-020    |
| cross        | PCB terminals              | 4.0 mm <sup>2</sup> / 12 AWG | 2.0                  |                         |                         | ●                       | ●                       | black | 3-110-021    |

Availability for all products can be searched real-time: <https://www.schurter.com/en/info-center/support-tools/stock-check-distributors>

Articles with 2.5 mm<sup>2</sup> only with ENEC approval. Outer diameter of wire (including insulation) max. 4.5 mm.

1) The alignment describes whether the wires are along or across to the connector pin axis.

**Packaging unit**

50 Pcs

**Required Accessory**

Description



Light\_Pipe  
 Transparent Plexiglas Light Pipe



**Mating Inlets/Plugs**

Category / Description



[Plug Overview complete](#)

|  |      |
|--|------|
| 4796, Mounting: Power Cord, Cable, Plug: IEC I | 4796 |
| 4789, Mounting: Power Cord, Screw, Plug: IEC I | 4789 |

**Mating Inlets/Plugs shuttered**



[Interconnection Cord Overview complete](#)

|   |           |
|---|-----------|
| VAC19KS, Interconnection, V-Lock cord retaining, 2.0 m, Connector IEC C19, H05VV-F3G1.5 / SJT 3x14 AWG, black | 3-100-362 |
| VAC19KS, Interconnection, V-Lock cord retaining, 3.0 m, Connector IEC C19, H05VV-F3G1.5 / SJT 3x14 AWG, black | 3-100-363 |
| VAC19KS, Interconnection, V-Lock cord retaining, 1.0 m, Connector IEC C19, H05VV-F3G1.5, black                | 6051.2147 |
| VAC19KS, Interconnection, V-Lock cord retaining, 1.0 m, Connector IEC C19, H05VV-F3G1.5 / SJT 3x14 AWG, black | 6051.2197 |

PHASE!

## Looking for pricing, stock, or lifecycle information?

Click below to explore more details on WIN SOURCE:

- [View 4710-5722-0011-215-1100 on WIN SOURCE](#)
- [Schurter Inc. Information](#)

## Optimize Your Supply Chain with WIN SOURCE Solutions

- ✓ Global Sourcing Solution
- ✓ Obsolete Management
- ✓ Cost Control Management
- ✓ Shortage Management
- ✓ Alternative Solution
- ✓ Excess Inventory Management