



**THE DATASHEET OF
FL1P-12QW-2-R24V**





Mallory Sonalert Products, Inc.

Part #: **FL1P-12QW-2**
12.5mm Panel Light

Sales Outline Drawing

Revision: **C**

Specifications:

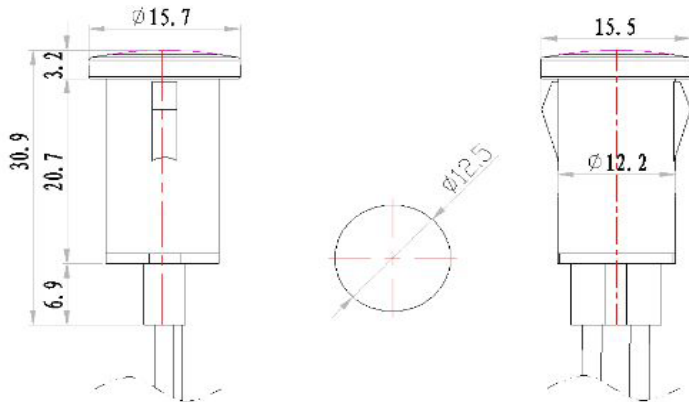
Panel Hole	12.5 mm
Voltage Type	AC/DC
LED Color Available	Red, Green, Blue, Yellow, or White
Lens Color	Same as LED
Rated Voltage Available	See table below
Max Current Draw	20 mA
Storage & Operating Temperature	-15 °C to +80 °C
Ingress Protection Rating	IP50
LED Life	70,000 hours
Weight (Typical)	4.9 g
Housing Material	PA66
Termination Type	Wires
Wire Specification	7.3" (185mm) PVC AWG22
Panel Thickness	up to 0.09" (2.3mm)

RoHS Compliant

Dimensions (mm):

Part Number:

FL1P-12QW-2-X#V



B=Blue
 G=Green
 R=Red
 Y=Yellow
 W=White

Rated Voltage

Lead color may vary

Length for reference only.

	Light Intensity	Dominant Wavelength	Viewing Angle
Red	1000 -1500 mcd	622 nm	35°
Green	8000 -10000 mcd	522 nm	60°
Yellow	1000 -1500 mcd	590 nm	35°
Blue	2000 - 3000 mcd	464 nm	35°

Rated Voltage	2 VAC/DC	3 VAC/DC	6 VAC/DC	12 VAC/DC	24 VAC/DC	48 VAC/DC	110 VAC/DC	220 VAC/DC	380 VAC/DC
Red	1.8-2.2V	2.7-3.3V	5.4-6.6V	10.8-13.2V	21.6-26.4V	43.2-52.8V	99-121V	198-242V	342-418V
Green	N/A	3-3.2V	5.4-6.6V	10.8-13.2V	21.6-26.4V	43.2-52.8V	99-121V	198-242V	342-418V
Blue	N/A	3.12-3.2V	5.4-6.6V	10.8-13.2V	21.6-26.4V	43.2-52.8V	99-121V	198-242V	342-418V
Yellow	2-2.2V	2.7-3.3V	5.4-6.6V	10.8-13.2V	21.6-26.4V	43.2-52.8V	99-121V	198-242V	342-418V
White	N/A	3-3.2V	5.4-6.6V	10.8-13.2V	21.6-26.4V	43.2-52.8V	99-121V	198-242V	342-418V

Looking for pricing, stock, or lifecycle information?

Click below to explore more details on WIN SOURCE:

- ⊖ [View FL1P-12QW-2-R24V on WIN SOURCE](#)
- ⊖ [Mallory Sonalert Products Inc. Information](#)

Optimize Your Supply Chain with WIN SOURCE Solutions

- ✓ Global Sourcing Solution
- ✓ Obsolete Management
- ✓ Cost Control Management
- ✓ Shortage Management
- ✓ Alternative Solution
- ✓ Excess Inventory Management