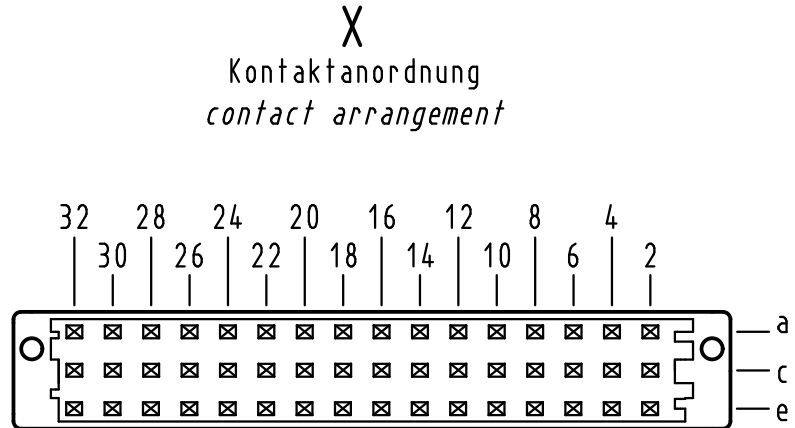
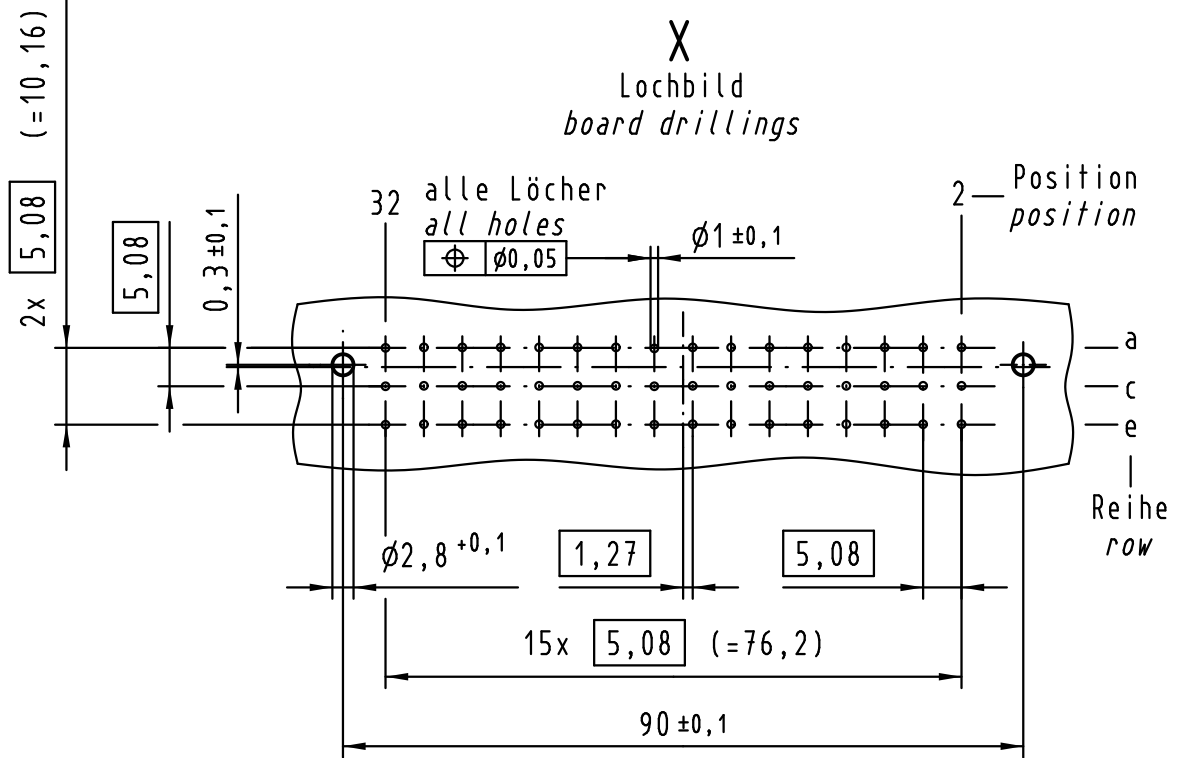




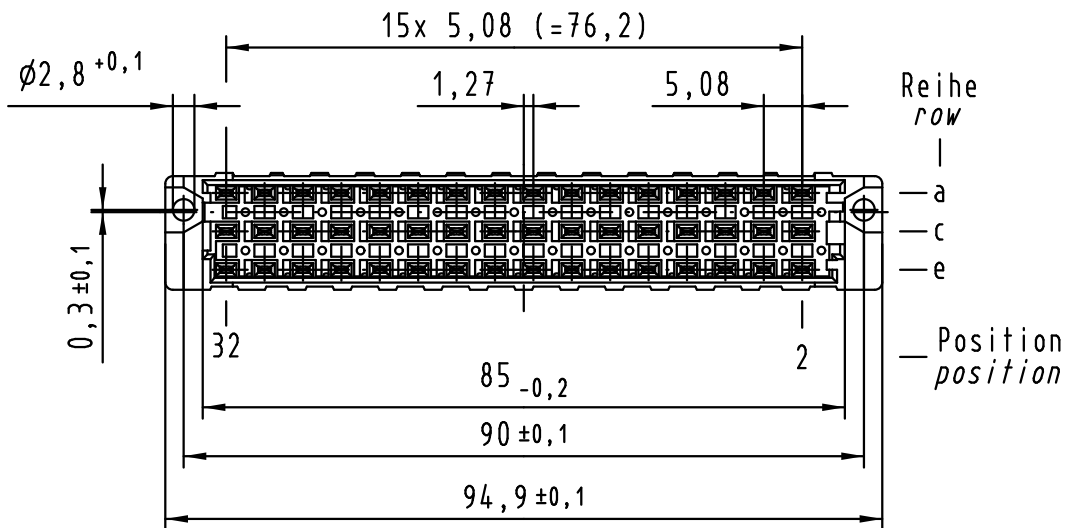
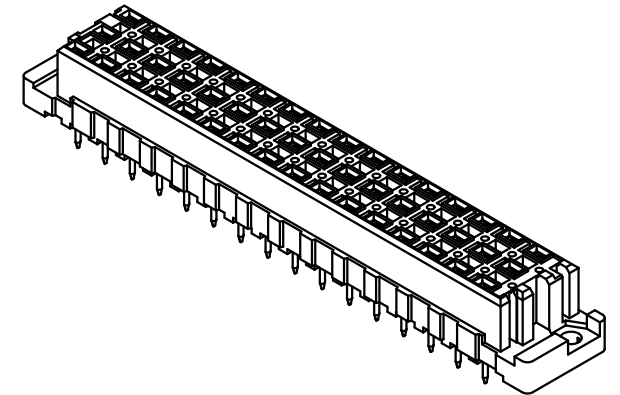
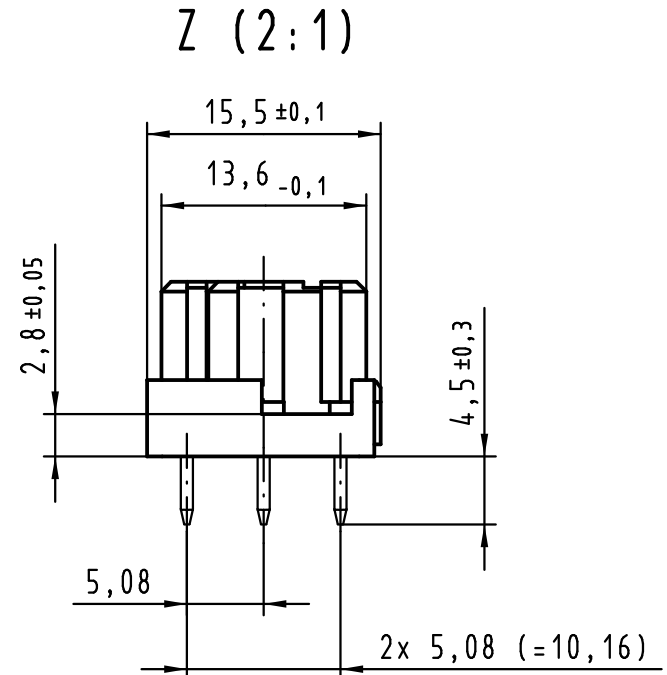
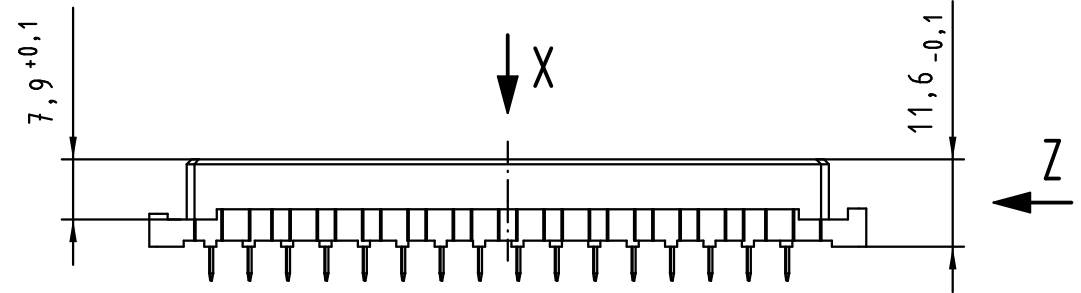
Alle Rechte vorbehalten/ All rights reserved



48 Einlöt Kontakte  
48 solder contacts

☒ = Kontaktposition belegt  
= position with contact

☐ = Kontaktposition nicht belegt  
= position without contact



① weitere Informationen siehe: DS 09 04 210 00 01  
further information see: DS 09 04 210 00 01

09 05 248 7831	3
09 05 248 6831	2
09 05 248 2831	1
Bestell-Nr. part-no.	Anforderungsstufe performance level ①

All Dimensions in mm Original Size DIN A 3		Techn. Character.			Nicht tolerierte Maßel Free size tolerances IEC 60603-2	
		Dat.	Name	Maßstab/Scale	<b>Bauform / type D</b> Federleiste Einlöt 4,5 48-polig female connector solder 4.5 48-pole	
		Detail.	28.08.03 Hage.	1:1		
		Insp.	28.08.03 kfoe.			
		Stand.				
36466	13.12.11	Hage.	HARTING Electronics GmbH & Co. KG		TB 09 05 248 x831	Blatt/ page
31633			D-32339 ESPELKAMP			
Mod.	Dat.	Name			Sub.	

## Looking for pricing, stock, or lifecycle information?

Click below to explore more details on WIN SOURCE:

 [View 09052482831222](#) on WIN SOURCE

 [HARTING](#) Information

## Optimize Your Supply Chain with WIN SOURCE Solutions

-  Global Sourcing Solution
-  Obsolete Management
-  Cost Control Management
-  Shortage Management
-  Alternative Solution
-  Excess Inventory Management