



THE DATASHEET OF 20TDHG6



SPECIFICATION FOR APPROVAL



TO: _____

PART NO.		REV.		DELTA SAMPLE ISSUE NO	
PART NAME	EMI FILTER			DELTA MODEL	20TDHG6
ORDER P/N.	20TDHG6			SAMPLE ISSUE DATE	

1. ELECTRICAL CHARACTERISTICS:

1-1. VOLTAGE RATING 250VAC

1-2. CURRENT RATING

A. AT 115VAC 20 A RMS Max.

B. AT 250VAC 20 A RMS Max.

1-3. OPERATING FREQUENCY..... 50/60 Hz

1-4. LEAKAGE CURRENT: EACH LINE TO GROUND

A. @115VAC 60Hz 0.45 mA Max.

B. @250VAC 50Hz 0.90 mA Max.

1-5. HIPOT RATING (FOR ONE MINUTE)

A. LINE TO GROUND 2250VDC

B. LINE TO LINE 1450VDC

1-6. TEMPERATURE RANGE: -25 TO +100 DEGREE C

1-7. MINIMUM INSERTION LOSS IN dB: (AT 50 OHM SYSTEM)

FREQ. MHz	.01	.05	.10	.15	.50	1.0	5.0	10	30
COM. MODE dB	2	5	12	15	25	28	38	40	35
DIF. MODE dB	0	5	12	15	25	28	50	55	40

REPORT BY	CHECKED BY	APPROVED BY			
			REV.		

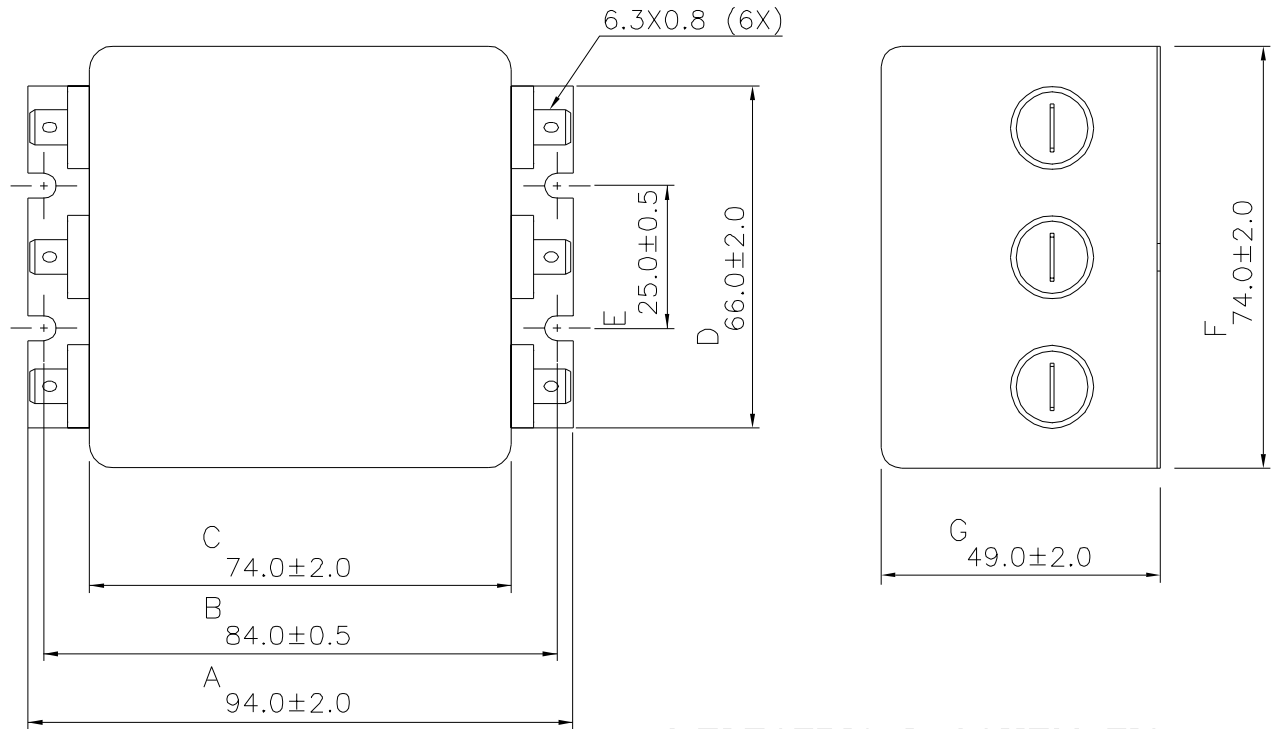
SPECIFICATION FOR APPROVAL



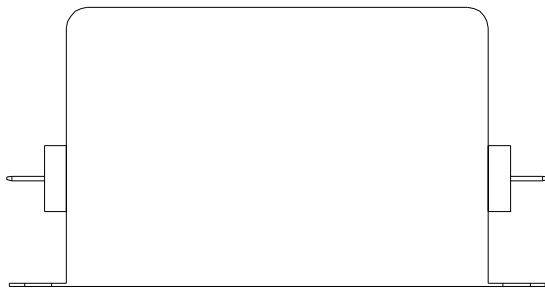
TO: _____

PART NO.		REV.		DELTA SAMPLE ISSUE NO	
PART NAME	EMI FILTER		DELTA MODEL		20TDHG6
ORDER P/N.	20TDHG6		SAMPLE ISSUE DATE		

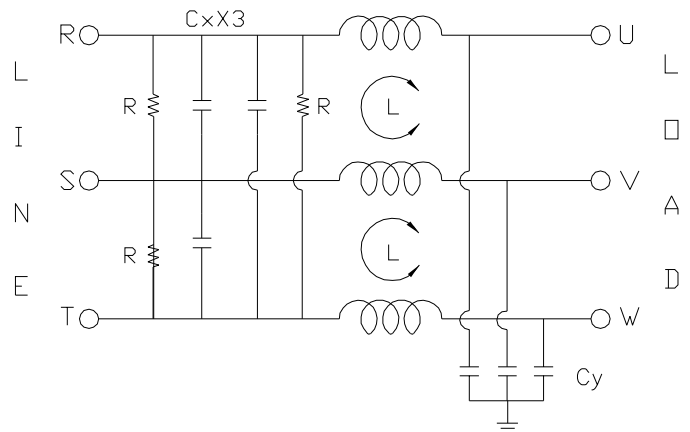
2. PHYSICAL DIMENSIONS:



UNIT: mm



3. ELECTRICAL SCHEMATIC:



L: 0.5mH
 Cx: 0.22uF
 Cy: 4700pF
 R: 680KΩ

REPORT BY	CHECKED BY	APPROVED BY	UNLESS OTHERWISE SPECIFIED DIMENSION TOLERANCE DCEIMALS .X± .XX± ANGLES±		
			REV.		

Looking for pricing, stock, or lifecycle information?

Click below to explore more details on WIN SOURCE:

 [View 20TDHG6](#) on WIN SOURCE

 [Delta Electronics](#) Information

Optimize Your Supply Chain with WIN SOURCE Solutions

-  Global Sourcing Solution
-  Obsolete Management
-  Cost Control Management
-  Shortage Management
-  Alternative Solution
-  Excess Inventory Management