



**THE DATASHEET OF
CAB.6009**



SPECIFICATION

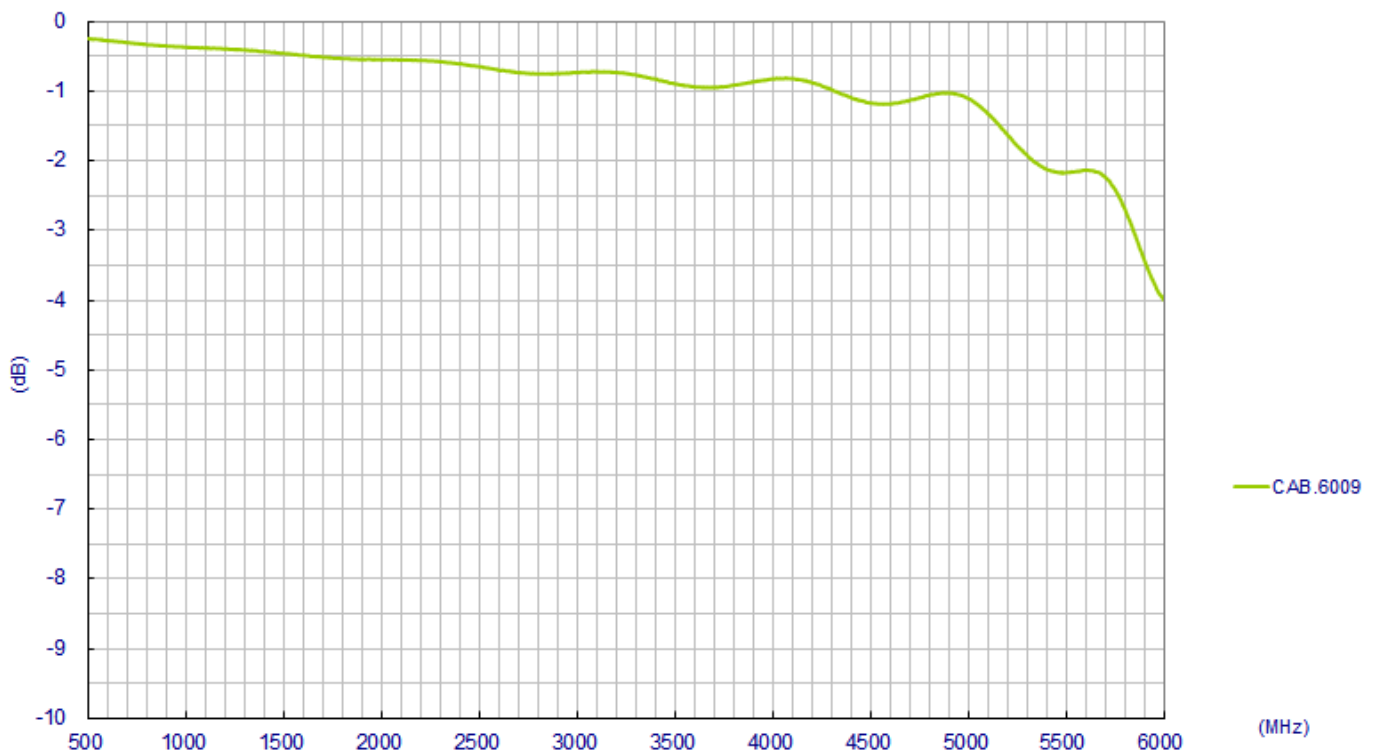
Part No. : **CAB.6009**

Product Name : Taoglas Cable Assembly
TNC(F) Jack with O-Ring to 100mm(3.94") 1.37 to IPEX
MHFHT(U.FL comp)

Photo :

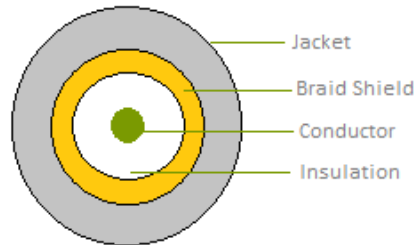


1. Cable Insertion Loss

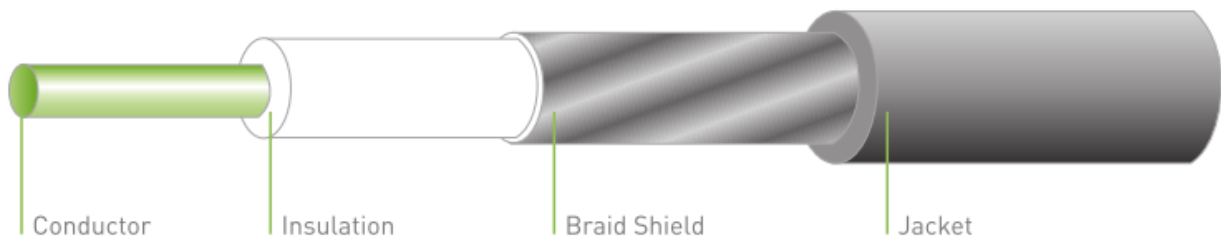


2. 1.37 Cable Specification

2.1 Drawing – Cross Section



2.2 Structure and Dimensions



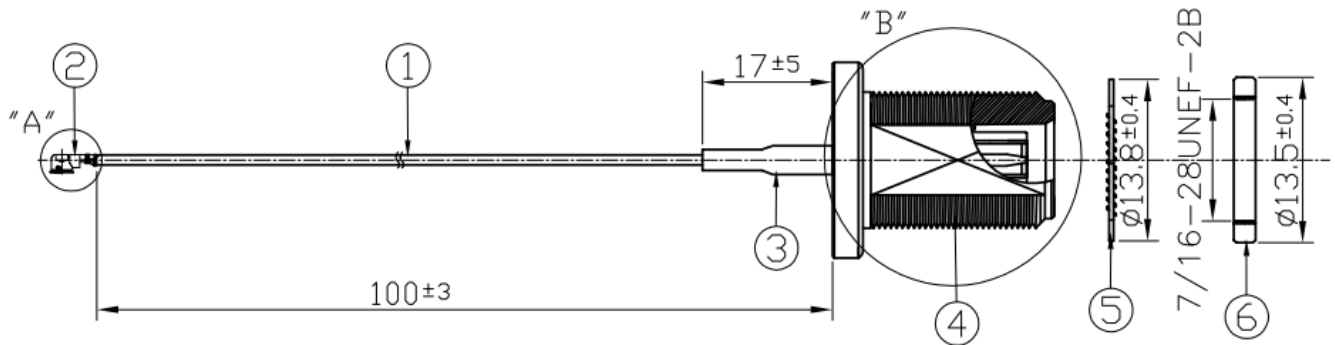
- | | | | |
|--|---|--|--|
| <ul style="list-style-type: none"> • Material – Silver Coated Copper • 30AWG(7/0.102mm) • Diameter - 0.31mm | <ul style="list-style-type: none"> • Material – FEP • Avg. Thickness- 0.30mm • Diameter – $0.92 \pm 0.03\text{mm}$ • Color - Clear | <ul style="list-style-type: none"> • Material–Tinned-Coated Copper • Structure – 16/6/0.050mm\pm0.003 • Coverage – 95% • Diameter – $1.15 \pm 0.05\text{mm}$ | <ul style="list-style-type: none"> • Material – FEP • Avg. Thickness- 0.13mm • Diameter – $1.37 \pm 0.05\text{mm}$ • Color – Grey GY-08/Black |
|--|---|--|--|

2.3 Electrical & Physical Specification

1	Item:	30 AWG		
2	Rating Temp Voltage:	105°C 30V UL 1979		
3	Insulation Resistance:	3000 MEGA OHM-KM Min.		
4	Conductor Resistance:	335 OHM/KM/20°C Max.		
5	Dielectric Strength:	AC 1.0 KV/minute		
6	Spark test:	2.5 KV		
7	Insulation	Unaged	Tensile Strength	2500 PSI Min.(1.76Kg/mm ²)
			Elongation	200% min.
	Aged	Tensile Strength	Unaged Min 75%(168HRS*232°C)	
		Elongation	Unaged Min 75%(168HRS*232°C)	
8	Jacket	Unaged	Tensile Strength	2500 PSI Min.(1.76Kg/mm ²)
			Elongation	200% min.
	Aged	Tensile Strength	Unaged Min 75%(168HRS*232°C)	
		Elongation	Unaged Min 75%(168HRS*232°C)	
9	Nom. Impedance	50 ± 3 Ohms		
10	Nom. Capacitance	96 ± 3 pF/m		
11	Nom. Vel. Of Prop.	69%		
12	VSWR (0-6GHz)	Max 1.3		
13	Flame Test	VW-1 OK		
14	Thermal Shock	Less 1mm at 232°C/1 HR		
13	Bend Radius	9mm min.		
14	Attenuation (dB/1M)	2.0GHz	2.20	
		2.4GHz	2.60	
		3.0GHz	2.80	
		4.0GHz	3.40	
		5.0GHz	3.80	
		6.0GHz	4.30	

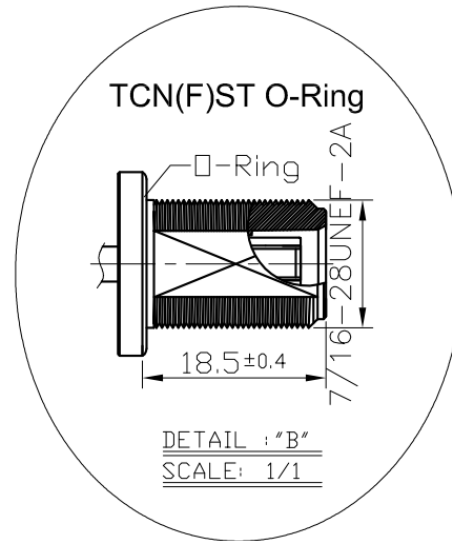
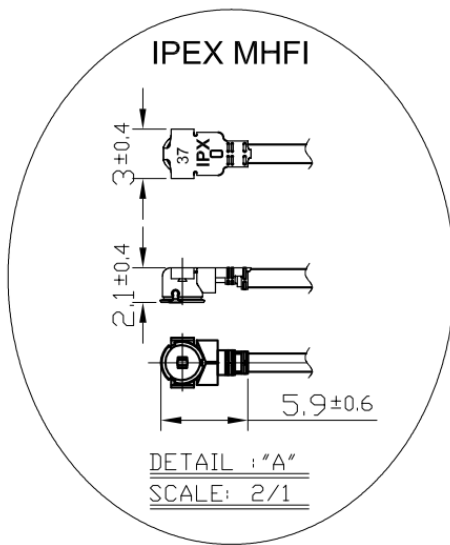
3. Technical Drawing

3.1 CAB.6009



	Name	Material	Finish	QTY
1	1.37 Coaxial Cable	FEP	Black	1
2	IPEX MHFI Connector	Brass	Gold	1
3	Heat Shrink Tube	PE	Black	1
4	TNC(F)ST O-Ring	Brass	Ni Plated	1
5	TNC Washer	Brass	Ni Plated	1
6	TNC NUT	Brass	Ni Plated	1

3.2 Connectors



Looking for pricing, stock, or lifecycle information?

Click below to explore more details on WIN SOURCE:

 [View CAB.6009](#) on WIN SOURCE

 [Taoglas Limited](#) Information

Optimize Your Supply Chain with WIN SOURCE Solutions

-  Global Sourcing Solution
-  Obsolete Management
-  Cost Control Management
-  Shortage Management
-  Alternative Solution
-  Excess Inventory Management