



THE DATASHEET OF
972-025-01SR031



SPECIFICATIONS:

MATERIALS:

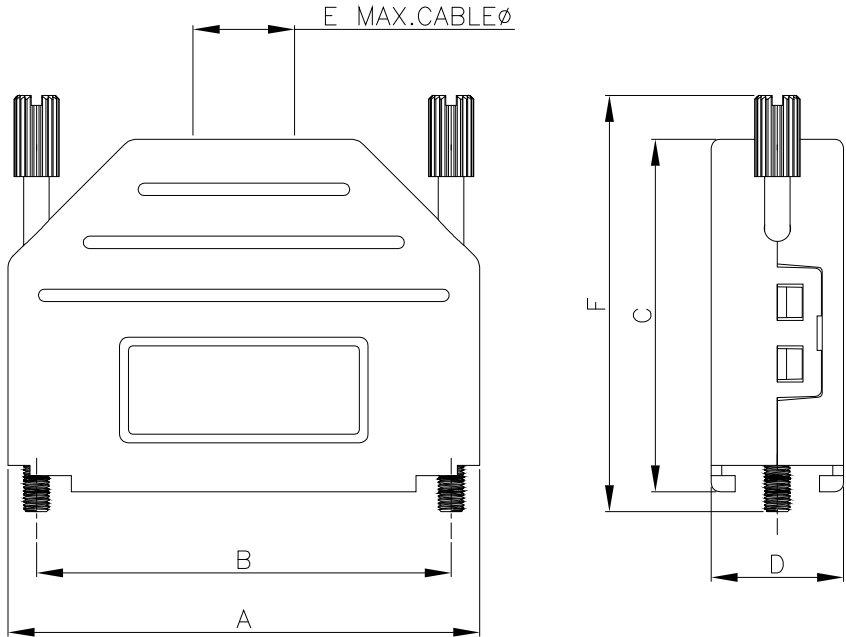
HOUSING: PA66, UL94 HB
 THUMBSCREWS: BLACK OXIDE PLATE STEEL (BLACK HOODS)
 ZINC PLATED STEEL (COLORED HOODS)

MECHANICAL:

RATED TORQUE STRAIN: 4 in/lbs MAX
 RELIEF SCREWS:

ENVIRONMENT:

OPERATING TEMPERATURE: -55°C TO +110°C



PACKAGING VARIANT "1" INCLUDES ALL COMPONENT COMBINED WITHIN INDIVIDUAL KITS:

- (1x) BACKSHELL
- (2x) #4-40 THUMBSCREWS
- (1x) PLASTIC STRAIN RELIEF CLAMP
- (1x) METAL STRAIN RELIEF CLAMP
- (2x) STRAIN RELIEF SCREWS

PACKAGING VARIANT "2" INCLUDES EACH COMPONENT SEPARATE IN BULK PACKAGES:

- (200x) BACKSHELL
- (400x) #4-40 THUMBSCREWS
- (200x) PLASTIC STRAIN RELIEF CLAMP
- (200x) METAL STRAIN RELIEF CLAMP
- (400x) STRAIN RELIEF SCREWS

972-025-01SRYY1

SERIES _____
 POSITION _____
 025 = STANDARD DENSITY DSUB
 MATERIAL _____
 01S = PA66 PLASTIC
 COLOR _____
 01 = BLACK (PANTONE 3C)
 03 = LIGHT GREY (PANTONE 427C)
 04 = GREEN (PANTONE 7731C)
 06 = RED (PANTONE 186C)
 07 = BLUE (PANTONE 2190C)
 08 = YELLOW (PANTONE 108C)
 11 = DEC GREY (PANTONE 7527C)
 PACKAGING _____
 1 = INDIVIDUAL COMBINED COMPONENT KITS
 2 = BULK SEPARATE COMPONENTS

DIMENSIONS						
	A±0.8mm ±0.032in	B±0.3mm ±0.012in	C±0.5mm ±0.020in	D±0.5mm ±0.020in	E	F±0.5mm ±0.020in
025	53.50mm	47.04mm	40.00mm	15.00mm	11.50mm	47.20mm
	2.106in	1.852in	1.575in	0.591in	0.453in	1.858in

RoHS COMPLIANT

UNITS = "as indicated" **DO NOT SCALE FROM DRAWING**

NC THESE DRAWINGS AND SPECIFICATIONS ARE THE PROPERTY OF NorComp AND SHALL NOT BE REPRODUCED, COPIED OR USED AS THE BASIS FOR THE MANUFACTURE OR SALE OF APPARATUS WITHOUT WRITTEN PERMISSION.

DRAWN: M. SIGMON
 DATE: 07/06/2015

NorComp

SCALE: NTS SHEET 1 OF 1 REV 2
 DWG NO. 972-025-01SRYY1

Looking for pricing, stock, or lifecycle information?

Click below to explore more details on WIN SOURCE:

 [View 972-025-01SR031 on WIN SOURCE](#)

 [NorComp Inc. Information](#)

Optimize Your Supply Chain with WIN SOURCE Solutions

-  Global Sourcing Solution
-  Obsolete Management
-  Cost Control Management
-  Shortage Management
-  Alternative Solution
-  Excess Inventory Management